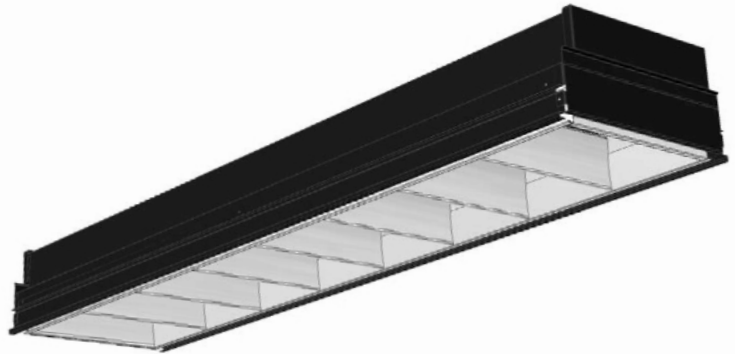


VPA Recessed Fluorescent VPA1G8LW132

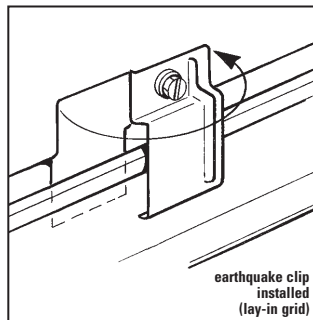
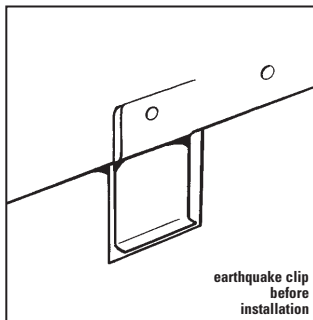
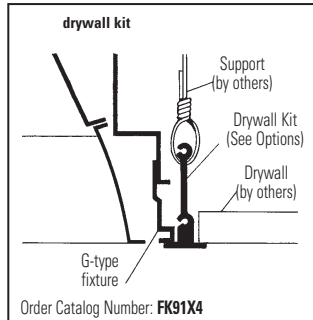
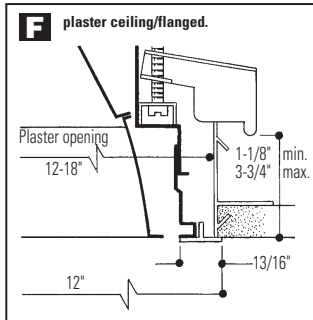
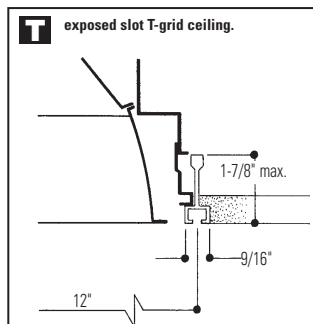
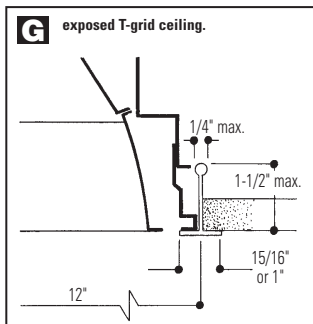
Page 1 of 2

12" x 48", 8 Cell (1 Row) Parabolic Louver, Static or Air Supply/Return
1 Lamp T8 or T5, IES RP1 For VDT Areas

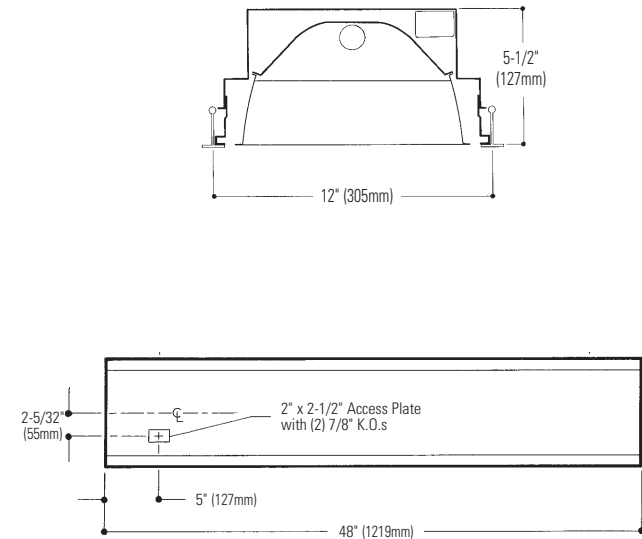
- Meets IES RP1 for lighting VDT areas with intense use.
- 70.0% efficient (1 Lamp T8) semi-specular louver.
- 74.4% efficient (1 Lamp T8) specular louver.
- 1.7 spacing mounting ratio (semi-specular louver).
- 1.8 spacing mounting ratio (specular louver).
- Vertical grain on louver eliminates reflected lamp images on the cross baffle.
- Louver frame with positive light stop.
- Spring-loaded latches, (self-centering).
- Reversible louver hinging.
- Louver has protective dust guard.
- Only 5-1/2" deep.
- Black housing for cooler ballast operating temperature.
- Turned-in edges for safe handling.
- Built-in earthquake clips.
- Air closure strips (optional).
- Construction to meet NYC Code or Chicago Plenum requirements is available.



Mounting Methods



Dimensions



Job Information	Type:
Job Name:	
Cat. No.:	
Lamp(s):	
Volts/Ballast:	

Lightolier a Genlyte company www.lightolier.com
 Technical Information: (978) 657-7600 • Fax (978) 658-0595
 631 Airport Road, Fall River, MA 02720 • (508) 679-8131 • Fax (508) 674-4710
 We reserve the right to change details of design, materials and finish.
 © 2005 a Genlyte company **Section 2/Folio G05-09**

LIGHTOLIER



VPA Recessed Fluorescent VPA1G8LW132

Page 2 of 2

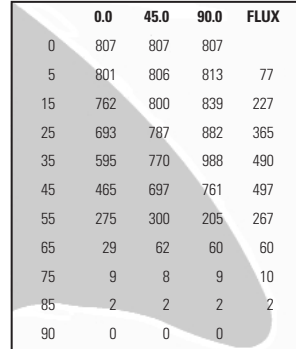
12" x 48", 8 Cell (1 Row) Parabolic Louver, Static or Air Supply/Return
1 Lamp T8 or T5, IES RP1 For VDT Areas

Model No. VPA1G8LW132120SO

LER = FP - 48.3 IW - 38.0 BF - 0.92
Comparative yearly lighting energy cost per
1000 lumens = \$5.00

Report Number: G2005189
Catalog Number: VPA1G8LW132120SO
Lamps: F32/T8 TL841
Luminaire: VPA 1' x 4' with white reflector
and 8 cell low iridescence semi-specular
louver.
Ballast: SYL QT2X32T8/120 ISN-SC
Report is based on 2850 Lumens per lamp.
Efficiency: 70.0%
CIE Type-Direct-Indirect
Plane: 0-Deg 90-Deg
Spacing Criteria: 1.2 1.7
Shielding Angles: 90 90
Plane: 0-Deg 90-Deg
Luminous Length: 46.200 9.480

CANDELA DISTRIBUTION



COEFFICIENTS OF UTILIZATION - ZONAL CAVITY METHOD. EFFECTIVE FLOOR CAVITY REFLECTANCE 0.20

RC	80	50	30	10	50	30	10
1	78	76	73	71	69	68	67
2	72	68	64	61	59	62	60
3	67	61	56	58	54	51	56
4	62	55	49	52	48	45	47
5	57	49	44	47	43	39	46
6	53	45	39	43	38	35	42
7	49	41	35	39	34	31	38
8	46	37	32	36	31	28	35
9	43	34	29	33	28	25	32
10	40	31	26	30	26	23	30

LUMINANCE DATA IN CANDELA/SQ. METER

AVERAGE IN DEG.	AVERAGE 0-DEG.	AVERAGE 45-DEG.	AVERAGE 90-DEG.
45	2326.	3487.	3807.
55	1702.	2220.	1264.
65	243.	519.	502.
75	123.	109.	123.
85	81.	81.	81.

ZONAL LUMEN SUMMARY

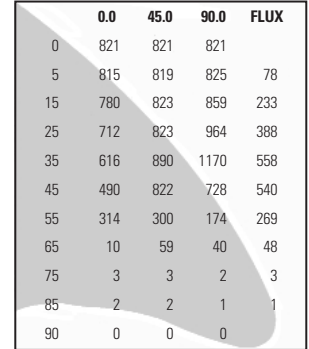
ZONE	LUMENS	% LAMP	% FIXT
0- 30	669	23.5	33.5
0- 40	1159	40.7	58.1
0- 60	1923	67.5	96.4
0- 90	1995	70.0	100.0
90-180	0	0.0	0.0
0-180	1995	70.0	100.0

Model No. VPA1G8PW132120SO

LER = FP - 52.4 IW - 37.0 BF - 0.92
Comparative yearly lighting energy cost per
1000 lumens = \$4.58

Report Number: G2005091
Catalog Number: VPA1G8PW132120SO
Lamps: F32/T8 TL841
Luminaire: VPA 1' x 4' with white reflector
and 8 cell specular louver.
Ballast: Triad B2321120
Report is based on 2850 Lumens per lamp.
Efficiency: 74.4%
CIE Type-Direct-Indirect
Plane: 0-Deg 90-Deg
Spacing Criteria: 1.2 1.8
Shielding Angles: 90 90
Plane: 0-Deg 90-Deg
Luminous Length: 46.200 9.480

CANDELA DISTRIBUTION



COEFFICIENTS OF UTILIZATION - ZONAL CAVITY METHOD. EFFECTIVE FLOOR CAVITY REFLECTANCE 0.20

RC	80	50	30	10	50	30	10
1	83	80	78	76	74	72	71
2	77	72	68	68	65	63	66
3	71	65	60	62	58	55	60
4	66	58	53	56	51	48	54
5	61	53	47	50	46	42	49
6	57	48	42	46	41	37	45
7	52	43	37	42	37	33	41
8	49	40	34	38	33	30	37
9	46	36	31	35	30	27	34
10	43	33	28	32	27	24	32

LUMINANCE DATA IN CANDELA/SQ. METER

AVERAGE IN DEG.	AVERAGE 0-DEG.	AVERAGE 45-DEG.	AVERAGE 90-DEG.
45	2452.	4113.	3642.
55	1937.	1887.	1073.
65	84.	494.	335.
75	41.	41.	27.
85	81.	81.	41.

ZONAL LUMEN SUMMARY

ZONE	LUMENS	% LAMP	% FIXT
0- 30	700	24.5	33.0
0- 40	1258	44.1	59.3
0- 60	2067	72.5	97.5
0- 90	2120	74.4	100.0
90-180	0	0.0	0.0
0-180	2120	74.4	100.0

Ordering Information

Explanation of Catalog Number. Example: VPA1G8LW132120SOGLR

VP 3" Deep Pre-anodized Aluminum Louver for Normal VDT use	VP Standard VP	VY For NYC Code - I.B.E.W. Manufactured	V3 For NYC Code - Local 3 Manufactured	1 Body Style: A= Air Handling S= Static	1 Fixture Width	8 Number of Cells: 1 row of 8 cells	W Louver Finish: L=Low Iridescence Semi- specular (standard) P=Low iridescence specular	1 Single White Reflector	1 Lamp Quantity: 1=1 Lamp	32 Lamp Type/ Fixture Length: 32=T8 (Nominal 48")	120, 277 or UNV=120-277 Voltage:	<20THD <10THD Ballast Type: SO* HI* PI† PG†† PS -	Options: Add appropriate suffix to catalog no., ie: (GLR)
--	--------------------------	---	--	---	------------------------------	--	---	--	---	--	--	---	---

Options/Accessories

Access Plate: Top wiring access plate is shipped with fixture as standard. When access plates are required in advance for wiring convenience, specify separately. Order Catalog Number: **ACP CSP**.

Fusing: Internal fast-blow fusing. SUFFIX **GLR**.
Internal slow-blow fusing. SUFFIX **GMF**.

Radio Interference Filter: To order one RIF per fixture: SUFFIX: **R**. To order one RIF per ballast: SUFFIX: **B**.

Air Closure Strip: SUFFIX: **ACS4** (factory installed).

Chicago Plenum: SUFFIX: **C**.

Drywall Kit: Order Catalog Number: **FK91X4**.

Specifications

Air Handling: (VRA only) side air passages for air supply or return.

Optional Side Closure Strips: Air return is also provided through the lamp compartment through fixture body ends.

Materials: Chassis parts are die-formed code gauge cold rolled steel with side rails hemmed end and housing ends turned-in for safe handling. Louver is pre-anodized aluminum (Coilzak® or equal).

Specifications (continued)

Finish: Chassis exterior—black baked polyester enamel. Cavity—white baked polyester enamel minimum 86% reflectance. Phosphate undercoating. Louver—low iridescence semi-specular anodized vertical grain aluminum reflector sheet is standard.

Electrical: Thermally protected class "P" ballast C.B.M. approved, non PCB. If K.O. is with-in 3" of ballast, use wire suitable for at least 90°.

Labels: I.B.E.W. UL and ULc Listed.

Job Information Type:

Lightolier a Genlyte company www.lightolier.com
Technical Information: (978) 657-7600 • Fax (978) 658-0595
631 Airport Road, Fall River, MA 02720 • (508) 679-8131 • Fax (508) 674-4710
We reserve the right to change details of design, materials and finish.
© 2005 a Genlyte company Section 2/Folio G05-09

LIGHTOLIER®