

VP PARABOLIC VPA1G12PR132

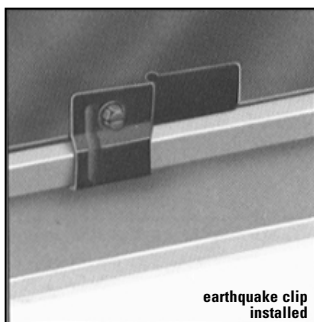
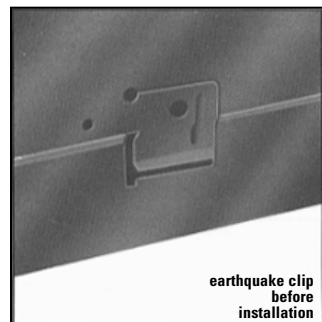
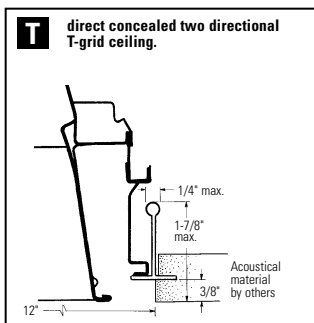
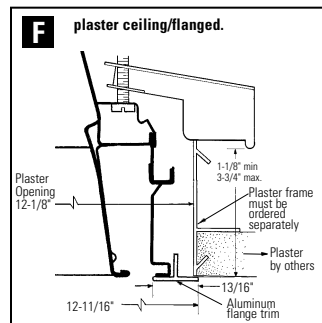
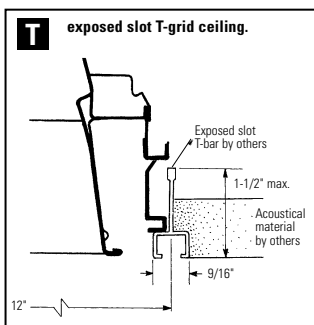
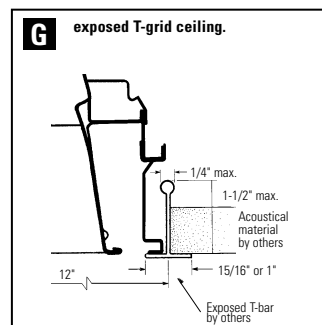
1'x4' RECESSED FLUORESCENT, 3" DEEP, 12 CELL (1 ROW) PARABOLIC LOUVER
 STATIC OR AIR SUPPLY/RETURN, IES RP1 FOR INTENSE VDT USE (PREFERRED)

Features

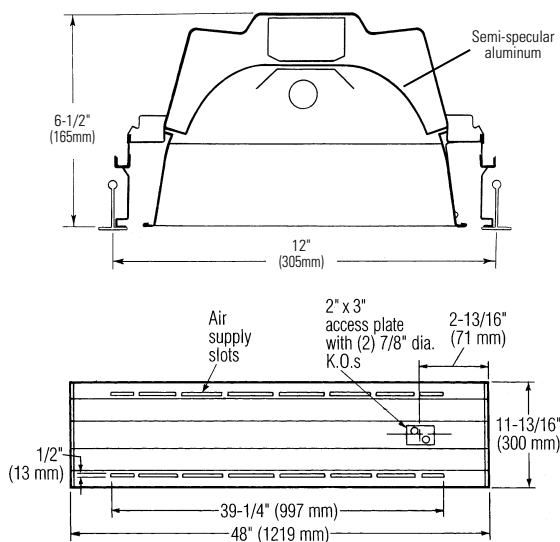
- Meets IES RP1 for lighting VDT areas with intense use.
- 72.0% efficient (T8).
- 1.6 spacing mounting ratio.
- Specular, low iridescence, pre-anodized aluminum louver.
- Vertical grain on louver eliminates reflected lamp image on cross baffle.
- Louver frame with positive light stop.
- Spring loaded latches (self centering).
- Reversible louver hinging.
- Louver has protective dust guard.
- Only 6-5/8" deep body.
- Black housing exterior for cooler ballast operating temperature.
- Turned-in edges for safe handling.
- Built-in earthquake clip.
- UL-Listed twin knockout access plate.
- Air closure strips (optional).
- Construction to meet NYC Code or Chicago Plenum is available.



MOUNTING METHODS



DIMENSIONS



Job Information

Type:

Job Name:

Cat. No.:

Lamp(s):

Volts/Ballast:

Lightolier a Genlyte Thomas Company

www.lightolier.com

Technical Information: (978) 657-7600 • Fax (978) 658-0595

631 Airport Road, Fall River, MA 02720 • (508) 679-8131 • Fax (508) 674-4710

We reserve the right to change details of design, materials and finish.

© 2002 Genlyte Thomas Group LLC (Lightolier Division)

A0902

SECTION 2/Folio G05-10 REV. A

LIGHTOLIER®

