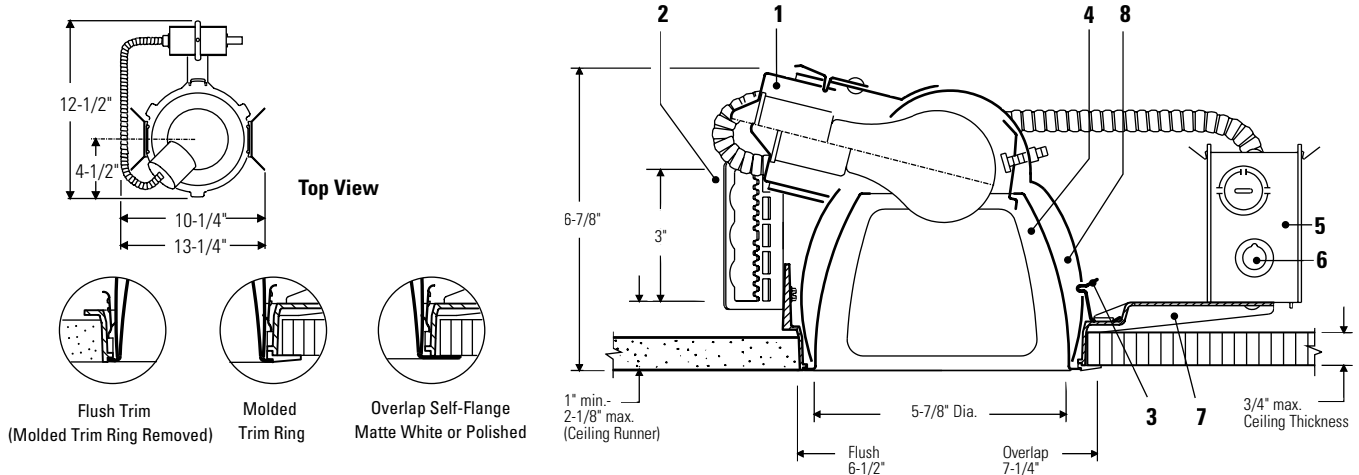




Calculite® Incandescent Open Wall Washer **V7009**



Ceiling Cutout: 6 9/16" Dia.

Reflector Trims					Frame-In Kit	Lamp
	Finish	White Self-Flange	Polished Self-Flange	Flush/White Molded Trim Ring		
Wall Washer	Specular Clear Specular Gold	V7009CLW W7009GDW	V7009CLP W7009GDP	V7009CL W7009GD	V611 Clear W612 Gold	A19 100W A21 150W
Corner Wall Washer	Specular Clear Specular Gold	V7010CLW W7010GDW	V7010CCLP W7010GDP	V7010CCL W7010GD	V611 Clear W612 Gold	A19 100W A21 150W
Double Wall Washer	Specular Clear Specular Gold	V7011CLW W7011GDW	V7011CLP W7011GDP	V7011CL W7011GD	V611 Clear W612 Gold	A19 100W A21 150W

Features

- Socket Cup:** Heat-dissipating die-formed aluminum contains medium base porcelain socket with nickel plated screw shell wired with No 18 SF1 leads to J-Box. Installs on reflector with positive position locking springs to assure proper optical alignment of lamp to reflector. Attached without tools. Can be adjusted without tools to accommodate two different lamp sizes.
- Mounting Brackets:** Adjust vertically from inside of fixture. Durable 16 ga. steel construction. Use with standard 3/4" or 1 1/2" lathing channels, or 1/2" (11/16" O.D.) EMT pipe (by others) or Lightolier accessory mounting bars.
- Retaining Springs:** Precision tooled springs secure reflector housing to mounting frame for quick tool-less installation.
- Insert Reflector:** Alzak® aluminum, 16 ga., "cut-window" reflector allows light to pass to a separately contoured outer housing reflector. 50° visual cut-off to lamp and lamp image. Insert reflector contours provide even down-lighting. Direction of wall wash can be re-oriented after installation. Attaches with thumb screws for simple installation and maintenance.
- Junction Box:** 14 ga. steel, 4" x 3 1/2" x 2" box allows inspection from below.
- Thermal Protector:** Meets NEC and UL requirements. Insulation must be kept 3" away from fixture sides and wiring compartments and must not be placed above fixture in a manner which will entrap heat
- Mounting Frame:** Die-cast aluminum suitable for dry or plaster ceilings. Provides flangeless trim in plaster ceiling.
- Wall Wash Reflector/Housing:** Specular clear or gold 16 ga. Alzak® aluminum to match insert reflector. Attaches to mounting frame with springs. Detachable for inspection from below fixture. Reflector provides even wall wash. Must be installed before ceiling is finished.

Options & Accessories

- 18" Mounting Bars** 1950 (set of 2)
- 27" Mounting Bars** 1951 (set of 2)
- T-Bar Anchor Clips** 1956 (set of 4, for 1950 & 1951 bars)
- Wood Joist Mtg. Bars** 7994 (set of 2)
- Existing Ceiling Clips** 7998 (set of 2)
- Step Down Transformer** 7997 (see separate specification sheet)
- Chicago Air Plenum** LC (add suffix to Frame-in Kit)

Consult factory for other reflector finish options.

Electrical

UL Listed for a maximum of 8 No. 12, 75°C through branch circuit conductors, or 60°C supply conductors forend of run.

Labels

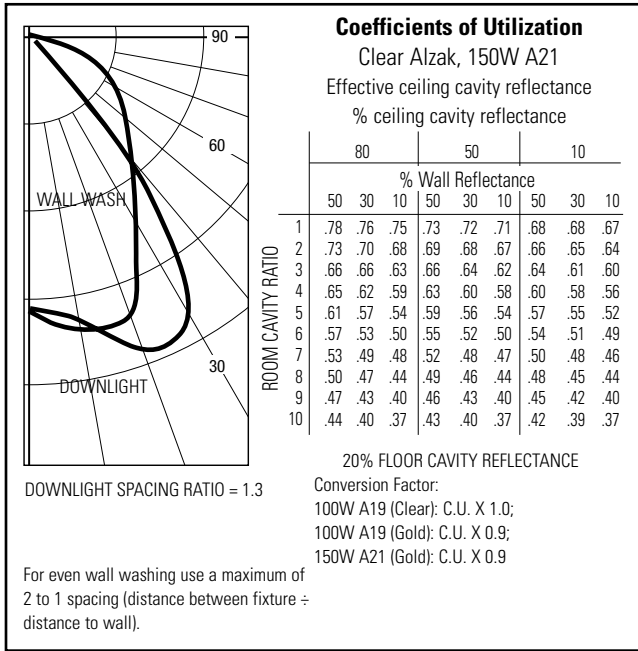
UL Listed for damp locations, I.B.E.W.

Alzak® is a registered trademark of ALCOA.

Job Information	Type:
Job Name:	
Cat. No.:	
Lamp(s):	
Notes:	

Lightolier a Genlyte Thomas Company www.lightolier.com
 631 Airport Road, Fall River, MA 02720 • (508) 679-8131 • Fax (508) 674-4710
 We reserve the right to change details of design, materials and finish.
 © 2002 Genlyte Thomas Group LLC (Lightolier Division) • A0902

LIGHTOLIER®



Footcandles on wall from multiple units

Clear Alzak®, 150W A21

Units 2 Feet From Wall

DISTANCE FROM CEILING (FT.)	← 2' →			← 3' →			← 4' →		
	1	2	3	1	2	3	1	2	3
1	34	32	34	26	22	26	26	12	26
2	48	48	48	36	30	36	34	18	34
3	48	52	48	34	38	34	30	22	30
4	39	44	39	29	32	29	21	22	21
5	36	38	36	28	24	28	20	22	20
6	29	32	29	23	22	23	17	18	17
7	24	26	24	20	20	20	17	14	17
8	23	24	23	17	20	17	17	14	17
9	20	22	20	16	18	16	16	12	16
10	20	22	20	16	18	16	16	12	16

Units 3 Feet From Wall

DISTANCE FROM CEILING (FT.)	← 3' →			← 4' →			← 5' →			← 6' →		
	1	2	3	1	2	3	1	2	3	1	2	3
1	12	14	12	12	10	12	8	7	8	8	6	8
2	19	22	19	17	14	17	13	10	13	14	10	14
3	22	24	22	18	16	18	14	14	14	14	14	14
4	22	26	22	20	16	20	16	14	16	14	10	14
5	26	26	26	20	20	20	14	14	14	14	14	14
6	24	22	24	15	14	15	11	12	11	9	12	9
7	20	22	20	16	16	16	12	12	12	10	12	10
8	19	20	19	15	14	15	11	12	11	9	12	9
9	19	20	19	15	14	15	11	10	11	9	10	9
10	17	20	17	15	14	15	11	10	11	9	10	9

Units 4 Feet From Wall

DISTANCE FROM CEILING (FT.)	← 4' →			← 5' →			← 6' →			← 8' →		
	1	2	3	1	2	3	1	2	3	1	2	3
1	10	10	10	10	8	10	6	5	6	6	3	6
2	12	14	12	12	10	12	8	8	8	8	4	8
3	16	18	16	14	12	14	12	10	12	10	6	10
4	17	18	17	15	14	15	13	12	13	11	6	11
5	19	20	19	17	14	17	13	12	13	11	8	11
6	19	20	19	17	14	17	13	12	13	11	8	11
7	20	20	20	16	15	16	12	14	12	10	10	10
8	20	20	20	16	15	16	12	14	12	10	10	10
9	20	20	20	16	15	16	12	14	12	10	10	10
10	20	20	20	16	15	16	12	14	12	10	10	10

Footcandle values are averaged and rounded off and are based on a minimum of five units. Conversion factors: 100W A-19 (Clear): F.C. x 0.6; 100W A-19 (Gold): F.C. x 0.55; 150W A-19 21 (Gold): F.C. x 0.9;

Job Information **Type:**

Lightolier a Genlyte Thomas Company www.lightolier.com
631 Airport Road, Fall River, MA 02720 • (508) 679-8131 • Fax (508) 674-4710
We reserve the right to change details of design, materials and finish.
© 2002 Genlyte Thomas Group LLC (Lightolier Division) • A0902

LIGHTOLIER®