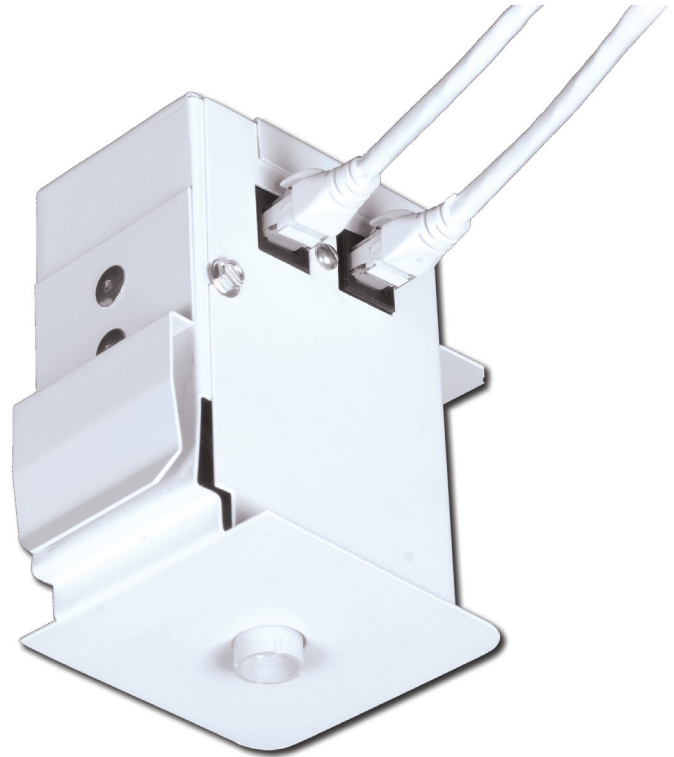


ULM Module

Daylight Sensor Enclosure, UL2F-EZR

Page 1 of 3



Ordering Information

UL Module	Finish	Option
UL2	F	EZR
Daylighting sensor enclosure	F = Flat white	EZR = LuxSense daylight sensor

Note: Fixtures and ULM-EZR Modules are ordered as separate items.

Features

- Contains LuxSense occupancy sensor with proprietary RJ45 receptacles.
- Fits standard or slot grid ceiling systems.
- Secures to ceiling "T" (Standard or Slot Grid).
- Ceiling tile hold-down.
- 20 gauge steel fascia.
- Mates with Lightolier 1' x 4', 2' x 2' and 2' x 4' recessed fixtures containing DL System RJ45 receptacles. CAT5 cable (12' in length) with RJ45 plugs are included with fixture (additional cables of varied length available, order separately).

Specifications

Materials: 20 gauge cold rolled steel.

Finish: Baked white polyester powder coated.

Labels: I.B.E.W.

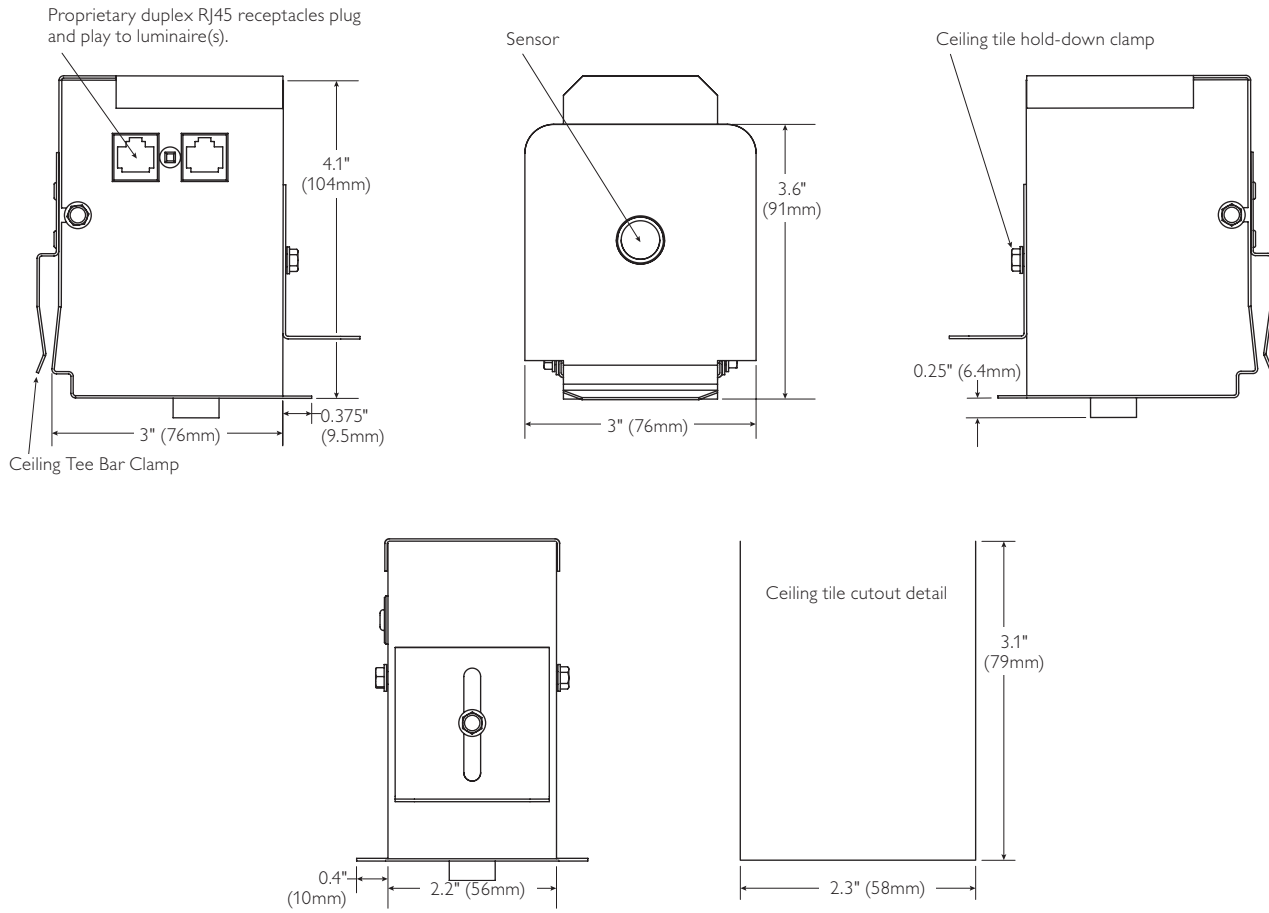
Job Information	Type:
Job Name:	
Cat. No.:	
Notes:	

PHILIPS
LIGHTOLIER

ULM Module

Daylight Sensor Enclosure, UL2F-EZR

Dimensions



Job Information Type:

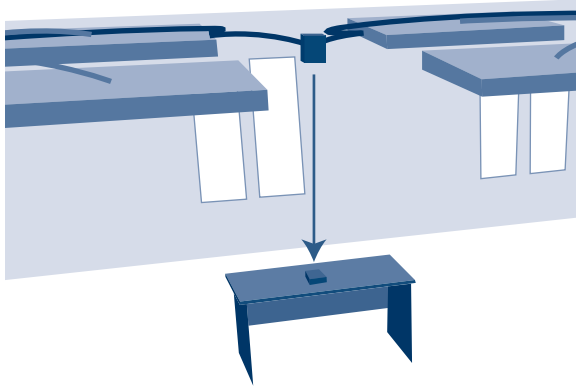
PHILIPS
LIGHTOLIER

ULM Module

Daylight Sensor Enclosure, UL2F-EZR

Page 3 of 3

Sensor calibration



Upon completion of installation, when there is no daylight, place a light meter on the work surface and take a footcandle reading. Adjust to desired footcandle level by rotating the sensor in the face of the ULM-EZR Module.

Compatible luminaire ~ Ordering Information

Specify Lightolier recessed luminaire, with a 0-10 volt, 2 wire, dimming ballast/driver and then add suffix **#EZR**

Example:

HP92GLR232UNVM7-#EZR

Or

GOS2G232UNVM7-#EZR

M7 Denotes Advance Mark VII dimming ballast for 2, 32 watt T8 lamps. Other lamping configurations and dimming ballast manufacturers available. Consult your Lightolier representative.

Note: Fixtures and ULM-EZR Modules are ordered as separate items.



The sensors are factory pre-calibrated to 45fc on the horizontal, assuming standard reflectances (80/50/20), ceiling heights (8-10') and work surfaces (2.5'). To return to the default setting, rotate the aperture until it 'clicks' back into place at the mid-point.



To get **MORE** electric light on desk, close aperture smaller by rotating it counter-clockwise. The lamps will get brighter.



To get **LESS** electric light on desk, open aperture wider by rotating it clockwise. The lamps will dim down.

Compatible luminaires

- Coffaire (**CF**)
- Deepcel (**DP**)
- GO2 (**GO**)
- HP90 (**H9**)
- Opalescent (**OP**)
- Paralyte (**PL**)
- Paraplus (**PP**)
- Prismalyte (**PR**)
- Skyway (**SK**)
- Specplus (**SP**)
- Vision Smart (**VP/VR**)

For families not listed contact your Lightolier representative.



Philips Lightolier
e: lol.webmaster@philips.com
t: (508) 679-8131, Technical info. (978) 657-7600
w: www.lightolier.com

UL2F-EZR February 7, 2012

Specifications are subject to change without notice.
© Koninklijke Philips Electronics N.V., 2012. All rights reserved.

Job Information Type: