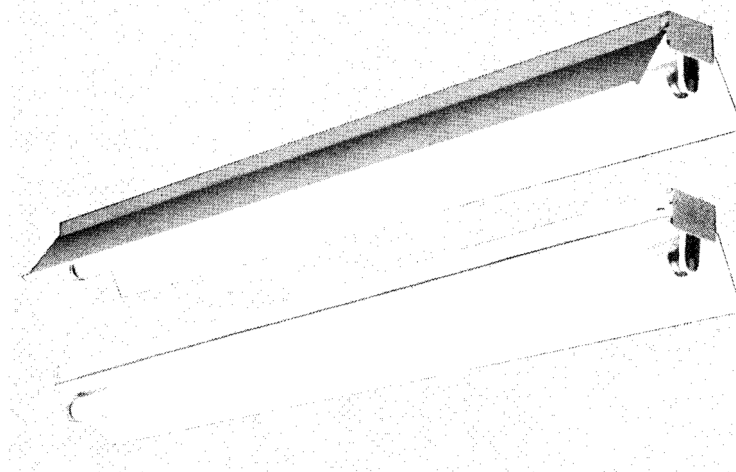


# SYMMETRIC/ASYMMETRIC REFLECTORS **SYM/ASY SERIES**

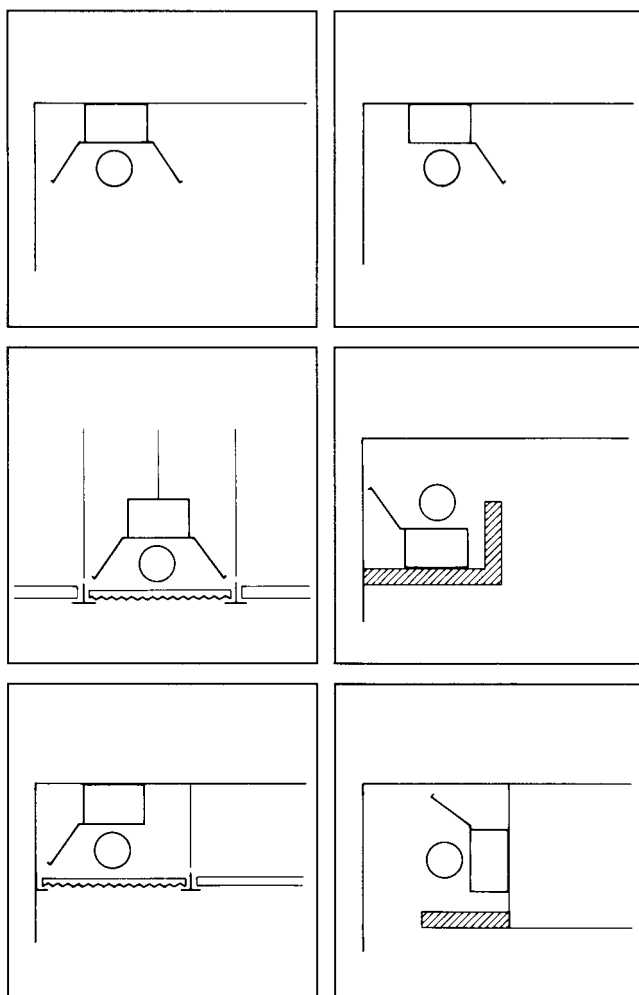
FOR SN SERIES 18," 24," 36," 48," 96" LENGTHS,  
 FOR SD SERIES 24," 36," 48," 96" LENGTHS,  
 FOR SW SERIES 24," 36," 48," 96" LENGTHS

## Features

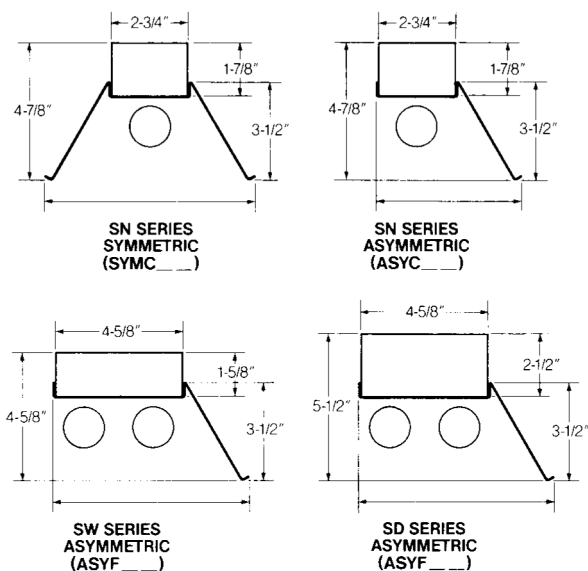
- Applications
  - Cove Lighting
  - Cornice Lighting
  - Valence Lighting
- For SN Series see Folio H110-20
- For SD Series see Folio H100-30
- For SW Series see Folio H100-21



## Application



## Dimensions



## Job Information

## Type:

**Job Name:**

**Cat. No.:**

**Lamp(s):**

**Volts/Ballast:**

Lightolier a Genlyte Thomas Company

www.lightolier.com

Technical Information: (978) 657-7600 • Fax (978) 658-0595

631 Airport Road, Fall River, MA 02720 • (508) 679-8131 • Fax (508) 674-4710

We reserve the right to change details of design, materials and finish.

© 2002 Genlyte Thomas Group LLC (Lightolier Division)

A0902

**SECTION 3A/ Folio H110-30**

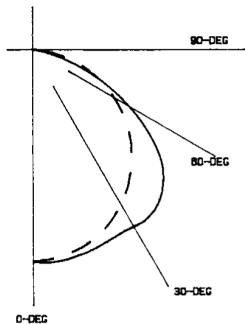
**LIGHTOLIER**®

# SYMMETRIC/ASYMMETRIC REFLECTORS **SYM/ASY SERIES**

FOR SN SERIES 18," 24," 36," 48," 96" LENGTHS,  
 FOR SD SERIES 24," 36," 48," 96" LENGTHS,  
 FOR SW SERIES 24," 36," 48," 96" LENGTHS

## PHOTOMETRY

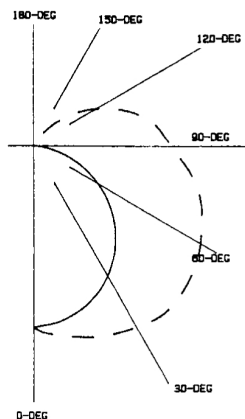
REPORT NO: G92012  
 CATALOG NO: SYMC40  
 LAMP TYPE: 1 F40T12/CW  
 LUMENS PER LAMP: 3050  
 TOTAL EFFICIENCY: 80.1%  
 CIE TYPE: Direct  
 SPACING CRITERIA: 1.5  
 SHIELDING ANGLE: 90



MODEL NO. SYMC40

Coefficients of utilization—zonal cavity method										
RF	20			20			20			
RC	80			50			30			
RW	70	50	30	50	30	10	50	30	10	
room cavity ratio	1	88	84	81	79	77	75	76	74	72
	2	80	74	69	70	66	62	67	64	61
	3	73	65	59	62	57	53	60	55	52
	4	67	58	51	55	49	45	53	48	44
	5	61	51	44	48	42	38	47	42	37
	6	56	45	38	43	37	33	42	36	32
	7	51	41	33	39	33	28	37	32	28
	8	47	36	29	35	28	24	33	28	24
	9	43	32	25	31	25	21	30	24	21
	10	40	29	23	28	22	18	27	22	18

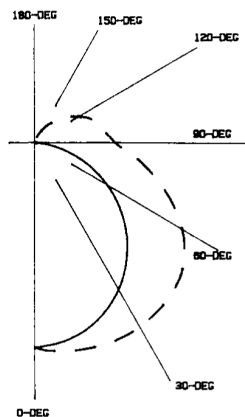
REPORT NO: G92011  
 CATALOG NO: ASYC40  
 LAMP TYPE: 1 F40T12/CW  
 LUMENS PER LAMP: 3050  
 TOTAL EFFICIENCY: 88.8%  
 CIE TYPE: Semi-direct  
 SPACING CRITERIA: 1.2  
 SHIELDING ANGLE: 90



MODEL NO. ASYC40

Candela distribution			
Angle	Along	45°	Across
0	617	617	617
5	641	628	609
15	673	639	585
25	698	638	541
35	721	624	476
45	715	604	397
55	685	558	306
65	641	494	206
75	586	422	105
85	509	339	19
90	476	304	4
95	448	281	4
105	389	221	3
115	297	150	3
125	200	79	3
135	105	22	3
145	25	2	3
155	1	2	3
165	1	2	3
175	1	1	3
180	1	1	1

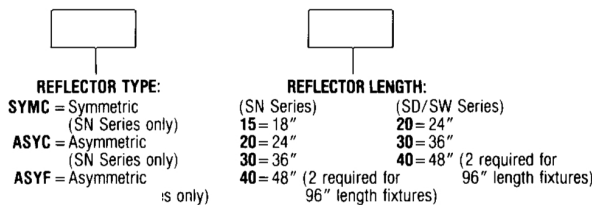
REPORT NO: G92013  
 CATALOG NO: ASYF40  
 LAMP TYPE: 2 F40T12/CW  
 LUMENS PER LAMP: 3050  
 TOTAL EFFICIENCY: 83.3%  
 CIE TYPE: Direct  
 SPACING CRITERIA: 1.2  
 SHIELDING ANGLE: 90



MODEL NO. ASYF40

Candela distribution			
Angle	Along	45°	Across
0	1291	1291	1291
5	1317	1299	1276
15	1339	1293	1226
25	1345	1260	1131
35	1323	1196	997
45	1276	1102	830
55	1168	984	637
65	992	817	426
75	785	605	214
85	590	404	36
90	508	328	6
95	474	297	5
105	426	264	5
115	369	208	4
125	285	151	4
135	198	96	4
145	115	42	5
155	39	7	5
165	2	2	5
175	2	2	5
180	1	1	1

## ORDERING INFORMATION Explanation of Catalog Number Example: ASYF40



## SPECIFICATIONS

**MATERIALS:** Die-formed code gauge cold rolled steel.  
**FINISH:** Baked white polyester enamel, minimum 86% reflectance.

## Job Information Type:

**Lightolier** a Genlyte Thomas Company [www.lightolier.com](http://www.lightolier.com)  
 Technical Information: (978) 657-7600 • Fax (978) 658-0595  
 631 Airport Road, Fall River, MA 02720 • (508) 679-8131 • Fax (508) 674-4710  
 We reserve the right to change details of design, materials and finish.  
 © 2002 Genlyte Thomas Group LLC (Lightolier Division)  
 A0902 **SECTION 3A/ Folio H110-30**

**LIGHTOLIER**