

Sealatron Enclosed Industrial Fluorescent **STW Series**

Wet /Damp Locations, Rapid Start, Slimline/High Output
1 or 2 Lamp T5, T5HO, T8, T8HO or T12HO

Features

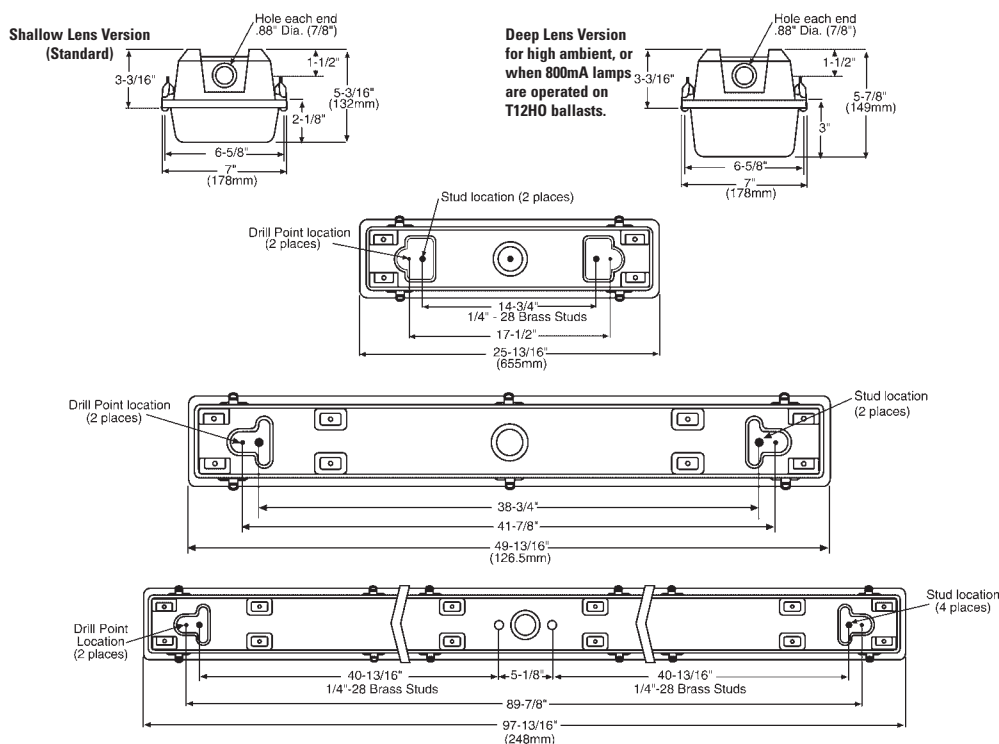
- **Wet Location**-Areas of high humidity, water vapor, rain, incidental water spray, or other non-corrosive or non-flammable liquid. (UL-Listed)
- NSF Certified for Non-Food Zone installation.
- IP67 rating.
- Acceptable for outdoor as well as indoor installations.
- One-piece impact resistant, non-conductive, non-corrosive housing, reinforced polyester fiberglass housing.
- Smooth exterior surface for easy cleaning.
- Lighting channel has high reflectance baked white enamel finish.
- Two gasketed threaded (1/2" trade size) wet location hubs installed on ends.
- High impact DR acrylic molded lens.
- Crepe pattern inner surface lens.
- Continuous, compressible, closed-cell neoprene gasket bonded to housing.
- ABS lock-tight plastic molded cam-action tension latches.
- K.O.'s provided throughout for easy access.
- Can be surface (wall/ceiling) or suspended mounted unless otherwise specified.
- **Mounting brackets available, order separately.**



Mounting Methods



Dimensions



Job Information Type:

Job Name:

Cat. No.:

Lamp(s):

Volts/Ballast:

Sealatron Enclosed Industrial Fluorescent **STW Series**

Wet /Damp Locations, Rapid Start, Slimline/High Output
1 or 2 Lamp T5, T5HO, T8, T8HO or T12HO

Model No. ST4WA232120SO

LER = FP - 79 IW - 54 BF - 0.88
Comparative yearly lighting energy cost per
1000 lumens = \$3.04

Report Number: 20017
Catalog Number: ST4WA232120SO
Lamps: F32T8
Luminaire: Sealatron, enclosed industrial
with high impact DR acrylic lens for
wet/damp locations.
Ballast: Triad B232120RH
Report is based on 2850 Lumens per lamp.
Efficiency: 85.1%
CIE Type-Direct-Indirect
Plane: 0-Deg 90-Deg
Spacing Criteria: 1.2 1.5

CANDELA DISTRIBUTION

	0.0	45.0	90.0
0	1109	1109	1109
5	1102	1105	1104
15	1066	1096	1116
25	988	1063	1117
35	871	1007	1110
45	717	921	1065
55	528	796	973
65	336	661	867
75	174	552	739
85	53	369	511
95	19	199	323
105	15	112	190
115	7	56	83
125	3	28	39
135	2	13	23
145	4	7	13
155	4	4	6
165	5	5	7
175	6	7	8

COEFFICIENTS OF UTILIZATION – ZONAL CAVITY METHOD. EFFECTIVE FLOOR CAVITY REFLECTANCE 0.20

RC	80	70	50	30
RW 70	88	82	78	84
70	80	76	68	61
50	64	53	48	41
30	48	39	32	26
10	28	22	18	14

LUMINANCE DATA IN CANDELA/SQ. METER

AVERAGE IN DEG.	AVERAGE 0-DEG.	AVERAGE 45-DEG.	AVERAGE 90-DEG.
45	5162.	5457.	5986.
55	4608.	5337.	6090.
65	3872.	5287.	6339.
75	3090.	5685.	6743.
85	2194.	5573.	6459.

ZONAL LUMEN SUMMARY

ZONE	LUMENS	% LAMP	% FIXT
0- 30	905	15.9	18.7
0- 40	1532	26.9	31.6
0- 60	2923	51.3	60.3
0- 90	4438	77.9	91.5
90-180	412	7.2	8.5
0-180	4850	85.1	100.0

Model No. ST4WA254UNVPG

LER = FP - 62.7 IW - 110.7 BF - 1.0
Comparative yearly lighting energy cost per
1000 lumens = \$3.83

Report Number: 26075
Catalog Number: ST4WA254UNVPG
Lamps: (2) F54T5 HO
Luminaire: Sealatron, enclosed industrial
with high impact DR acrylic lens for
wet/damp locations.
Ballast: ICN-2S54-90C
Report is based on 4400 Lumens per lamp.
Efficiency: 78.8%
CIE Type-Direct-Indirect
Plane: 0-Deg 90-Deg
Spacing Criteria: 1.2 1.5

CANDELA DISTRIBUTION

	0.0	45.0	90.0	FLUX
0	1621	1621	1621	
5	1605	1644	1605	155
15	1550	1632	1620	455
25	1429	1579	1610	717
35	1270	1488	1576	915
45	1055	1350	1477	1011
55	786	1145	1312	985
65	489	911	1185	886
75	245	822	1108	776
85	72	535	716	522
90	31	383	570	
95	32	285	476	294
105	24	106	181	122
115	10	65	61	49
125	3	33	46	25
135	3	16	25	11
145	5	8	15	6
155	6	6	7	3
165	8	7	7	2
175	8	8	8	1
180	8	8	8	

COEFFICIENTS OF UTILIZATION – ZONAL CAVITY METHOD. EFFECTIVE FLOOR CAVITY REFLECTANCE 0.20

RC	80	50	30	10
RW 70	82	77	73	70
70	66	59	60	55
50	46	41	49	44
30	32	25	24	20
10	21	16	14	11

LUMINANCE DATA IN CANDELA/SQ. METER

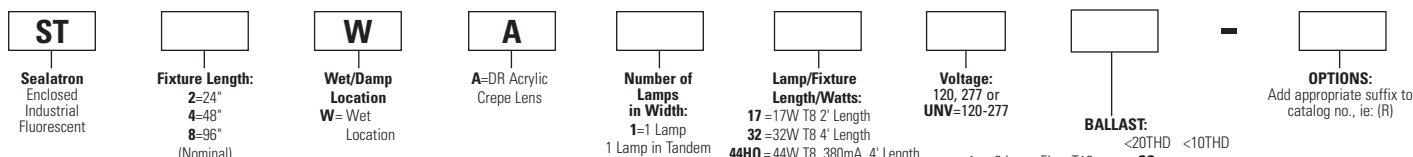
AVERAGE IN DEG.	AVERAGE 0-DEG.	AVERAGE 45-DEG.	AVERAGE 90-DEG.
45	8406.	9317.	8990.
55	7591.	9086.	8836.
65	6234.	8819.	9246.
75	4808.	10613.	10659.
85	3284.	10864.	9351.

ZONAL LUMEN SUMMARY

ZONE	LUMENS	% LAMP	% FIXT
0- 30	1328	15.1	19.1
0- 40	2242	25.5	32.3
0- 60	4238	48.2	61.6
0- 90	6422	73.0	92.6
90-120	465	5.3	6.7
90-130	490	5.6	7.1
90-150	507	5.8	7.3
90-180	513	5.8	7.4
0-180	6934	78.8	100.0

Ordering Information

Explanation of Catalog Number. Example: ST4WA232UNVHI[†]



‡No product change. New Catalog Number Designation.

Options/Accessories

Water Tight Kits: One installed each end of fixture. For additional kits, order Catalog Number: **STW-DC2**.
Electrical/Wiring Options: Consult factory.
Radio Interference Filter: 120 or 277 volt, 50 or 60 Hz. One per fixture. Suffix: **R**; One per ballast. Suffix: **B**.
Fusing: Internal fast-blow fusing. Suffix: **A**; Internal slow-blow fusing. Suffix: **C**.



Two Top Mounting Brackets: Order Catalog Number:
STW TOP BRKT.



Two Surface or Chain Mounting Brackets: Order Catalog Number:
STW END BRKTS.

Specifications

Materials: Inner Chassis parts are die-formed code gauge cold rolled steel, 1-5/8" deep x 4-5/8" channel width.
Lens: Molded, one-piece impact resistant .125" starting thickness smooth virgin acrylic with crepe on inner surface. Lens enclosure shall be fully gasketed to seal fixture from dirt, moisture and other contaminants.
Latches: Lock-tight molded cam-action tension latches, securely clamp to fixture.
Finish: Inner chassis exterior—baked white polyester enamel, 84% minimum reflectance.

Electrical: Thermally protected class "P" ballast C.B.M. approved, non PCB. If K.O. is within 3" of ballast, use wire suitable for at least 90".
Labels: I.B.E.W./UL and ULc Listed.
This product may have a mercury containing lamp. Manage in accord with Disposal Laws.
See: www.lamprecycle.org

Job Information Type:

