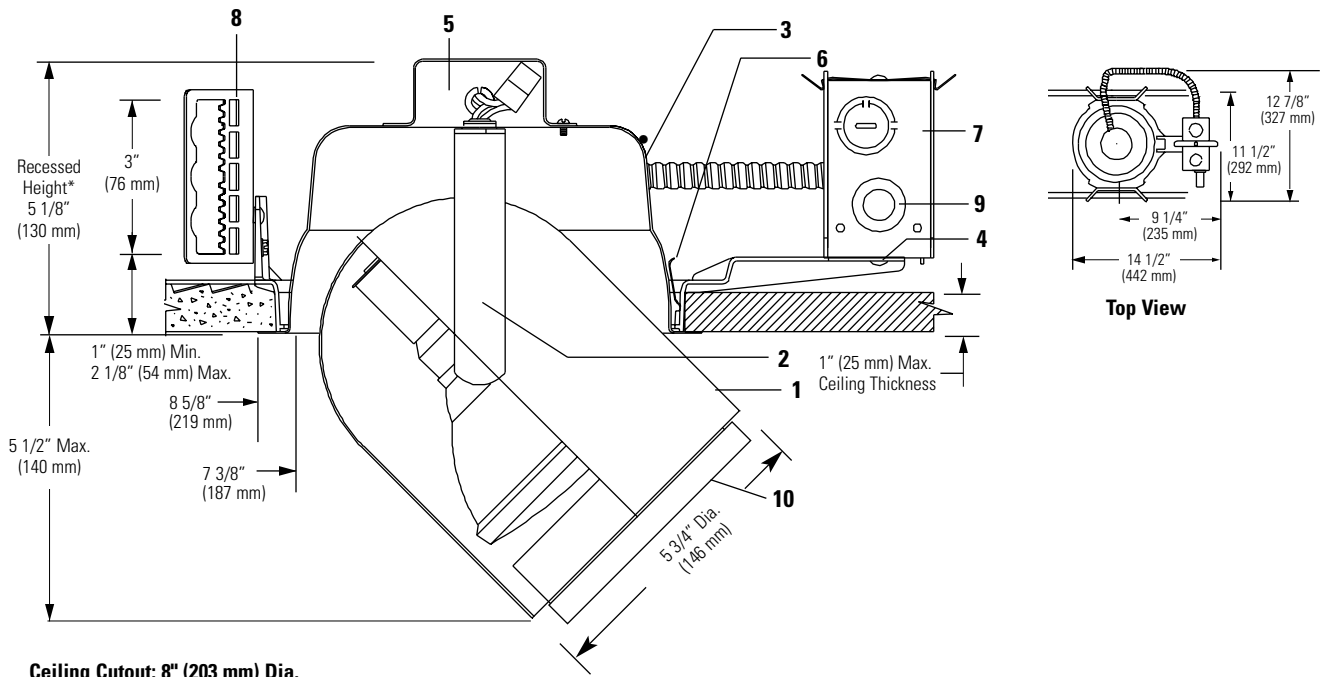


# Calculite® Incandescent Adjustable Accent **SRP38**



Ceiling Cutout: 8" (203 mm) Dia.

Catalog Number	Lamp	
SRP38	PAR38 250W BR40 120W PAR38 90W (Cool Beam)	Housing Diameter: 7 5/8" (134 mm) Recessed Width Max.: 14 1/2" (368 mm) Recessed Width Min.: 12 7/8" (327mm) Recessed Height: 5 1/8" (130 mm)

## Features

- Cylinder:** Die-formed, heavy gauge aluminum. Round-back cylinder. Matte white exterior, matte black interior. 45° vertical and 358° horizontal adjustment.
- Yoke:** Die-formed steel, permanently tensioned with internal spring washers and vibration-resistant nuts. No exposed fasteners.
- Housing:** Hydroformed, heavy gauge aluminum. Matte white overlap flange.
- Mounting Frame:** Die-cast aluminum, for dry or plaster ceilings.
- Housing Cup:** Hydroformed, 0.05" aluminum. Mounts to housing; provided with quick plug-in electrical connectors. Prewired with #18 ga. AWM leads to junction box.
- Retaining Springs:** Precision-tooled steel friction springs secure housing to mounting frame for quick, tool-less installation.
- Junction Box:** 4" x 3 1/2" x 2", 14 ga. (0.063") die-formed galvanized steel. Can be inspected from below.
- Mounting Brackets:** 16 ga. galvanized steel. Adjust from inside of fixture. Use 3/4" or 1 1/2" lathing channel, 1/2" EMT, or optional Lightolier mounting bars (1950 or 1951).
- Thermal Protector:** Meets NEC and UL requirements. Thermal insulation shall not be installed within 3" (76 mm) of the recessed fixture enclosure, wiring compartment, and shall not be so installed above the fixture so as to entrap heat and prevent the free circulation of air.
- Cube Cell Louver/Holder Accessory:** Cat. No. 56995. Provides 45° shielding. Spring mounted to lamp. Accepts standard Lightolier 4 3/4" filters and spread lens, up to two elements per holder. (120W Maximum with Filters or media). Matte black louver, matte white holder.

## Options & Accessories

- 18" Mounting Bars **1950** (set of 2)
- 27" Mounting Bars **1951** (set of 2)

## Options & Accessories (continued)

- T-Bar Anchor Clips **1956** (set of 4, for 1950 & 1951 bars)
- Wood Joist Mtg. Bars **7994** (set of 2)
- Existing Ceiling Clips **7998** (set of 2)
- Step Down Transformer **7997** (see separate specification sheet)
- Chicago Air Plenum Consult Factory
- Fuse Consult Factory
- Cube Cell Louver/Holder **56995** (see note 10)

## Electrical

Medium base porcelain socket, nickel plated screw shell; prewired with #18 ga. SF-1 leads with integral silicon sleeving. UL listed for maximum of (8) No. 12 AWG 75°C through branch conductors or 60°C conductors for end of run.

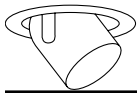
## Labels

UL Listed for damp locations, I.B.E.W.

Job Information	Type:
Job Name:	
Cat. No.:	
Lamp(s):	
Notes:	

Lightolier a Genlyte Thomas Company [www.lightolier.com](http://www.lightolier.com)  
 631 Airport Road, Fall River, MA 02720 • (508) 679-8131 • Fax (508) 674-4710  
 We reserve the right to change details of design, materials and finish.  
 © 2002 Genlyte Thomas Group LLC (Lightolier Division) • A0902

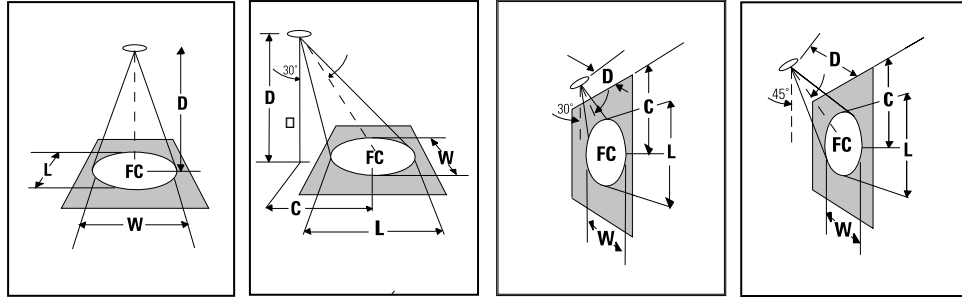
**LIGHTOLIER®**



## Accent Lighting Performance Data

(FC) is initial footcandles at center of beam. Beam length (L) and beam width (W) are to where the candlepower is reduced to 50% of the center beam candlepower. CBCP is center beam candlepower. (C) is distance to the center of the beam.

Lamp data shown is typical, and is based on bare lamp photometrics. Contact lamp manufacturers for availability and performance.



0° Aiming Angle

30° Aiming Angle

30° Aiming Angle

45° Aiming Angle

Lamps	Beam Spread (To 50% CBCP)	CBCP	Rated Life (Hrs.)	0° Aiming Angle		30° Aiming Angle					30° Aiming Angle					45° Aiming Angle						
				D	FC	L	W	D	C	FC	L	W	D	C	FC	L	W	D	C	FC	L	W
 <b>100W PAR38 SP</b>	 <b>15°</b>	48000	7500	15'	178	3.9'	3.9'	10'	5.3'	230	3.5'	3.0'	5'	8.7'	200	5.5'	2.6'	8'	8.0'	221	4.3'	3.0'
				20'	100	5.3'	5.3'	15'	6.7'	115	5.3'	4.5'	8'	12.8'	78	8.9'	4.2'	12'	12.0'	99	5.4'	4.5'
				25'	64	6.6'	6.6'	20'	11.9'	65	7.7'	8.1'	11'	14.2'	44	15.5'	5.8'	16'	15.0'	55	8.5'	6.0'
				30'	44	7.8'	7.9'	25'	14.4'	42	8.9'	7.5'	14'	14.2'	26	15.7'	7.4'	20'	20.0'	35	10.7'	7.4'
 <b>100W PAR38 FL</b>	 <b>30°</b>	21000	7500	10'	210	5.4'	5.4'	8'	4.6'	213	5.9'	5.0'	4'	6.9'	164	10.8'	4.3'	5'	6.0'	206	6.8'	4.5'
				15'	193	8.0'	3.5'	12'	6.5'	95	8.8'	7.4'	6'	10.4'	73	16.4'	6.4'	9'	9.0'	92	10.4'	5.8'
				20'	53	10.7'	10.7'	16'	8.7'	52	11.7'	9.9'	8'	13.9'	41	21.9'	8.5'	12'	12.0'	52	13.9'	8.1'
				25'	34	13.4'	13.4'	20'	11.5'	34	14.5'	12.4'	10'	17.3'	26	27.3'	10.7'	15'	15.0'	33	17.3'	11.4'
 <b>100W PAR38 WFL</b>	 <b>60°</b>	6000	7500	6'	167	7.6'	7.6'	5'	2.9'	155	9.8'	7.4'	2'	3.5'	188	* 5.1'	3'	3.0'	236	12.9'	5.4'	
				8'	94	10.2'	10.2'	7'	4.0'	80	13.8'	10.3'	3'	5.2'	82	* 7.5'	5'	5.0'	95	21.4'	8.0'	
				10'	60	12.7'	12.7'	9'	5.2'	48	17.7'	13.2'	4'	6.0'	47	* 10.4'	7'	7.0'	43	30.0'	12.5'	
				12'	42	15.3'	15.3'	11'	8.2'	32	21.8'	16.2'	5'	8.7'	30	* 12.7'	9'	9.0'	26	38.6'	16.2'	

\* Exceeds useable limits.

**Job Information** **Type:**

Lightolier a Genlyte Thomas Company [www.lightolier.com](http://www.lightolier.com)  
 631 Airport Road, Fall River, MA 02720 • (508) 679-8131 • Fax (508) 674-4710  
 We reserve the right to change details of design, materials and finish.  
 © 2002 Genlyte Thomas Group LLC (Lightolier Division) • A0902

**LIGHTOLIER®**