

Ordering Information

Family	Lamps	Length	Type	Mounting	Shielding	Voltage	Options
SQ6	1		AD	W	A		
	1 = 1-Light	4 = 4-Foot 8 = 8-Foot	AD = Asymmetrical Direct	W = Wall	A = Asymmetric Lens	1 = 120v 2 = 277v 3 = 347v D1 = Dimming 120v D2 = Dimming 277v D3 = Dimming 347v E1 = Emergency 120v E2 = Emergency 277v	X4 = 4th Wire X5 = 5th Wire Blank = No Opt. DS = Dual Switch

Complete ordering instruction below.

Features

- Housing:** 20 gauge pre-painted die formed steel.
- Lamp:** One F32T8 fluoresecent lamp per 4-foot section. Provided by others.
- Reflector:** Precision formed semi-specular reflector.
- Asymmetric Lens:** Injection-molded clear acrylic asymmetric lens.

Electrical

Electronic Ballast: 3 conductor, 18 gauge wire. Color-coded quick connectors allow easy connection for modular fixtures. Power feed is 18 gauge white cord. Factory installed ballast disconnect allows the ballast to be disconnected from and reconnected to incoming power under load without turning the entire circuit off.

Dimming: Advance Mark X, use Advance compatible two-wire control (no extra lead required).

Emergency Battery Pack: 450 Lumens @ 90min.

Mounting

Wall Mounting: Rigid mount extruded aluminum arm, painted to match housing.

Finish

Pre-painted white finish.

Options and Accessories

Dual Switching: Order the DS option for separate row switching. DS option comes complete with the 4th through wire option.

4 and 5 wire: Order X4 for EM battery. For non-standard dimming options, order X5 option for Advance Mark VII, DALI and ESI. Order X4 for Lutron Hi-Lume and ECO-10.

Consult factory for any additional wiring conditions.

Ordering Instructions

Individual Fixtures:

- Order number of Modules required.
- Order one End Set Wall per Module.

Continuous Runs:

- Determine run length.
- Order the appropriate number of Modules for the complete run.
- Order one End Set Wall per run.

Labels

UL, cUL and I.B.E.W.

Job Information	Type:
Job Name:	
Cat. No.:	
Lamp(s):	
Notes:	

631 Airport Road, Fall River, MA 02720 • (508) 679-8131 • Fax (508) 674-4710
 We reserve the right to change details of design, materials and finish.
 www.lightolier.com © 2008 Philips Group • E1008

Performance & Quick Calculators

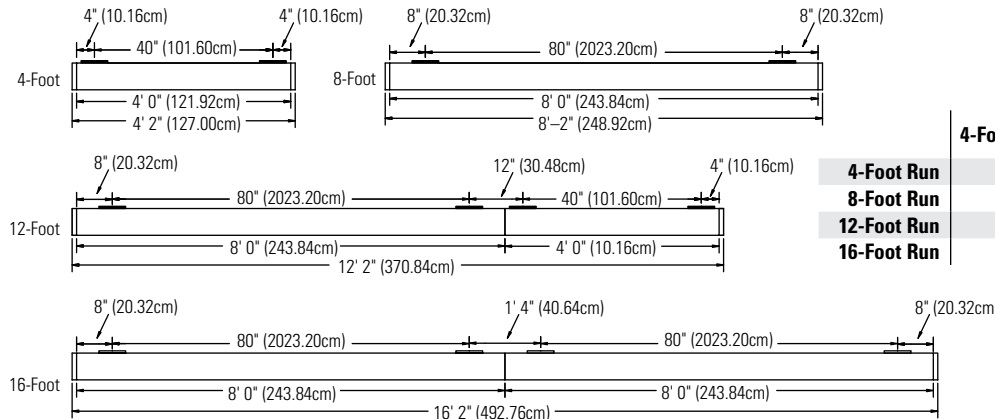
ZONE	DEG.	CANDLEPOWER				
		0	22	45	67	90
180	0	0	0	0	0	0
175	0	0	0	0	0	0
165	0	0	0	0	0	0
155	0	0	0	0	0	0
145	0	0	0	0	0	0
135	0	0	0	0	0	0
125	0	0	0	0	0	0
115	0	0	0	0	0	0
105	0	0	0	0	0	0
95	0	0	0	0	0	0
90	0	0	0	0	0	0
85	21	22	17	18	19	19
75	157	150	97	86	82	82
65	290	274	186	189	184	184
55	404	441	263	280	315	315
45	609	720	347	330	360	360
35	967	851	409	382	369	369
25	778	1158	472	461	423	423
15	1406	1092	528	462	477	477
5	626	597	563	532	525	525
0	566	566	566	566	566	566

Report No.: ITL53186
Catalog No.: SQ614ADWA1
Lamps: 1-F32T8
Lumens: 2950
Efficiency: 68.5%

ROOM CAVITY RATIO	COEFFICIENTS OF UTILIZATION								
	% EFFECTIVE CEILING CAVITY REFLECTANCE								
	80			70			50		
	% WALL REFLECTANCE								
	50	30	10	50	30	10	50	30	10
0	81	81	81	79	79	79	76	76	76
1	74	47	69	73	67	67	67	65	63
2	68	62	58	66	57	57	59	55	52
3	62	55	50	60	49	49	52	48	44
4	57	49	43	55	42	42	46	41	38
5	52	44	38	51	37	37	41	36	33
6	48	39	33	47	33	33	37	32	29
7	45	36	30	44	29	29	34	29	25
8	42	32	27	41	27	27	31	26	23
9	39	30	24	38	24	24	29	24	20
10	36	27	22	36	22	22	26	22	18

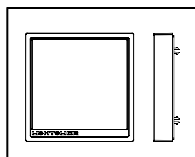
ZONAL LUMEN SUMMARY			
ZONE	LUMENS	% BARELAMP	% LUMINAIRE
0-90	2019	68.5	100
90-180	0	0	0
0-180	2019	68.5	100

Fixture Lengths & Mounting Locations



	4-Foot Module	8-Foot Module	End Set
4-Foot Run	1		1
8-Foot Run		1	1
12-Foot Run	1	1	1
16-Foot Run		2	1

Mounting Accessories



End Set Wall: SQ6E

Job Information	Type:
-----------------	-------

631 Airport Road, Fall River, MA 02720 • (508) 679-8131 • Fax (508) 674-4710
 We reserve the right to change details of design, materials and finish.
 www.lightolier.com © 2008 Philips Group • E1008