

# Specplus SPS2GFSVA26U or 217

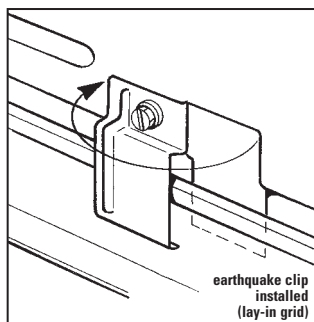
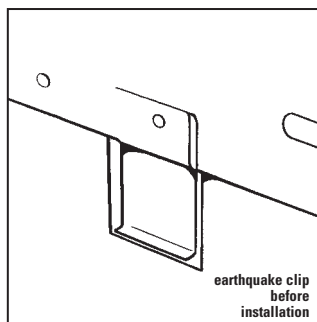
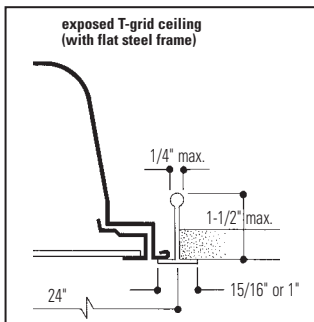
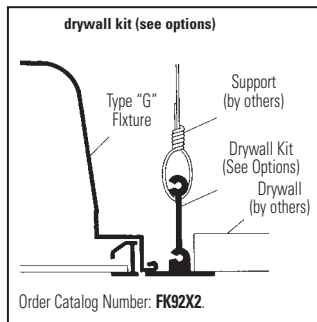
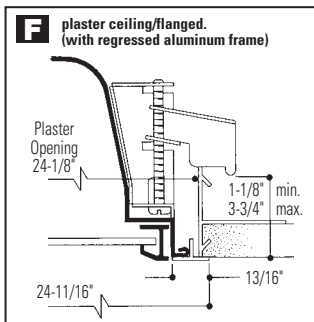
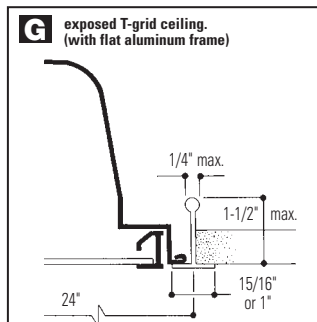
## 2' x 2' Recessed Fluorescent, Lens Frame Troffer Static, 2 Lamp, T8

### Features

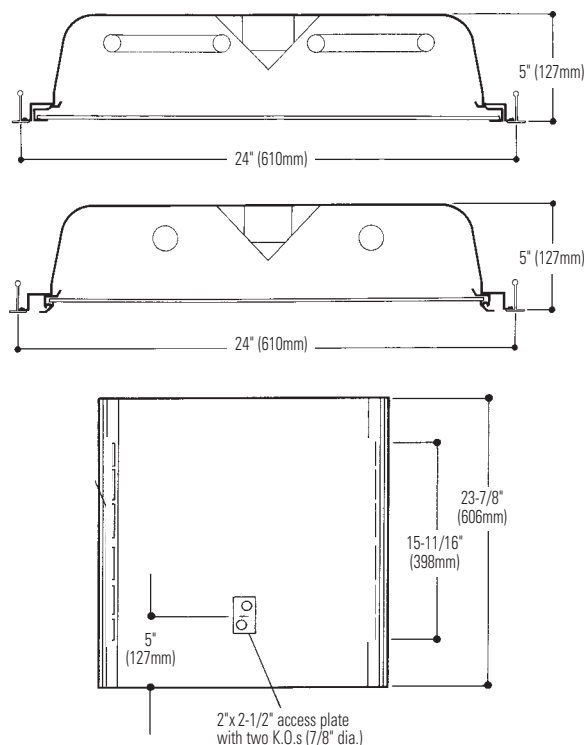
- 5" deep body.
- 3-1/16" lamp to lens for better lamp obscuration.
- 71.6% efficient.
- Clean contoured interior, no holes.
- Hemmed over side rails for maximum safety.
- Fixture ends turned-in for safe handling.
- Built-in earthquake clips.
- Slimline door frame with 475 square inch lens opening.
- Door jamb finished black on four sides for positive light stop.
- True mitered corner steel lens frame.
- Spring loaded rooster head latches.
- 18 gauge steel hinges.
- Flat and regressed aluminum doors available.
- Sky lens options available.
- Construction to meet NYC Code or Chicago Plenum requirements is available.



### Mounting Methods



### Dimensions



Job Information	Type:
Job Name:	
Cat. No.:	
Lamp(s):	
Volts/Ballast:	

# Specplus SPS2GFSVA26U or 217

## 2' x 2' Recessed Fluorescent, Lens Frame Troffer Static, 2 Lamp, T8

### Photometry

#### Model No. SPS2GFSVA26U120S0

LER = FP - 58.6 IW - 56.3 BF - 0.87  
Comparative yearly lighting energy cost per 1000 lumens = \$4.10

Report Number: G00035  
Catalog Number: SPS2GFSVA26U120S0  
Lamps: (2) U6T8  
Luminaire: 2' x 2' SpecPlus with regressed aluminum door frame and extruded virgin acrylic shielding .095" nominal thickness (similar to pattern 12).

Ballast: REL-2P32-SC  
Report is based on 2750 Lumens per lamp.

Efficiency: 71.6%  
CIE Type-Direct-Indirect  
Plane: 0-Deg 90-Deg  
Spacing Criteria: 1.2 1.3  
Shielding Angles: 90 90  
Plane: 0-Deg 90-Deg  
Luminous Length: 21.875 21.875

#### COEFFICIENTS OF UTILIZATION – ZONAL CAVITY METHOD. EFFECTIVE FLOOR CAVITY REFLECTANCE 0.20

RC	80	50	30	10	50	30	10
1	79	75	73	71	69	67	66
2	72	67	62	63	59	56	58
3	66	59	54	56	52	48	51
4	61	53	47	50	46	42	49
5	56	48	42	45	40	37	44
6	52	43	37	41	36	32	40
7	49	39	33	38	33	29	37
8	45	36	30	35	30	26	34
9	42	33	28	32	27	24	31
10	40	31	25	30	25	21	29

#### CANDELA DISTRIBUTION

	0.0	45.0	90.0	FLUX
0	1669	1669	1669	
5	1659	1658	1661	158
15	1578	1593	1614	451
25	1431	1464	1502	675
35	1212	1249	1309	785
45	913	960	1068	750
55	572	611	673	551
65	318	302	342	319
75	160	146	192	178
85	58	62	78	70
90	0	0	0	

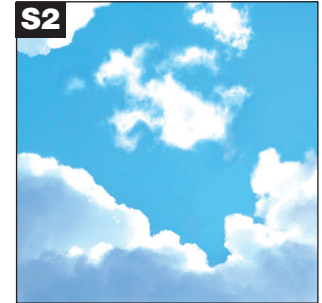
#### LUMINANCE DATA IN CANDELA/SQ. METER

AVERAGE IN DEG.	AVERAGE 0-DEG.	AVERAGE 45-DEG.	AVERAGE 90-DEG.
45	4164.	4410.	4906.
55	3239.	3460.	3811.
65	2444.	2321.	2629.
75	2008.	1832.	2410.
85	2162.	2311.	2907.

#### ZONAL LUMEN SUMMARY

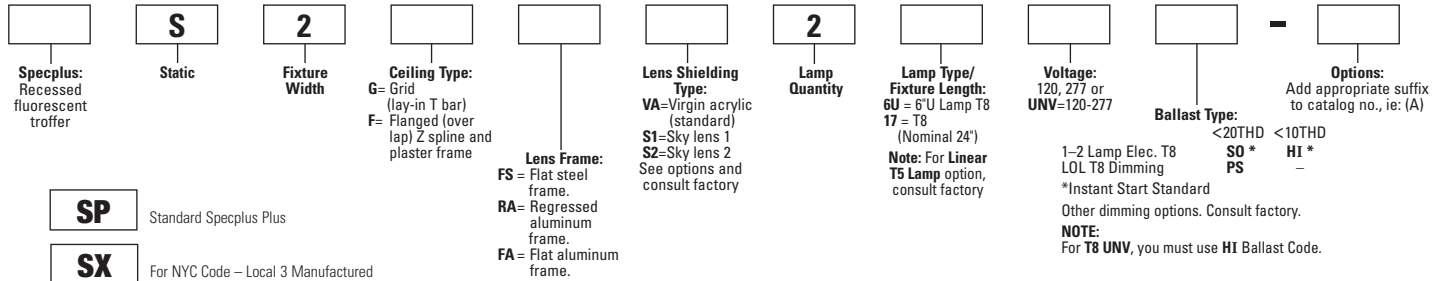
ZONE	LUMENS	% LAMP	% FIXT
0- 30	1283	23.3	32.6
0- 40	2069	37.6	52.6
0- 60	3369	61.3	85.6
0- 90	3936	71.6	100.0
90-180	0	0.0	0.0
0-180	3936	71.6	100.0

### Sky Lens Options



### Ordering Information

Explanation of Catalog Number. Example: SPS2GFSVA26UUNVHI



### Options/Accessories

**Special Lenses:** Substitute **VY** for **VA** (standard) = .125" nominal pattern 12 with 7.8 oz. average weight per square foot. Substitute **VI** for **VA** (standard) = .125" nominal pattern 12 with 6.8 oz. average weight per square foot. Substitute **S1** or **S2** for **VA** (standard) = Sky Acrylic Lens (see Sky Lens sell sheet for further details).

**Plaster Frame:** Catalog Number: **PF22**

**Continuous Row Installation:** For F type fixtures, half width flanges are required between fixtures. Order Catalog Number: **2FC TRIM CSP** (each joint).

**Radio Interference Filter:** To order one RIF per fixture; SUFFIX: **R**.  
To order one RIF per ballast; SUFFIX: **B**.

**Fusing:** Internal fast-blow fusing. SUFFIX **A**.  
Internal slow-blow fusing. SUFFIX **C**.

**Electrical Wiring Options:** Consult factory.

**Drywall Kit:** Order Catalog Number: **FK92X2**. (Request Folio OA30-10 Rev. A).

**Chicago Plenum:** SUFFIX: **C**.

### Specifications

**Performance:** In an installation of 2 lamp 31W luminaires in a room cavity ratio of 1, reflectance 80% ceiling, 50% wall, 20% floor, the C.U. shall not be less than .75. To prevent glare the VCP shall be not less than 40 either lengthwise or crosswise (at 100fc level) and the average brightness at 65° shall not exceed 2629 candelas per square meter. To control veiling reflections, luminaire output in the 30°-90° zone shall not be less than 67.4%.

### Specifications (continued)

**Materials:** Chassis parts are die-formed code gauge cold rolled steel. Housing with side rails hemmed over and housing ends turned-in for safe handling.

**Finish:** Chassis exterior—black baked polyester enamel. Cavity—white baked polyester enamel minimum 86% reflectance. Phosphate undercoating.

**Lenses:** **VA** (standard) extruded virgin acrylic, 3/16" square based female cones, running 45° to the panel edge, .095" nominal thickness (similar to pattern 12). **VY** (optional) .125" nominal pattern 12 with 7.8 oz. average weight per square foot. **VI** (optional) .125" nominal pattern 12 with 6.8 oz. average weight per square foot.

**Electrical:** Thermally protected class "P" ballast C.B.M. approved, non PCB. If K.O. is within 3° of ballast, use wire suitable for at least 90°.

**Labels:** I.B.E.W. UL and ULc Listed.

This product may have a mercury containing lamp.

Manage in accord with Disposal Laws. See: [www.lamprecycle.org](http://www.lamprecycle.org)

### Job Information

### Type: