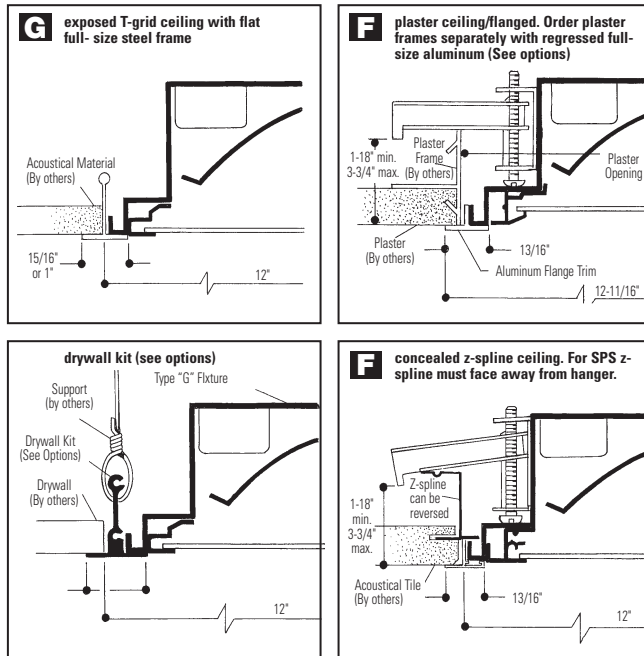


Recessed Fluorescent 1' x 4', with Full Size Lens Frame Static, 2 Lamps T8 or T5

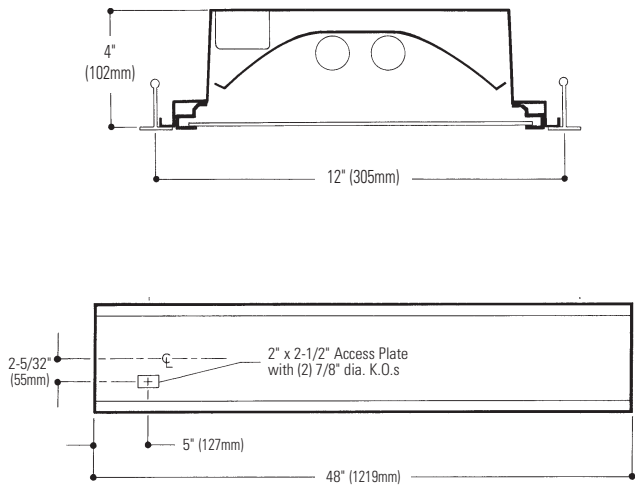
- 65.5% efficient (2 lamp 32W VA lens).
- 1.4 spacing mounting ratio (2 lamp 32W VA lens).
- 1-3/4" from lamp to lens.
- Only 4" deep.
- Spring-loaded latches.
- Turned up edges for safe handling.
- Black housing for cooler ballast operating temperature.
- Mitered lens frame, flange and trim.
- Door jamb finished black on four sides for positive light stop.
- UL-Listed twin knockout access plate.
- 2 hold-down clips (standard).
- Metal gauge and construction to meet NYC Code or Chicago Plenum requirements is available.



Mounting Methods



Dimensions



Job Information

Type:

Job Name:

Cat. No.:

Lamp(s):

Volts/Ballast:

For Factory Technical Information: (978) 657-7600 • Fax (978) 658-0595
 631 Airport Road, Fall River, MA 02720 • (508) 679-8131 • Fax (508) 674-4710
 We reserve the right to change details of design, materials and finish.
 www.lightolier.com © 2009 a Philips Group

09/09

Section 1A/Folio E60-10 Rev. B

Recessed Fluorescent 1' x 4', with Full Size Lens Frame Static, 2 Lamps T8 or T5

Model No. SPS1GFSVA232UNVHI

LER = FP - 59.1 IW - 56 BF - 0.88
Comparative yearly lighting energy cost per 1000 lumens = \$4.07

Report Number: G2005326
Catalog Number: SPS1GFSVA232UNVHI
Lamps: F32T8
Luminaire: 1' x 4' SpecPlus with regressed aluminum door frame and extruded virgin acrylic shielding .095" nominal thickness (similar to pattern 12).
Ballast: B2321UNV HP-B
Report is based on 2350 Lumens per lamp.
Efficiency: 65.5%
CIE Type-Direct-Indirect
Plane: 0-Deg 90-Deg
Spacing Criteria: 1.2 1.4
Shielding Angles: 90 90
Plane: 0-Deg 90-Deg
Luminous Length: 48.000 12.000

CANDELA DISTRIBUTION

	0.0	45.0	90.0	FLUX
0	1508	1508	1508	
5	1485	1502	1516	143
15	1419	1465	1505	414
25	1289	1382	1455	635
35	1099	1214	1304	754
45	826	944	987	716
55	551	646	648	553
65	311	314	325	318
75	165	134	144	158
85	50	33	20	40
90	0	0	0	

LUMINANCE DATA IN CANDELA/SQ. METER

AVERAGE IN DEG.	AVERAGE 0-DEG.	AVERAGE 45-DEG.	AVERAGE 90-DEG.
45	3142.	3591.	3755.
55	2584.	3030.	3039.
65	1980.	1999.	2069.
75	1715.	1393.	1497.
85	1543.	1019.	617.

ZONAL LUMEN SUMMARY

ZONE	LUMENS	% LAMP	% FIXT
0-30	1192	20.9	32.0
0-40	1946	34.1	52.2
0-60	3215	56.4	86.2
0-90	3731.	65.5	100.0
90-180	0	0.0	0.0
0-180	3731	65.5	100.0

COEFFICIENTS OF UTILIZATION - ZONAL CAVITY METHOD. EFFECTIVE FLOOR CAVITY REFLECTANCE 0.20

RC	80	50	30	10	50	30	10
RW 70	50	30	10	50	30	10	
1	72	69	67	65	63	61	60
2	66	61	57	58	55	52	53
3	61	54	49	51	47	44	50
4	56	48	43	46	42	38	45
5	52	44	38	42	37	33	40
6	48	39	34	38	33	30	37
7	44	36	30	34	30	26	33
8	41	33	27	32	27	24	31
9	39	30	25	29	25	21	28
10	36	28	23	27	22	19	26

Model No. SPS1GFSKA232UNVHI

LER = FP - 58.1 IW - 56.1 BF - 0.88
Comparative yearly lighting energy cost per 1000 lumens = \$4.14

Report Number: G2005330
Catalog Number: SPS1GFSKA232UNVHI
Lamps: F32T8
Luminaire: 1' x 4' SpecPlus with flat steel door frame and extruded virgin acrylic shielding .156" nominal thickness (similar to K19 pattern).
Ballast: B2321UNVHP-B
Report is based on 2350 Lumens per lamp.
Efficiency: 65.1%
CIE Type-Direct-Indirect
Plane: 0-Deg 90-Deg
Spacing Criteria: 1.2 1.3
Shielding Angles: 90 90
Plane: 0-Deg 90-Deg
Luminous Length: 48.000 12.000

CANDELA DISTRIBUTION

	0.0	45.0	90.0	FLUX
0	1835	1835	1835	
5	1808	1822	1837	173
15	1716	1761	1800	498
25	1573	1660	1731	764
35	1366	1471	1541	908
45	866	845	775	666
55	301	436	273	354
65	130	170	120	187
75	111	104	109	118
85	43	41	36	45
90	3	3	2	

LUMINANCE DATA IN CANDELA/SQ. METER

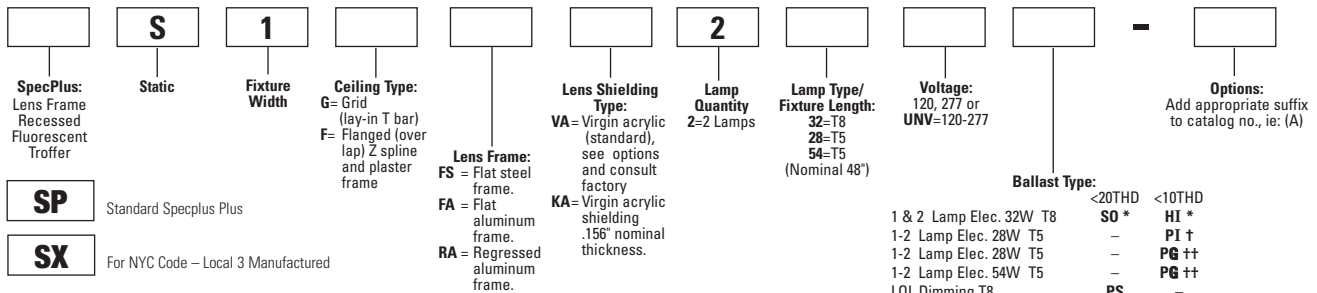
AVERAGE IN DEG.	AVERAGE 0-DEG.	AVERAGE 45-DEG.	AVERAGE 90-DEG.
45	3294.	3215.	2948.
55	1412.	2045.	1280.
65	827.	1082.	764.
75	1154.	1081.	1133.
85	1327.	1265.	1111.

ZONAL LUMEN SUMMARY

ZONE	LUMENS	% LAMP	% FIXT
0-30	1436	25.2	38.7
0-40	2343	41.1	63.1
0-60	3363	59.0	90.6
0-90	3713	65.1	100.0
90-180	0	0.0	0.0
0-180	3713	65.1	100.0

Ordering Information

Explanation of Catalog Number. Example: SPS1GFSVA232UNVHI



Other dimming options. Consult factory.
*Instant Start Standard.
†Instant start (120, 277).
††Program Rapid Start (UNV only).
NOTE: For T8 UNV, you must use HI Ballast Code.

Options/Accessories

Special Lenses: Substitute VI for .125" nominal pattern. For other lenses, consult factory.
Access Plate: Top wiring access plate is shipped with fixture as standard. When access plates are required in advance for wiring convenience, specify separately. Order Catalog Number: **ACP5 CSP**.
Continuous Row Installation: For F type fixtures, half-width flanges are required between fixtures. Order Catalog Number: **1FC TRIM CSP** (each joint).
Plaster Frames: F type fixtures do not include plaster frames. For individual or continuous mounting, specify **PF14** universal frame per fixture.
Electrical Wiring Options: Consult factory.
Fusing: Internal fast-blow fusing. SUFFIX **A**. Internal slow-blow fusing. SUFFIX **C**.
Drywall Kit: Order Catalog Number: **FK91X4**. (Request Folio OA30-10 Rev. A).
Chicago Plenum: SUFFIX: **C**.

Specifications

Performance: In an installation of 2 lamp 32W luminaires in a room cavity ratio of 1, reflectance 80% ceiling, 50% wall, 20% floor, the C.U. shall not be less than .69. To control veiling reflections, luminaire output in the 30°-90° zone shall not be less than 68%.
Materials: Chassis parts are die-formed code gauge cold rolled steel. Housing is contoured for rigidity with all edges turned up for safe handling.

Specifications (continued)

Lens Frame: (FS) flat full-size steel frame, (FA) flat full-size extruded aluminum frame (RA) regressed full-sized extruded aluminum frame.
Finish: Chassis exterior-black baked polyester enamel. Cavity-white baked polyester enamel minimum 86% reflectance. Phosphate undercoating. Lens-VA extruded virgin acrylic 3/16" square based female cones, running 45° to the panel edge. .095" nominal thickness (similar to pattern 12). KA extruded virgin acrylic .156" nominal thickness (similar to pattern K19).
Electrical: Thermally protected class "P" ballast C.B.M. approved, non PCB. If K.O. is within 3" of ballast, use wire suitable for at least 90°.
Labels: I.B.E.W. UL and ULc Listed.
This product may have a mercury containing lamp.
Manage in accord with Disposal Laws. See: www.lamprecycle.org

Job Information

Type:

For Factory Technical Information: (978) 657-7600 • Fax (978) 658-0595
631 Airport Road, Fall River, MA 02720 • (508) 679-8131 • Fax (508) 674-4710
We reserve the right to change details of design, materials and finish.
www.lightolier.com © 2009 a Philips Group

Section 1A/Folio E60-10 Rev. B