

Skyway LED SKS2GPK8802UNVL59

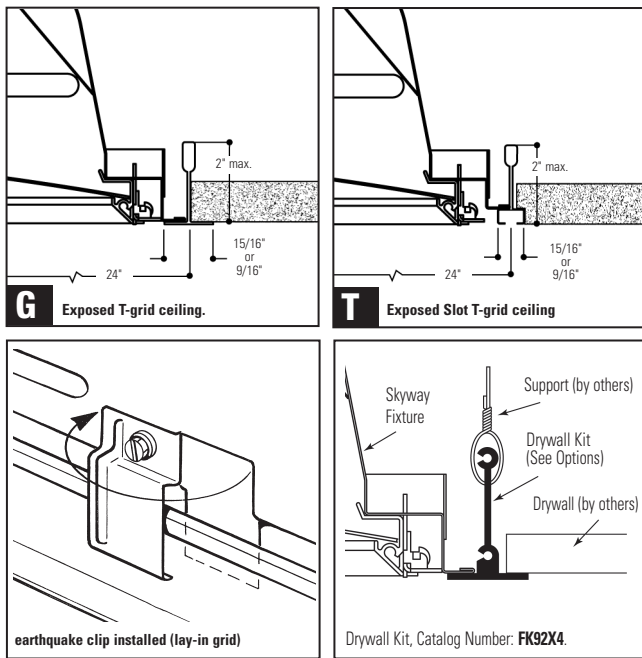
2' x 2' Recessed Luminaire, Tri-Lens Troffer
Static or Air Supply/Return, LED

Features

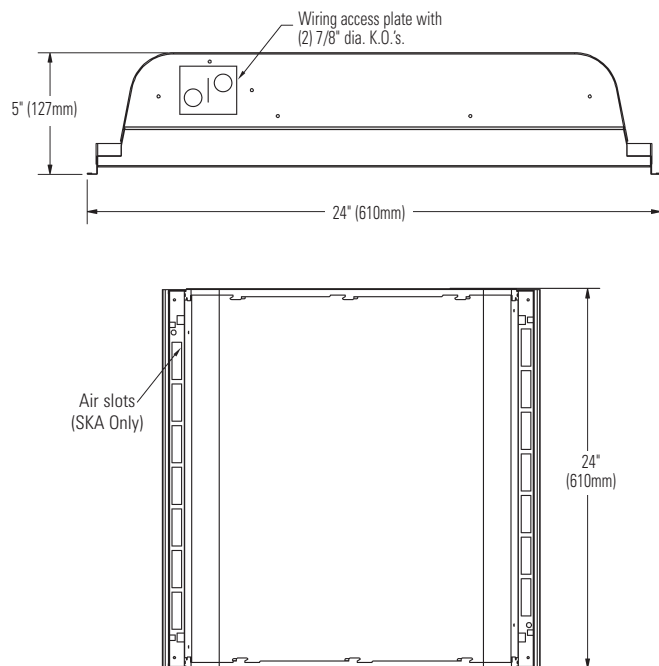
- Aesthetically pleasing triple lens design.
- Curved high light transmission frost white acrylic side lenses.
- Clear acrylic conical prismatic center lens.
- Field replaceable LED array and drivers accessible from below.
- Integrated thermal management system conducts heat away from LEDs and transfers it to the surrounding environment.
- Black body to dissipate heat from LEDs.
- Long life LED with 3274 lumen output.
- 5" deep body.
- Hemmed over side rails for maximum safety.
- Fixture ends turned-in for safe handling.
- Earthquake/Hold-down clips (4).
- Door jamb finished black on four sides for positive light stop.
- True mitered corner aluminum lens frame.
- Spring loaded rooster head latches.
- 18 gauge steel hinges.
- Construction to meet NYC Code Requirements or Chicago Plenum is available.



Mounting Methods



Dimensions



Job Information Type:

Job Name:

Cat. No.:

Lamp(s):

Volts/Ballast:

Skyway LED SKS2GPK8802UNVL59

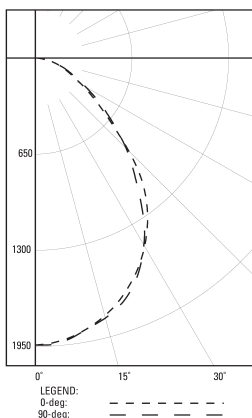
2' x 2' Recessed Luminaire, Tri-Lens Troffer
Static or Air Supply/Return, LED

Photometry

Model No. SKS2GPK8802UNVL59

Report Number: G2010131¹
 Catalog Number: SKS2GPK8802UNVL59
 Output lumens: 3274
 Correlated Color Temp²: 4000k
 Input Watts: 59
 Efficacy: 56.7 lm/w
 CRI: 80 minimum
 Lamp: (8) LED Boards
 Luminaire: Skyway Recessed LED 2' x 2' fixture
 prismatic acrylic tri-lens assembly.
 CIE Type-Direct-Indirect
 Plane: 0-Deg 90-Deg
 Spacing Criteria: 1.1 1.2
 Shielding Angles: 90 90
 Plane: 0-Deg 90-Deg
 Luminous Length: 22.800 22.800

CANDELA DISTRIBUTION PLOT



CANDELA DISTRIBUTION

	0.0	45.0	90.0	LUMENS
0	1642	1642	1642	
5	1624	1627	1633	154
15	1526	1524	1540	432
25	1356	1366	1375	627
35	1114	1080	1061	677
45	752	711	731	563
55	412	460	447	404
65	227	258	244	255
75	121	114	120	131
85	27	25	26	30
90	3	3	3	

COEFFICIENTS OF UTILIZATION – ZONAL CAVITY METHOD, EFFECTIVE FLOOR CAVITY REFLECTANCE 0.20

RC	80	50	30	10	50	30	10
RW	70	50	30	10	50	30	10
1	110	106	103	100	97	95	96
2	102	95	89	89	85	81	86
3	94	85	77	80	74	70	77
4	87	76	68	72	66	61	70
5	80	69	61	66	59	54	64
6	75	63	54	60	53	48	58
7	70	57	49	55	48	43	54
8	65	53	45	51	44	39	50
9	61	49	41	47	40	36	46
10	58	45	38	44	37	33	43

ZONAL LUMEN SUMMARY

ZONE	LUMENS	% LAMP	% FIXT
0- 30	1213	37.1	37.1
0- 40	1890	57.7	57.7
0- 60	2857	87.3	87.3
0- 90	3274	100.0	100.0
90-180	0	0.0	0.0
0-180	3274	100.0	100.0*

*Total Efficiency

¹Tested using absolute photometry as specified in LM79: IESNA Approved Method for the Electrical and Photometric Measurements of Solid-State Lighting Products.

²Correlated Color Temperature within specs as defined in ANSI/NEMA/ANSI C78.377-2008: Specifications for the Chromaticity of Solid State Lighting Products.

Ordering Information

Explanation of Catalog Number. Example: SKS2GPK8802UNVL59

<div style="border: 1px solid black; width: 40px; height: 20px; margin: 0 auto;"></div> <p>Skyway Recessed Luminaire</p>	<div style="border: 1px solid black; width: 40px; height: 20px; margin: 0 auto;"></div> <p>Body Style: S = Static A = Air</p>	<div style="border: 1px solid black; width: 40px; height: 20px; margin: 0 auto; text-align: center; font-weight: bold;">2</div> <p>Fixture Width</p>	<div style="border: 1px solid black; width: 40px; height: 20px; margin: 0 auto;"></div> <p>Ceiling Type: G = Standard Grid T = Slot Grid</p>	<div style="border: 1px solid black; width: 40px; height: 20px; margin: 0 auto; text-align: center; font-weight: bold;">PK</div> <p>Lens: PK= Pattern 19, 156 Virgin Acrylic Lens Center lens with Frost White Acrylic Lens Side Lens</p>	<div style="border: 1px solid black; width: 40px; height: 20px; margin: 0 auto; text-align: center; font-weight: bold;">880</div> <p>LED Configuration</p>	<div style="border: 1px solid black; width: 40px; height: 20px; margin: 0 auto; text-align: center; font-weight: bold;">2</div> <p>Fixture Length</p>	<div style="border: 1px solid black; width: 40px; height: 20px; margin: 0 auto; text-align: center; font-weight: bold;">UNV</div> <p>Voltage: UNV=120-277</p>	<div style="border: 1px solid black; width: 40px; height: 20px; margin: 0 auto; text-align: center; font-weight: bold;">L59</div> <p>LED Driver</p>
---	--	---	---	--	---	--	--	--

<div style="border: 1px solid black; width: 40px; height: 20px; margin: 0 auto; text-align: center; font-weight: bold;">SK</div> <p>Standard Skyway</p>	<div style="border: 1px solid black; width: 40px; height: 20px; margin: 0 auto; text-align: center; font-weight: bold;">SY</div> <p>For NYC Code – I.B.E.W. Manufactured</p>
---	--

Specifications

Materials: Chassis parts are die-formed code gauge cold rolled steel. Housing with side rails hemmed over and housing ends turned-in for safe handling.

Air Handling: (SKA only) side air passages for air supply or air return.

Finish: Chassis exterior—black baked polyester enamel.

Cavity—white baked polyester enamel minimum 95% reflectance.
Phosphate undercoating.

Lens: Proprietary high quality frost white acrylic and clear conical prism lens assembly.

Options/Accessories

Electrical Wiring Options: Consult factory.

Drywall Kit: Order Catalog Number: **FK92X2**. (Request Folio OA30-10 Rev. B).

Job Information	Type:
-----------------	-------