

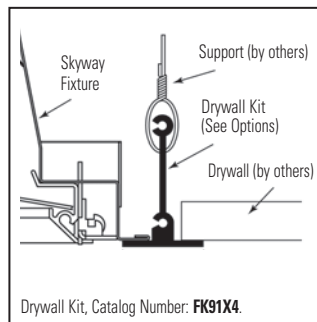
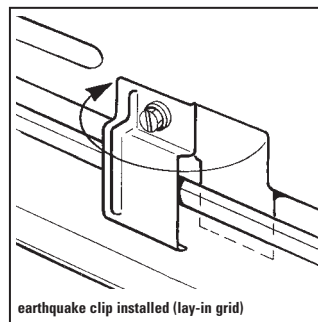
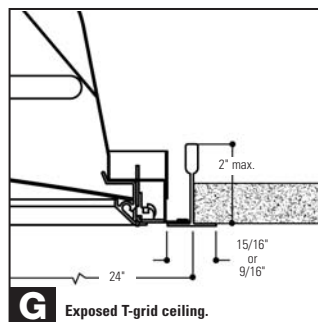
## 1' X 4' Recessed Fluorescent, Tri-Lens Frame Static or Air Supply/Return, 1 or 2 Lamp T8 or T5

### Features

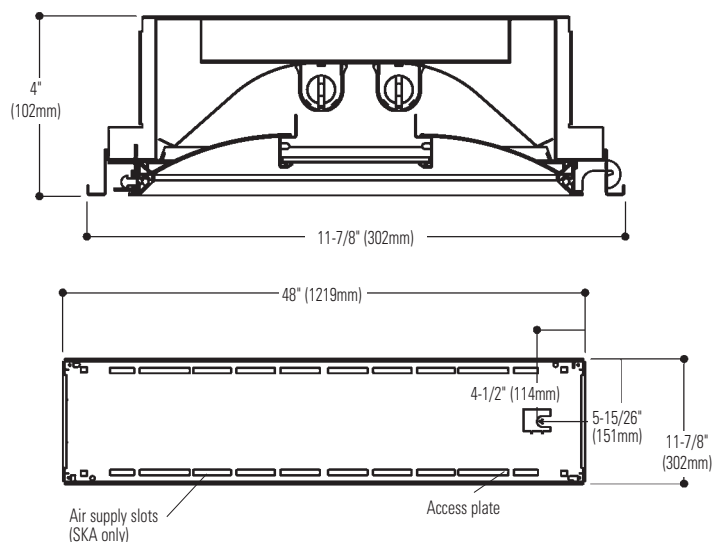
- Aesthetically pleasing triple lens design.
- Curved high light transmission frost white acrylic side lenses.
- Clear acrylic conical prismatic center lens.
- Internal reflector coated with 95% reflective white paint.
- 66.4% efficient 2 Lamp 32 watt T8.
- 4" deep body.
- Black housing exterior for cooler ballast operating temperature.
- Eyeleted heat removal vents in fixture ends.
- Hemmed over side rails for maximum safety.
- Fixture ends turned-in for safe handling.
- Built-in earthquake clips.
- Door jamb finished black on four sides for positive light stop.
- True mitered corner aluminum lens frame.
- Spring loaded rooster head latches.
- 18 gauge steel hinges.
- Construction to meet NYC Code Requirements or Chicago Plenum is available.



### Mounting Methods



### Dimensions



### Job Information Type:

**Job Name:**

**Cat. No.:**

**Lamp(s):**

**Volts/Ballast:**

## 1' X 4' Recessed Fluorescent, Tri-Lens Frame Static or Air Supply/Return, 1 or 2 Lamp T8 or T5

### Model No. SKS1GPK232UNVC5

LER = FP - 63.9 IW - 4936 BF - 0.77  
Comparative yearly lighting energy cost per  
1000 lumens = \$3.75

Report Number: G2009086  
Catalog Number: SKS1GPK232UNVC5  
Lamps: (2) F32T8/ADV/841/ALTO  
Luminaire: Skyway Recessed 1' x 4' fixture  
prismatic acrylic lens assembly.  
Ballast: IOP-2P32-LW-SC  
Report is based on 3100 Lumens per lamp.  
Efficiency: 66.4%  
CIE Type-Direct-Indirect  
Plane: 0-Deg 90-Deg  
Spacing Criteria: 1.2 1.2  
Shielding Angles: 90 90  
Plane: 0-Deg 90-Deg  
Luminous Length: 46.600 9.600

#### CANDELA DISTRIBUTION

	0.0	45.0	90.0	FLUX
0	2009	2009	2009	
5	1975	1994	2006	189
15	1892	1894	1898	535
25	1739	1722	1709	794
35	1506	1420	1342	888
45	1121	943	862	748
55	575	571	435	493
65	280	291	200	285
75	159	113	121	150
85	48	23	19	37
90	0	0	0	

#### COEFFICIENTS OF UTILIZATION – ZONAL CAVITY METHOD. EFFECTIVE FLOOR CAVITY REFLECTANCE 0.20

RC	80	50	30
RW 70	50	30	10
1	72 71 68 66 65 63 64 62 61		
2	68 63 59 60 57 54 57 55 53		
3	63 56 52 54 50 47 52 49 46		
4	58 51 46 48 44 41 47 43 40		
5	54 46 41 44 39 36 43 39 36		
6	50 42 36 40 36 32 39 35 32		
7	47 38 33 37 32 29 36 32 29		
8	43 35 30 34 29 26 33 29 26		
9	41 32 27 31 27 24 31 27 24		
10	38 30 25 29 25 22 29 25 22		

#### ZONAL LUMEN SUMMARY

ZONE	LUMENS	% LAMP	% FIXT
0- 30	1518	24.5	36.9
0- 40	2407	38.8	58.4
0- 60	3647	58.8	88.5
0- 90	4119	66.4	100.0
90-180	0	0.0	0.0
0-180	4119	66.4	100.0

#### LUMINANCE DATA IN CANDELA/SQ. METER

AVERAGE IN DEG.	AVERAGE 0-DEG.	AVERAGE 45-DEG.	AVERAGE 90-DEG.
45	5611.	4720.	4315.
55	3548.	3524.	2678.
65	2345.	2437.	1675.
75	2176.	1545.	1655.
85	1949.	934.	772.

### Ordering Information

Explanation of Catalog Number. Example: SKS1GPK232UNVHI

<b>SK</b> Standard Skyway									<b>Ballast Type:</b>	
<b>SY</b> For NYC Code – I.B.E.W. Manufactured									<20THD <b>SO*</b>	<10THD <b>HI*</b>
									1 or 2 Lamp Elec. T8 Advance Optanium 1 or 2 Lamp Elec. T8 LOL Dimming T8 1 or 2 Lamp Elec. T5 (28 Watt) 1 or 2 Lamp Elec. T5HO (54 Watt)	Ballast Factor <b>0.88</b>
									<b>PS</b>	<b>C5*</b>
										<b>PG ††</b>
										<b>PG ††</b>

### Options/Accessories

**Fusing:** Internal fast blow fusing: SUFFIX: **A**.

Internal slow blow fusing: SUFFIX: **C**.

**Drywall Kit:** Order Catalog Number: **FK91X4**.

**Electrical Wiring Options:** Consult factory.

**For motion or light sensor:** See Folio OA20-10 and OA20-30.

### Specifications

**Performance:** In an installation of a 2 lamp 32W luminaire in a room cavity ratio of 1, with reflectance 80% ceiling, 50% wall, 20% floor, the C.U. shall not be less than .71. To reduce glare the average brightness at 65° shall not exceed 1675 candelas per square meter. To control veiling reflections, luminaire output in the 30°-90° zone shall not be less than 63.1%.

**Air Handling: (SKA only)** side air passages for air supply or air return. Supply air is discharged vertically. Optional side closure strips. Air return is also provided through the lamp compartment through fixture body ends.

**Materials: Chassis parts** are die-formed code gauge cold rolled steel. Housing has side rails hemmed over and housing ends turned-in for safe handling.

**Finish: Chassis exterior**—black baked polyester enamel. **Reflectors**— 95% reflective white powder coated. Rust preventative undercoating.

### Specifications (continued)

**Lens:** Proprietary high quality frost white acrylic and clear conical prism lens assembly.

**Electrical:** Thermally protected class "P" ballast C.B.M. approved, non PCB. If K.O. is within 3" of ballast, use wire suitable for at least 90°.

UL Listed for damp locations.

**Labels:** I.B.E.W./UL and ULc Listed.

This product may have a mercury containing lamp. Manage in accord with Disposal Laws. See: www.lamprecycle.org

### Job Information Type: