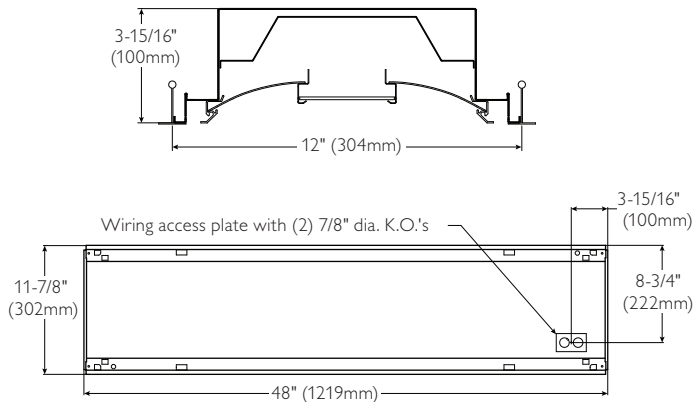


## Recessed 1'X4' Luminaire, LED



### Ordering Information

Skyway	Body Style	Fixture Size	Ceiling Type	Lens	Lumen Category	Color Temp.	Voltage	Driver Type	Options
<b>SK</b> Direct-Indirect Recessed Luminaire	<b>A</b> = Air <b>S</b> = Static	<b>14</b> 14 = 1' X 4' (Nominal size)	<b>G</b> = Standard Grid		<b>20A</b> = 2000 lumens <b>25A</b> = 2500 lumens <b>29A</b> = 2900 lumens <b>33A</b> = 3300 lumens (Approximate delivered values. Consult IES file)	<b>40</b> = 4000K Consult representative for other color temperature options. (Approximate values. Consult IES file)	<b>U</b> = Universal 120-277v	<b>LAG</b> = LED Driver Consult representative for dimming options	- Add appropriate suffix to catalog no., i.e.: (C)
<p><b>PK</b> = Pattern 19, 0.156 virgin acrylic center lens with frost white acrylic side lenses.</p> <p><b>PP</b> = Frost white acrylic center lens with frost white acrylic side lenses.</p>									

### Features

- Aesthetically pleasing triple lens design.
- Curved high light transmission frost white acrylic side lenses.
- Clear acrylic conical prismatic center lens.
- Can provide 36 initial footcandles at 0.56 watts per square foot.
- Delivers 2874 lumens with just 45 input watts.
- Field replaceable LED array and drivers accessible from below.
- Integrated thermal management system conducts heat away from LEDs and transfers it to the surrounding environment.
- Intelligent driver technology, our LitePlane platform, is a factory calibrated system providing the customer multiple lumen outputs to balance energy savings with lighting application needs.
- High efficiency LEDs have 50,000 hour rated life at L<sub>70</sub>.
- Predicted L70 lifetime is based on LED manufacturer's supplied LM-80 data and in-situ laboratory testing.
- Black body to dissipate heat from LEDs.
- 3-15/16" deep body.
- Fixture ends turned-in for safe handling.
- Earthquake/Hold-down clips.
- Door jamb finished black on four sides for positive light stop.
- True mitered corner aluminum lens frame.

- Spring loaded rooster head latches.
- 18 gauge steel hinges.
- Construction to meet NYC Code Requirements or Chicago Plenum is available.
- Suitable for continuous row mounting.
- Five-year warranty on luminaire, LED boards and driver.

Job Information	Type:
Job Name:	
Cat. No.:	
Notes:	

### Specifications

**Materials:** Chassis parts are die-formed code gauge cold rolled steel. Housing ends turned-in for safe handling.

**Finish: Chassis exterior**—black baked polyester enamel.

**Cavity**—white baked polyester enamel minimum 95% reflectance. Rust preventative undercoating.

**Lens: PK**—Proprietary high quality frost white acrylic and clear conical prism lens assembly. **PP**—Proprietary high quality frost white acrylic lens assembly.

**Electrical:** LED boards and drivers are RoHS (Restriction of Hazardous Substances) compliant. For dimming options consult factory.

**Labels:** I.B.E.W. UL and ULc Listed.

### Options/Accessories

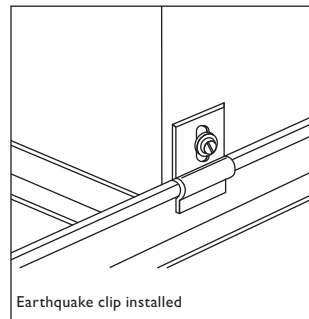
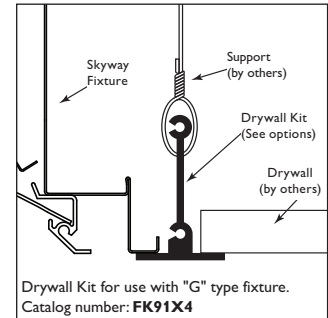
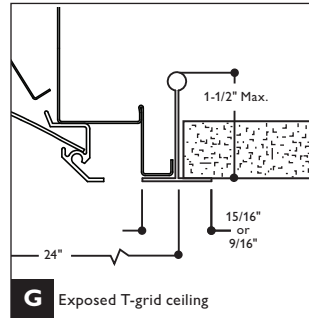
**Electrical Wiring Options:** Consult factory.

**Drywall Kit:** Order Catalog Number: **FK91X4**.

**Fusing:** Internal fast blow fusing: Suffix: **A**.  
Internal slow blow fusing: Suffix: **C**.

**Chicago Plenum:** Suffix: **C**.

### Mounting Methods



Job Information Type:

### Photometry

Report Number!: G2011174  
 Catalog Number: SKS14GPK29A40ULAG  
 Delivered Lumens: 2874  
 Correlated Color Temp.<sup>2</sup>: 3995K  
 Input Watts: 45.0  
 Efficacy: 63.9 lm/w  
 CRI: 85.1  
 Lamp: LED  
 Luminaire: Skyway Recessed LED  
 1' x 4' fixture with prismatic acrylic tri-lens assembly.  
 CIE Type: Direct/Indirect  
 Plane: 0-Deg. 90-Deg.  
 Shielding Angles: 90 90  
 Plane: 0-Deg. 90-Deg.  
 Luminous Length: 45.000 9.000

### Candela Distribution

Vertical Angle	Horizontal Angle		Zonal Lumens
	0	45 90	
0	1547	1575 1575	
5	1472	1556 1567	148
15	1328	1476 1477	415
25	1114	1274 1203	585
35	726	949 858	605
45	377	606 565	485
55	211	365 286	320
65	134	189 122	190
75	39	71 68	100
85	4	19 15	26
90	6	4 3	

### Coefficients of Utilization

Ceiling	80%			50%			30%			
	70	50	30	50	30	10	50	30	10	
RC	Zonal Cavity Method									
RW	Effective Floor Reflectance = 20%									
Room Cavity Ratio	1	111	107	103	100	98	95	97	94	92
2	102	95	90	90	86	82	87	83	80	
3	95	86	79	81	76	71	79	74	70	
4	88	77	70	74	68	63	72	66	62	
5	82	70	62	67	61	56	65	60	55	
6	76	64	56	62	55	50	60	54	50	
7	71	59	51	57	50	45	55	49	45	
8	67	54	47	52	46	41	51	45	41	
9	63	50	43	49	42	37	48	42	37	
10	59	47	39	45	39	34	44	39	34	

### Zonal Lumen Summary\*

Zone	Lumens	% Lamp	% Fixt.
0-30	1148	39.9	39.9
0-40	1753	61.0	61.0
0-60	2558	89.0	89.0
0-90	2874	100.0	100.0
0-180	2874	100.0	100.0

\*Total Efficiency

<sup>1</sup> Tested using absolute photometry as specified in LM79: IESNA Approved Method for the Electrical and Photometric Measurements of Solid-State Lighting Products.

<sup>2</sup> Correlated Color Temperature within specs as defined in ANSI\_NEMA\_ANSLG C78.377-2008: Specifications for the Chromaticity of Solid State Lighting Products.

### Average Luminance data in candela / sq. meter

Angle	0°	45°	90°
45	3690.	3080.	2872.
55	2362.	2287.	1792.
65	1794.	1607.	1037.
75	1861.	986.	944.
85	1608.	783.	619.

### Additional Ordering Information

Catalog Number	Delivered Lumens	Input Watts	Lumens per Watt	Average initial 8'X8' footcandles	8'X8' Watts per sq. foot	Average initial 8'X10' footcandles	8'X10' Watts per sq. foot
SKS14GPK20A40ULAG	1999	30.1	66.4	31.2	0.47	25.0	0.38
SKS14GPK25A40ULAG	2508	38.5	65.1	39.2	0.60	31.4	0.48
SKS14GPK29A40ULAG	2874	45.0	63.9	44.9	0.70	35.9	0.56
SKS14GPK33A40ULAG	3259	52.9	61.6	50.9	0.83	40.7	0.66



Philips Lightolier  
 e: lol.webmaster@philips.com  
 t: (508) 679-8131, Technical info. (978) 657-7600  
 w: www.lightolier.com

SKS14G March 8, 2012

Specifications are subject to change without notice.  
 © Koninklijke Philips Electronics N.V., 2012. All rights reserved.

**Job Information** Type: