

## Ordering Information

<b>SC</b>	<b>2</b>	<b>3</b>		<b>1</b>	<b>5</b>	
<b>Style</b> SC = Solid	<b>Lamps</b> 2 = Lamps	<b>Length</b> 3 = 3 Foot	<b>Wattage</b> 7 = 39W 8 = 39W Dimming	<b>Voltage</b> 1 = 120V	<b>Color</b> AL = Aluminum WH = White	<b>Mounting</b> F = Floor Stand P = Panel Bolt-on E = Expandable Bracket B = Binder Bin

**Example = SC2371ALP**

## Features

**Housing:** Extruded aluminum. Die-cast end plate mechanically attached with no exposed fasteners.

**Shielding:** Die-formed 18 gauge CRS. SD is Die-formed pierced 18 gauge CRS.

**Finish:** Powder coat baked enamel. Standard colors: white or aluminum.

**Lamp:** 2x39 watt T5HO lamps (included).

**Ballast:** Electronic and meets ANSI starting, end of life protection, THD and sound rating specifications.

**Switching:** On/off switch on stem. Optional cord switch available.

**Wiring:** 3-wire cord with grounded low profile plug. Minimum length 9 feet.

**Listing:** UL/cUL listed.

## Job Information

## Type:

**Job Name:**

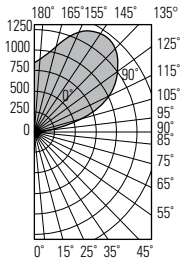
**Cat. No.:**

**Lamp(s):**

**Notes:**

**Candlepower Curve**

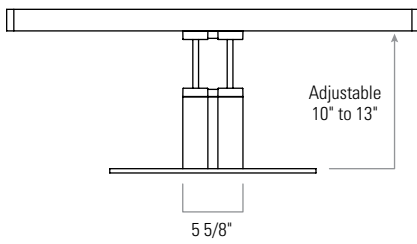
**Report No:**  
LRL299-ID.MOD  
**Catalog No:**  
SC2371xxx  
**Lamps:**  
2-F39T5/HO  
**Lumens:**  
3500 each  
**Efficiency:**  
82.3%



**Coefficients of Utilization**

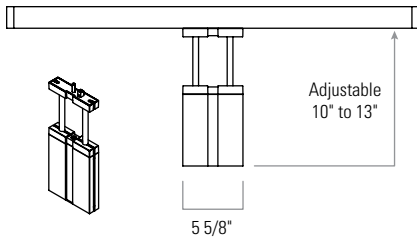
	% Effective Ceiling Cavity Reflectance								
	80			70			50		
	% Wall Reflectance								
	50	30	10	50	30	10	50	30	10
0	57	57	57	48	48	48	33	33	33
1	49	47	45	42	40	39	29	28	27
2	43	39	37	37	34	32	25	23	22
3	37	33	30	32	29	26	22	20	18
4	33	29	25	28	25	22	19	17	16
5	29	25	22	25	21	19	17	15	13
6	26	22	18	22	19	16	15	13	11
7	23	19	16	20	16	14	14	12	10
8	21	17	14	18	15	12	12	10	9
9	19	15	12	16	13	11	11	9	8
10	17	13	11	15	12	9	10	8	7

% Downlight: .1%    % Uplight: 99.9%



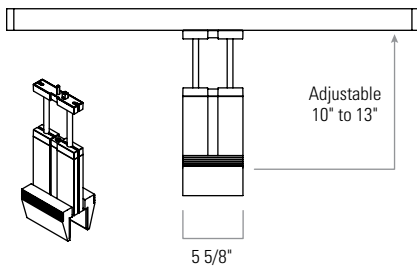
**Binder Bin Mount  
Weighted Base**

Weighted base allows fixture to sit atop shelves or overhead cabinets. Not recommended for use in seismic areas.



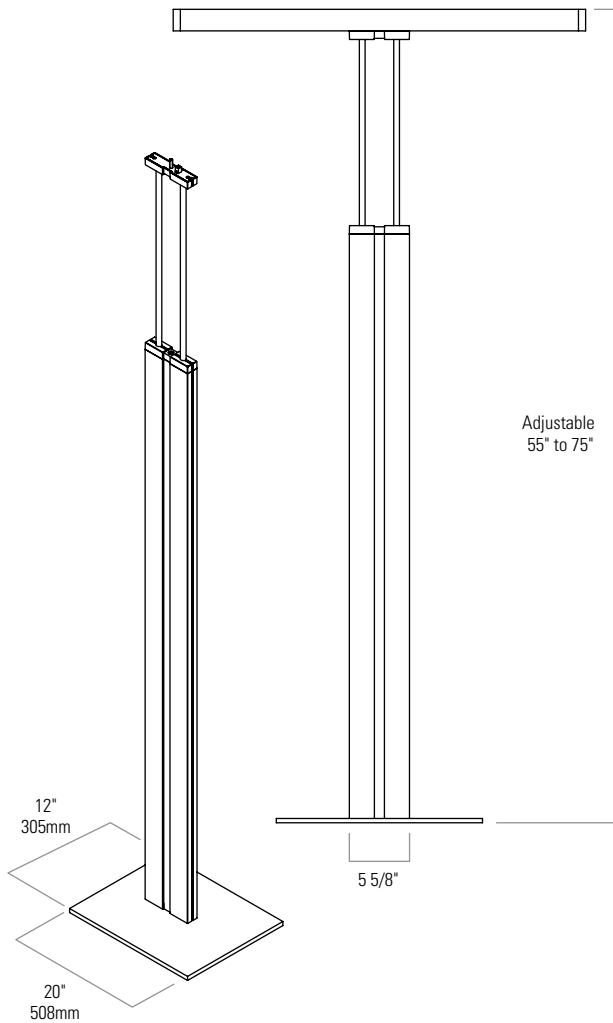
**Panel Mount (Bolt-On)**

Bolts to the top of furniture systems or short walls. A small steel bracket is bolted through the top cap. The stem assembly slides onto this bracket and is held in place with hidden set screws.



**Expandable Bracket**

This adjustable bracket clamps onto furniture systems ranging from 2" to 4" thick.



**Floor Stand**

**Job Information** **Type:**

Lightolier a Genlyte company www.lightolier.com  
 631 Airport Road, Fall River, MA 02720 • (508) 679-8131 • Fax (508) 674-4710  
 We reserve the right to change details of design, materials and finish.  
 © 2007 Genlyte Group LLC • A0107