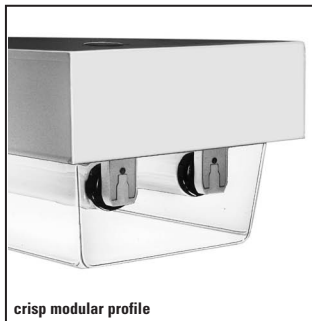


Features

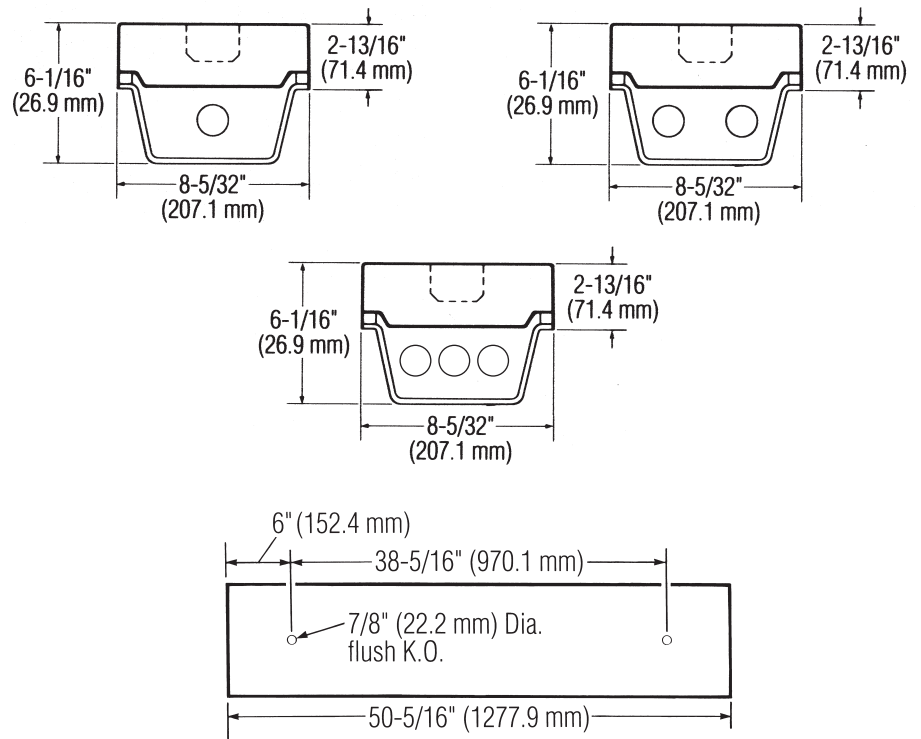
- UL-Listed for damp and wet locations.
- For industrial or commercial applications.
- Crisp modular design.
- Available in 4' one piece body.
- Continuous closed-cell gasketing at all seal points.
- Smooth one-piece water-clear acrylic lens.
- Lock-tight cam-action latches.
- Water-tight hubs for electrical feed on wet location models.
- Wet location fixtures available.
- Metal/gauge/construction meets NYC Code requirements.



Mounting Methods



Dimensions



Job Information

Type:

Job Name:

Cat. No.:

Lamp(s):

Volts/Ballast:

For Factory Technical Information: (978) 657-7600 • Fax (978) 658-0595
631 Airport Road, Fall River, MA 02720 • (508) 679-8131 • Fax (508) 674-4710

We reserve the right to change details of design, materials and finish.

www.lightolier.com © 2009 a Philips Group

Section 7/Folio Q30-21 Rev. D

06/08

Model No. SC4DC232120SO

LER = FP - 72.8 IW - 53.8 BF - 0.87
Comparative yearly lighting energy cost per 1000 lumens = \$3.30

Report Number: G92060
Catalog Number: SC4DC232120SO
Lamps: F32T8
Luminaire: Cleanlite enclosed industrial with clear one-piece acrylic lens.
Ballast: Triad B2321120RH-A
Report is based on 2850 Lumens per lamp.
Efficiency: 79.0%
CIE Type-Direct-Indirect
Plane: 0-Deg 90-Deg
Spacing Criteria: 1.2 1.5
Shielding Angles: 90 90

CANDELA DISTRIBUTION

	0.0	45.0	90.0
0	1032	1032	1032
5	1022	1034	1047
15	979	1020	1057
25	899	992	1068
35	785	940	1058
45	642	870	1070
55	473	818	983
65	290	667	806
75	124	493	653
85	27	311	458
90	12	231	367

COEFFICIENTS OF UTILIZATION - ZONAL CAVITY METHOD. EFFECTIVE FLOOR CAVITY REFLECTANCE 0.20

RC	80	50	30	10	50	30	10		
1	80	75	71	71	68	65	67	64	62
2	71	64	58	60	56	51	57	53	49
3	64	56	49	52	47	42	49	44	40
4	58	49	42	46	40	35	43	38	34
5	53	43	36	41	34	30	39	33	29
6	49	39	31	37	30	26	35	29	25
7	45	35	28	33	27	22	31	26	22
8	42	32	25	30	24	20	29	23	19
9	39	29	22	28	22	18	26	21	17
10	37	27	20	25	20	16	24	19	16

LUMINANCE DATA IN CANDELA/SQ. METER

AVERAGE IN DEG.	AVERAGE 0-DEG.	AVERAGE 45-DEG.	AVERAGE 90-DEG.
45	4256.	4473.	5156.
55	3770.	4644.	5139.
65	3020.	4376.	4769.
75	1939.	3978.	4608.
85	903.	3389.	4159.

ZONAL LUMEN SUMMARY

ZONE	LUMENS	% LAMP	% FIXT
0- 30	846	15.0	19.0
0- 40	1431	25.0	32.0
0- 60	2792	49.0	62.0
0- 90	4170	73.0	92.0
90-180	350	6.0	8.0
0-180	4520	79.0	100.0

Model No. SC4DC354120PG

LER = FP - 66.0 IW - 154.9 BF - 1.0
Comparative yearly lighting energy cost per 1000 lumens = \$3.64

Report Number: G2005352
Catalog Number: SC4DC354120PG
Lamps: F54T5 HO
Luminaire: Cleanlite enclosed industrial with clear one-piece acrylic lens.
Ballast: QTP2X54T5/UNV PSN
Report is based on 4400 Lumens per lamp.
Efficiency: 76.6%
CIE Type-Direct-Indirect
Plane: 0-Deg 90-Deg
Spacing Criteria: 1.2 1.5

CANDELA DISTRIBUTION

	0.0	45.0	90.0	FLUX
0	2538	2538	2538	
5	2507	2537	2569	242
15	2401	2525	2593	709
25	2213	2410	2569	1109
35	1943	2265	2516	1412
45	1602	2084	2336	1554
55	1194	1770	2050	1532
65	742	1439	1839	1372
75	320	1138	1433	1069
85	69	575	782	574
90	26	391	581	
95	54	296	520	309
105	44	68	197	115
115	24	72	57	53
125	15	54	63	39
135	10	22	49	20
145	0	0	20	5
155	0	0	0	0
165	0	0	0	0
175	0	0	0	0
180	0	0	0	0

COEFFICIENTS OF UTILIZATION - ZONAL CAVITY METHOD. EFFECTIVE FLOOR CAVITY REFLECTANCE 0.20

RC	80	50	30	10	50	30	10		
1	80	76	72	70	67	64	66	64	61
2	72	65	59	60	55	51	57	53	49
3	65	56	49	52	46	42	49	44	41
4	59	49	42	46	40	35	43	38	34
5	54	44	36	41	34	30	39	33	29
6	50	39	32	36	30	26	35	29	25
7	46	35	28	33	27	23	31	26	22
8	43	32	25	30	24	20	29	24	20
9	40	29	23	28	22	18	26	21	18
10	38	27	21	25	20	16	24	19	16

LUMINANCE DATA IN CANDELA/SQ. METER

AVERAGE IN DEG.	AVERAGE 0-DEG.	AVERAGE 45-DEG.	AVERAGE 90-DEG.
45	9560.	10660.	10455.
55	8568.	10308.	10046.
65	6941.	10084.	10303.
75	4495.	10407.	9715.
85	2070.	7912.	6981.

ZONAL LUMEN SUMMARY

ZONE	LUMENS	% LAMP	% FIXT
0- 30	2061	15.6	20.4
0- 40	3473	26.3	34.3
0- 60	6559	49.7	64.8
0- 90	9574	72.5	94.7
90-120	477	3.6	4.7
90-130	516	3.9	5.1
90-150	541	4.1	5.3
90-180	541	4.1	5.3
0-180	10115	76.6	100.0

Ordering Information

Explanation of Catalog Number. Example: SC4DC232120SO

SC

Cleanlite:
Industrial
Fluorescent
for
Damp
Locations

4

Fixture
Length
4 = 4' Length

Location:
D = Dry and
Damp
Locations
W = Wet
Locations

C

Lens:
C = Clear

Number of
Lamps in
Width:
1, 2 or 3 Lamps

32

Lamp/Watts
(By others)
32 = 32W T8
28 = 28W T5
54 = 54W T5
(Nominal 48")

Voltage:
120, 277 or
UNV=120-277

Ballast Type:

Options:
Add appropriate
suffix to catalog
no. ie: (TP)

Options/Accessories

Tamperproof Latches: Suffix: TP.

Optional Lenses: Lexan lenses or DR acrylic lens. Consult factory.

Specifications

Materials: Chassis shall be 20 gauge steel.

Wireway Cover: Full length retained by fasteners for quick removal and convenient servicing.

Lens: One-piece flanged lens enclosure molded from .125" thick smooth water-clear virgin acrylic. Lens enclosure shall be heavy-duty enclosed and gasketed with closed-cell foam gasketing (permanently attached to fixture housing).

Latches: Lock-tight cam action.

Finish: Chassis shall be phosphate primed and finished in baked white acrylic enamel for not less than 86% reflectivity.

Electrical: Thermally protected class "P" ballast C.B.M. approved, non PCB. If K.O. is within 3" of ballast, use wire suitable for at least 90°.

UL Listed for damp locations.

Labels: I.B.E.W./UL and ULc Listed.

This product may have a mercury containing lamp. Manage in accord with Disposal Laws. See: www.lamprecycle.org

Job Information

Type:

For Factory Technical Information: (978) 657-7600 • Fax (978) 658-0595
631 Airport Road, Fall River, MA 02720 • (508) 679-8131 • Fax (508) 674-4710
We reserve the right to change details of design, materials and finish.
www.lightolier.com © 2009 a Philips Group

Section 7/Folio Q30-21 Rev. D