

## Ordering Information

<b>SB</b>	<b>2</b>	<b>3</b>		<b>1</b>	<b>5</b>	
<b>Style</b> SB = Perforated	<b>Lamps</b> 2 = Lamps	<b>Length</b> 3 = 3 Foot	<b>Wattage</b> 7 = 39W 8 = 39W Dimming	<b>Voltage</b> 1 = 120V	<b>Color</b> AL = Aluminum WH = White	<b>Mounting</b> F = Floor Stand P = Panel Bolt-on E = Expandable Bracket B = Binder Bin
<b>Example = SB2371ALF</b>						

## Features

**Housing:** Extruded aluminum. Die-cast end plate mechanically attached with no exposed fasteners.

**Shielding:** Die-formed perforated 18 gauge cold rolled steel (CRS) with a perforated pattern.

**Diffuser:** Translucent acrylic diffuser.

**Finish:** Powder coat baked enamel. Standard colors: white or aluminum.

**Lamp:** 2x39 watt T5HO lamps (included).

**Ballast:** Electronic and meets ANSI starting, end of life protection, THD and sound rating specifications.

**Switching:** On/off switch on stem. Optional cord switch available.

**Wiring:** 3-wire cord with grounded low profile plug. Minimum length 9 feet.

**Listing:** UL/cUL listed.

## Job Information

## Type:

**Job Name:**

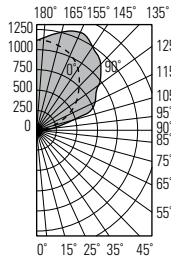
**Cat. No.:**

**Lamp(s):**

**Notes:**

### Candlepower Curve

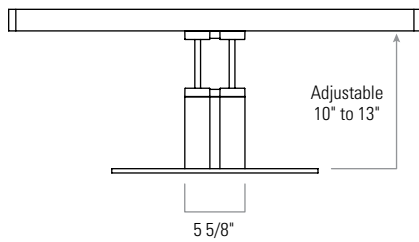
**Report No:**  
LRL299-IB.MOD  
**Catalog No:**  
SB2371xxx  
**Lamps:**  
2-F39T5/HO  
**Lumens:**  
3500 each  
**Efficiency:**  
82.0%



### Coefficients of Utilization

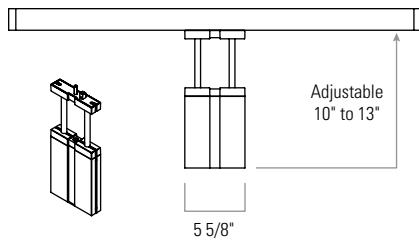
	% Effective Ceiling Cavity Reflectance					
	80		70		50	
	% Wall Reflectance					
	50	30	10	50	30	10
0	57	57	57	50	50	50
1	49	47	45	43	41	39
2	43	39	36	37	34	32
3	37	33	30	32	29	26
4	33	29	25	29	25	22
5	29	25	21	25	21	19
6	26	21	18	22	19	16
7	23	19	16	20	16	14
8	21	17	14	18	14	12
9	19	15	12	16	13	10
10	17	13	11	15	12	9

% Downlight: 6.6%    % Uplight: 93.4%



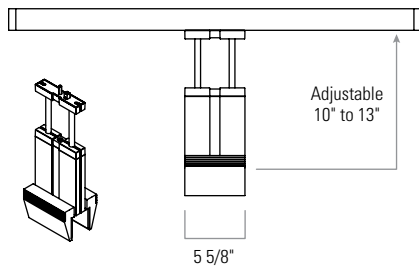
#### Binder Bin Mount Weighted Base

Weighted base allows fixture to sit atop shelves or overhead cabinets.  
Not recommended for use in seismic areas.



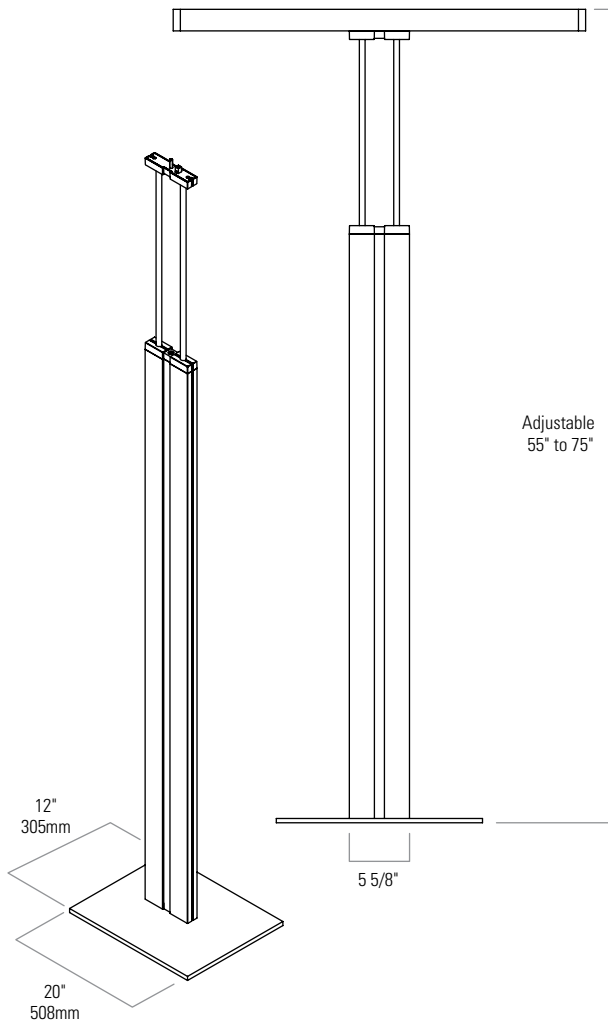
#### Panel Mount (Bolt-On)

Bolts to the top of furniture systems or short walls. A small steel bracket is bolted through the top cap. The stem assembly slides onto this bracket and is held in place with hidden set screws.



#### Expandable Bracket

This adjustable bracket clamps onto furniture systems ranging from 2" to 4" thick.



#### Floor Stand

### Job Information Type:

Lightolier a Genlyte company www.lightolier.com  
631 Airport Road, Fall River, MA 02720 • (508) 679-8131 • Fax (508) 674-4710  
We reserve the right to change details of design, materials and finish.  
© 2007 Genlyte Group LLC • A0107