



Shown: Lamp Head: (1) RT66W  
Mounting Plate: (1) MB1\*



Shown: Lamp Head: (2) RT66W  
Mounting Plate: (1) MB2\*

### Thermoplastic Wedge Base Round Head

- Constructed of impact resistant, UL 94 V-0, 5 VA thermoplastic
- White or black with matching mounting plates
- Available with sealed beam Par 36 or wedge base, tungsten or halogen lamps
- Lamps easily replaced by removing the snap-in retainer ring



Shown: Lamp Head: (1) S66W  
Mounting Plate: (1) MW1\*



Shown: Lamp Head: (2) S66W  
Mounting Plate: (1) MB2\*

### Polycarbonate Wedge Base Rectangular Head

- Constructed of polycarbonate
- Available in white, black or tan with matching mounting plates
- Features 6 volt or 12 volt tungsten T-5 wedge base lamps
- Lamps easily replaced by removing snap ring



Shown: Lamp Head: (1) CT86  
Mounting Plate: (1) MP1S\*



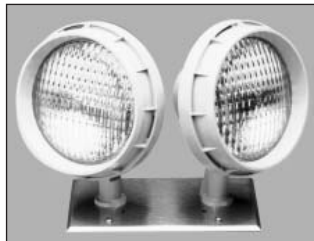
Shown: Lamp Head: (2) CT86  
Mounting Plate: (1) MP2\*

### Thermoplastic & Metal Chrome Sealed Beam Par 36

- Constructed of impact resistant, UL 94 V-0, 5 VA thermoplastic or chrome-plated steel
- Available with 6 volt or 12 volt sealed beam tungsten or halogen lamps
- Lamps easily replaced by removing snap ring



Shown: Lamp Head: (1) HT86  
Mounting Plate: (1) MP1\*



Shown: Lamp Head: (2) HT86  
Mounting Plate: (1) MP3\*

### Industrial Polycarbonate Sealed Beam Par 36

- Available for NEMA or Class 1, Division 2 applications
- Constructed of gray polycarbonate
- Available with 6 volt or 12 volt Par 36 sealed beam tungsten or halogen lamps
- Optional shatterproof lens for food service applications
- Lamp heads are fully gasketed
- Lamps easily replaced by removing ring bezel

\* See MP1 spec sheet for mounting plates

#### Job Information

#### Type:

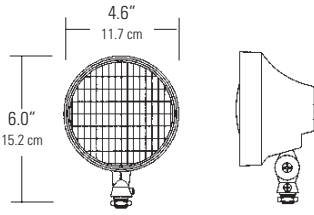
**Job Name:**

**Cat. No.:**

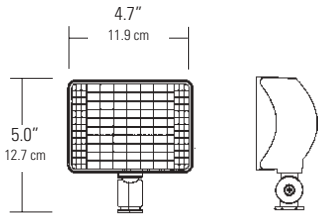
**Lamp(s):**

**Notes:**

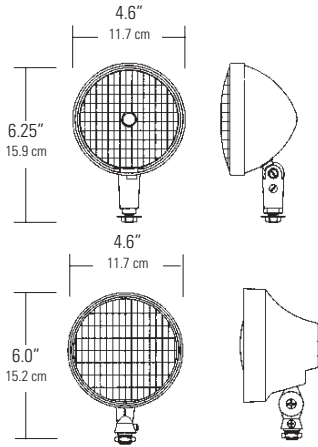
## Thermoplastic Wedge Base Round Head



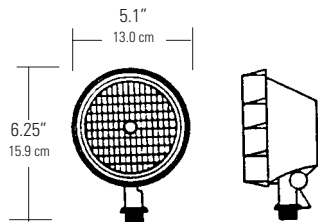
## Polycarbonate Wedge Base Rectangular Head



## Thermoplastic & Metal Chrome Sealed Beam Par 36



## Industrial Polycarbonate Sealed Beam Par 36



\* TO ORDER SHATTER-RESISTANT LAMP HEADS, ADD THE SUFFIX "S" TO THE SELECTED HEAD TYPE

### Specifications/Ordering Information

	VOLTAGE	WATTAGE	CATALOG NUMBER		REPLACEMENT LAMP NO.	
			THERMOPLASTIC		LIGHTOLIER NO.	ANSI NO.
TUNGSTEN	6-VOLT	5.4	<b>RT66W</b>	<b>RT66B</b>	19-2-54	939
		7.2	<b>RT76W</b>	<b>RT76B</b>	19-2-58	927
		9.0	<b>RT96W</b>	<b>RT96B</b>	19-2-45	908
	12-VOLT	9.0	<b>RT912W</b>	<b>RT912B</b>	19-2-53	915
		12.5	<b>RT1212W</b>	<b>RT1212B</b>	19-2-62	922
HALOGEN	6-VOLT	7.0	<b>RH76W</b>	<b>RH76B</b>	19-2-83	ERM
		10.0	<b>RH106W</b>	<b>RH106B</b>	19-2-82	ERN
		12.0	<b>RH126W</b>	<b>RH126B</b>	19-2-84	ERK
	12-VOLT	12.0	<b>RH1212W</b>	<b>RH1212B</b>	19-2-85	ERB

	VOLTAGE	WATTAGE	CATALOG NUMBER		REPLACEMENT LAMP NO.	
			POLYCARBONATE		LIGHTOLIER NO.	ANSI NO.
TUNGSTEN	6-VOLT	5.4	<b>S66W</b>	<b>S66B</b>	19-2-54	939
		7.2	<b>S76W</b>	<b>S76B</b>	19-2-58	927
		9.0	<b>S96W</b>	<b>S96B</b>	19-2-45	908
	12-VOLT	9.0	<b>S912W</b>	<b>S912B</b>	19-2-53	915
		12.5	<b>S1212W</b>	<b>S1212B</b>	19-2-62	922
	18.0	<b>S1812W</b>	<b>S1812B</b>	19-2-61	921	

	VOLTAGE	LAMP WATTS	CATALOG NUMBER			REPLACEMENT LAMP NO.	
			METAL CHROME	THERMOPLASTIC		LIGHTOLIER NO.	ANSI NO.
TUNGSTEN	6-VOLT	8.0	<b>CT86</b>	<b>PT86W</b>	<b>PT86B</b>	19-1-7613	7613
		18.0	<b>CT186</b>	<b>PT186W</b>	<b>PT186B</b>	19-1-4014	4014
		25.0	<b>CT256</b>	<b>PT256W</b>	<b>PT256B</b>	19-1-4510	4510
		30.0	<b>CT306</b>	<b>PT306W</b>	<b>PT306B</b>	19-1-4515	4515
	12-VOLT	12.0	<b>CT1212</b>	<b>PT1212W</b>	<b>PT1212B</b>	19-1-4044	4044
		18.0	<b>CT1812</b>	<b>PT1812W</b>	<b>PT1812B</b>	19-1-4414	4414
		25.0	<b>CT2512</b>	<b>PT2512W</b>	<b>PT2512B</b>	19-1-4446	4446
HALOGEN	6-VOLT	8.0	<b>CH86</b>	<b>PH86W</b>	<b>PH86B</b>	19-1-7551	7551
		12.0	<b>CH126</b>	<b>PH126W</b>	<b>PH126B</b>	19-1-7553	7553
	12-VOLT	8.0	<b>CH812</b>	<b>PH812W</b>	<b>PH812B</b>	19-1-7555	7555
		12.0	<b>CH1212</b>	<b>PH1212W</b>	<b>PH1212B</b>	19-1-7557	7557

	VOLTAGE	LAMP WATTS	CATALOG NUMBER*		REPLACEMENT LAMP NO.	
			CLASS 1 DIV 2 GRAY	NEMA RATED GRAY	LIGHTOLIER NO.	ANSI NO.
TUNGSTEN	6-VOLT	8.0	<b>HT86</b>	<b>IT86</b>	19-1-7613	7613
		18.0	<b>HT186</b>	<b>IT186</b>	19-1-4014	4014
		25.0	<b>HT256</b>	<b>IT256</b>	19-1-4510	4510
		30.0	<b>HT306</b>	<b>IT306</b>	19-1-4515	4515
	12-VOLT	12.0	<b>HT1212</b>	<b>IT1212</b>	19-1-4044	4044
		18.0	<b>HT1812</b>	<b>IT1812</b>	19-1-4414	4414
		25.0	<b>HT2512</b>	<b>IT2512</b>	19-1-4446	4446
HALOGEN	6-VOLT	6.0	<b>HH66</b>	<b>IH66</b>	19-1-7556	7556
		8.0	<b>HH86</b>	<b>IH86</b>	19-1-7551	7551
		12.0	<b>HH126</b>	<b>IH126</b>	19-1-7553	7553
	12-VOLT	8.0	<b>HH812</b>	<b>IH812</b>	19-1-7555	7555
		12.0	<b>HH1212</b>	<b>IH1212</b>	19-1-7557	7557

### Job Information

### Type:

Lightolier a Genlyte Thomas Company  
 631 Airport Road, Fall River, MA 02720 • (508) 679-8131 • Fax (508) 674-4710  
 We reserve the right to change details of design, materials and finish.  
 © 2002 Genlyte Thomas Group LLC (Lightolier Division) • B0902

# LIGHTOLIER®