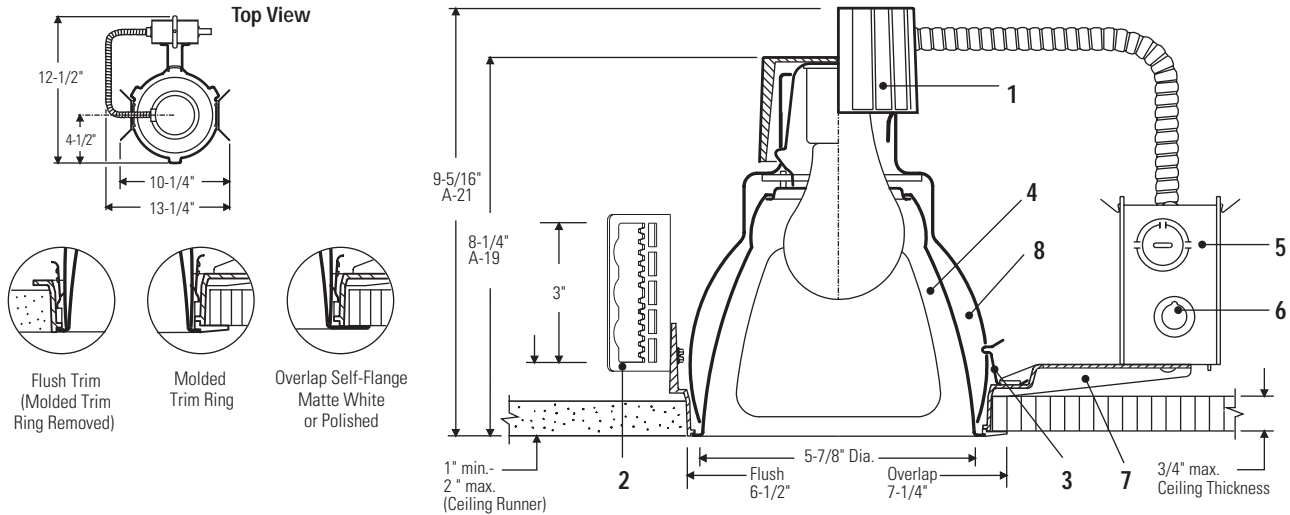




# Calculite® Incandescent Open Wall Washer R7029



Ceiling Cutout: 6 9/16" Dia.

| Reflector Trims    |                |                   |                      |                              | Frame-In Kits     | Lamp            |
|--------------------|----------------|-------------------|----------------------|------------------------------|-------------------|-----------------|
|                    | Finish         | White Self-Flange | Polished Self-Flange | Flush/White Molded Trim Ring |                   |                 |
| Wall Washer        | Specular Clear | <b>R7029CLW</b>   | <b>R7029CLP</b>      | <b>R7029CL</b>               | <b>R601</b> Clear | <b>A19</b> 100W |
|                    | Specular Gold  | <b>S7029GDW</b>   | <b>S7029GDP</b>      | <b>S7029GD</b>               | <b>S602</b> Gold  | <b>A21</b> 150W |
| Corner Wall Washer | Specular Clear | <b>R7030CLW</b>   | <b>R7030CLP</b>      | <b>R7030CL</b>               | <b>R601</b> Clear | <b>A19</b> 100W |
|                    | Specular Gold  | <b>S7030GDW</b>   | <b>S7030GDP</b>      | <b>S7030GD</b>               | <b>S602</b> Gold  | <b>A21</b> 150W |
| Double Wall Washer | Specular Clear | <b>R7031CLW</b>   | <b>R7031CLP</b>      | <b>R7031CL</b>               | <b>R601</b> Clear | <b>A19</b> 100W |
|                    | Specular Gold  | <b>S7031GDW</b>   | <b>S7031GDP</b>      | <b>S7031GD</b>               | <b>S602</b> Gold  | <b>A21</b> 150W |

## Features

- Socket Cup:** Die-cast aluminum cup effectively dissipates heat and assures lamps maintain proper optical alignment to reflector. Snaps onto reflector neck for easy tool-less installation. Can be adjusted without tools from inside or outside of fixture to accommodate two different lamp sizes. Contains medium base porcelain socket with nickel plated screw shell wired with No. 18 SF1 leads to J-Box.
- Mounting Brackets:** Adjust vertically from inside of fixture. Durable 16 ga. steel construction. Use with standard 3/4" or 1 1/2" lathing channels, or 1/2" (11/16" O.D.) EMT pipe (by others) or Lightolier accessory mounting bars.
- Retaining Springs:** Precision-tooled springs secure reflector housing to mounting frame for quick tool-less installation.
- Insert Reflector:** Alzak® aluminum, 16 ga., "cut-window" reflector allows light to pass to a separately contoured outer housing reflector. 50° visual cut-off to lamp and lamp image. Insert reflector contours provide even down-lighting. Direction of wall wash can be re-oriented after installation. Attaches with screws for simple installation and maintenance. Reflector supplied with white molded trim ring (field paintable); or self-flanged reflector, matte white flange or flange finish to match reflector.
- Junction Box:** 14 ga. steel, 4" x 3 1/2" x 2" box allows inspection from below.
- Thermal Protector:** Meets NEC and UL requirements. Insulation must be kept 3" away from fixture sides and wiring compartments and must not be placed above fixture in a manner which will entrap heat.
- Mounting Frame:** Die-cast aluminum suitable for dry or plaster ceilings. Provides flangeless trim in plaster ceiling.
- Wall Wash Reflector/Housing:** Specular clear or gold 16 ga. Alzak® aluminum to match insert reflector. Attaches to mounting frame with springs. Detachable for inspection from below fixture. Reflector provides even wall wash. Must be installed before ceiling is finished.

## Options & Accessories

- 18" Mounting Bars** 1950 (Set of 2)
- 27" Mounting Bars** 1951 (Set of 2)
- T-Bar Anchor clips** 1956 (Set of 4, for 1950 & 1951 bars)
- Wood Joist Mounting Bars** 7994 (Set of 2)
- Existing Ceiling clips** 7998 (Set of 2)
- Step Down Transformer** 7997 (See separate specification sheet)
- Chicago Air Plenum** LC (add suffix to Frame-in Kit)

## Electrical

UL Listed for a maximum of 8 No. 12 75°C through branch circuit conductors, or 60°C supply conductors for end of run.

## Labels

UL Listed for damp locations, I.B.E.W.

Alzak® is a registered trademark of ALCOA.

| Job Information  | Type: |
|------------------|-------|
| <b>Job Name:</b> |       |
| <b>Cat. No.:</b> |       |
| <b>Lamp(s):</b>  |       |
| <b>Notes:</b>    |       |

## Other Reflector Finish Options

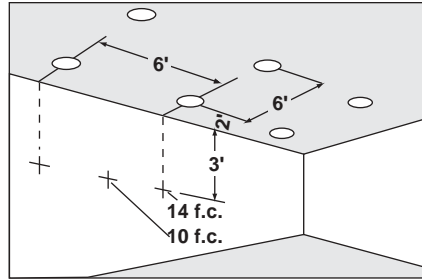
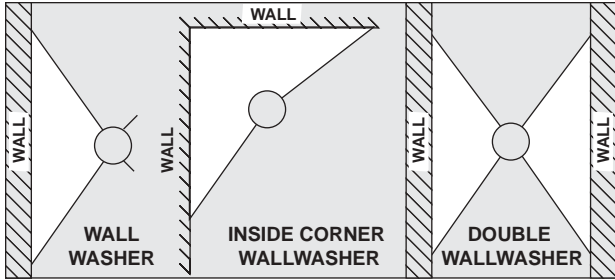
Consult Factory

Lightolier a Genlyte Thomas Company [www.lightolier.com](http://www.lightolier.com)  
 631 Airport Road, Fall River, MA 02720 • (508) 679-8131 • Fax (508) 674-4710  
 We reserve the right to change details of design, materials and finish.  
 © 2002 Genlyte Thomas Group LLC (Lightolier Division) • A0902

LIGHTOLIER®



# Calculite® Incandescent Open Wall Washer R7029



EXAMPLE: With multiple clear cone units, using 150W A21 lamps, located 3' from wall and 6' on center, (matching downlights 7054 downlights 6' on center), the illumination on the wall 3' down from the ceiling is 14 f.c. beneath fixtures and 10 f.c. between fixtures.

## Footcandles on wall from multiple units — clear cone, 150W A21

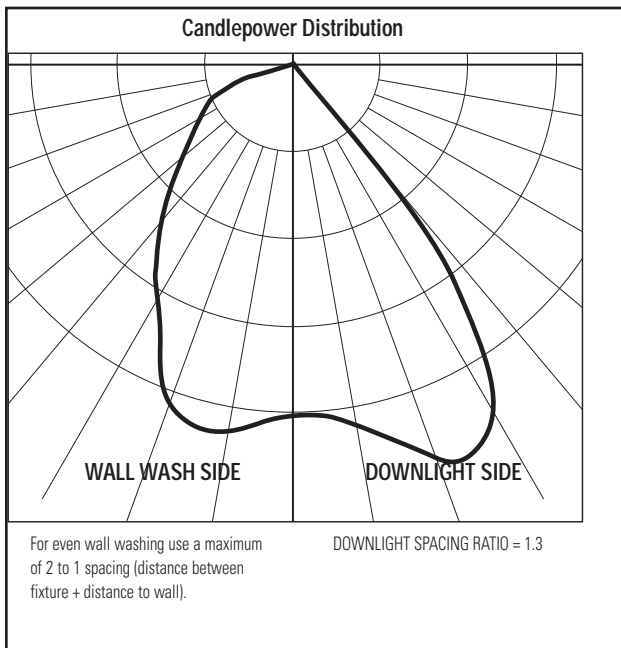
| DISTANCE FROM CEILING (FT.) | UNITS 2 FEET FROM WALL |    |    | UNITS 3 FEET FROM WALL |    |    | UNITS 4 FEET FROM WALL |    |    | UNITS 5 FEET FROM WALL |   |   | UNITS 6 FEET FROM WALL |   |   |
|-----------------------------|------------------------|----|----|------------------------|----|----|------------------------|----|----|------------------------|---|---|------------------------|---|---|
|                             | 1                      | 2  | 3  | 1                      | 2  | 3  | 1                      | 2  | 3  | 1                      | 2 | 3 | 1                      | 2 | 3 |
| 1                           | 34                     | 32 | 34 | 26                     | 22 | 26 | 26                     | 12 | 26 |                        |   |   |                        |   |   |
| 2                           | 48                     | 48 | 48 | 36                     | 30 | 36 | 34                     | 18 | 34 |                        |   |   |                        |   |   |
| 3                           | 48                     | 52 | 48 | 34                     | 38 | 34 | 30                     | 22 | 30 |                        |   |   |                        |   |   |
| 4                           | 39                     | 44 | 39 | 29                     | 32 | 29 | 21                     | 22 | 21 |                        |   |   |                        |   |   |
| 5                           | 36                     | 38 | 36 | 28                     | 24 | 28 | 20                     | 22 | 20 |                        |   |   |                        |   |   |
| 6                           | 29                     | 32 | 29 | 23                     | 22 | 23 | 17                     | 18 | 17 |                        |   |   |                        |   |   |
| 7                           | 24                     | 26 | 24 | 20                     | 20 | 20 | 17                     | 14 | 17 |                        |   |   |                        |   |   |
| 8                           | 23                     | 24 | 23 | 17                     | 20 | 17 | 17                     | 14 | 17 |                        |   |   |                        |   |   |
| 9                           | 20                     | 22 | 20 | 16                     | 18 | 16 | 16                     | 12 | 16 |                        |   |   |                        |   |   |

| DISTANCE FROM CEILING (FT.) | UNITS 3 FEET FROM WALL |    |    | UNITS 4 FEET FROM WALL |    |    | UNITS 5 FEET FROM WALL |    |    | UNITS 6 FEET FROM WALL |    |    |
|-----------------------------|------------------------|----|----|------------------------|----|----|------------------------|----|----|------------------------|----|----|
|                             | 1                      | 2  | 3  | 1                      | 2  | 3  | 1                      | 2  | 3  | 1                      | 2  | 3  |
| 1                           | 12                     | 14 | 12 | 12                     | 10 | 12 | 8                      | 7  | 8  | 8                      | 6  | 8  |
| 2                           | 19                     | 22 | 19 | 17                     | 14 | 17 | 13                     | 10 | 13 | 13                     | 8  | 13 |
| 3                           | 22                     | 24 | 22 | 18                     | 16 | 18 | 14                     | 12 | 14 | 14                     | 10 | 14 |
| 4                           | 22                     | 26 | 22 | 20                     | 16 | 20 | 16                     | 14 | 16 | 14                     | 10 | 14 |
| 5                           | 26                     | 26 | 26 | 20                     | 20 | 20 | 14                     | 14 | 14 | 14                     | 14 | 12 |
| 6                           | 24                     | 22 | 24 | 18                     | 18 | 18 | 14                     | 12 | 14 | 12                     | 14 | 10 |
| 7                           | 20                     | 22 | 20 | 16                     | 16 | 16 | 12                     | 12 | 12 | 10                     | 12 | 9  |
| 8                           | 19                     | 20 | 19 | 15                     | 14 | 15 | 11                     | 10 | 11 | 9                      | 10 | 9  |
| 9                           | 19                     | 20 | 19 | 15                     | 14 | 15 | 11                     | 10 | 11 | 9                      | 10 | 9  |

Footcandle values are averaged and rounded off and are based on a minimum of five units.  
 Conversion factors: 150W A21 units with gold cone, FC x 0.90. 100W units: clear cone, FC x 0.60; gold cone, FC x 0.55.

## Clear cone, 100W A19



### Coefficients of Utilization

% effective ceiling cavity reflectance

| ROOM CAVITY RATIO | % CEILING REFLECTANCE |     |     |     |     |     |     |     |     |
|-------------------|-----------------------|-----|-----|-----|-----|-----|-----|-----|-----|
|                   | 80                    |     |     | 50  |     |     | 30  |     |     |
|                   | 50                    | 30  | 10  | 50  | 30  | 10  | 50  | 30  | 10  |
| 1                 | .76                   | .75 | .73 | .73 | .72 | .71 | .70 | .69 | .69 |
| 2                 | .72                   | .69 | .68 | .69 | .68 | .67 | .67 | .67 | .66 |
| 3                 | .67                   | .65 | .63 | .66 | .64 | .62 | .65 | .63 | .61 |
| 4                 | .65                   | .61 | .58 | .63 | .60 | .58 | .61 | .59 | .57 |
| 5                 | .60                   | .56 | .54 | .59 | .56 | .54 | .58 | .55 | .53 |
| 6                 | .56                   | .53 | .50 | .55 | .52 | .50 | .54 | .52 | .50 |
| 7                 | .52                   | .49 | .47 | .52 | .48 | .47 | .51 | .48 | .47 |
| 8                 | .50                   | .47 | .44 | .49 | .46 | .44 | .48 | .46 | .44 |
| 9                 | .47                   | .43 | .40 | .46 | .43 | .40 | .46 | .42 | .40 |
| 10                | .44                   | .40 | .37 | .43 | .40 | .37 | .43 | .39 | .37 |

Conversion Factors: 20% FLOOR CAVITY REFLECTANCE  
 100W A-19; (Clear) C.U. X 1.0. 100W and 150W A21 (Gold) C.U. X 0.9.

### Job Information Type:

Lightolier a Genlyte Thomas Company [www.lightolier.com](http://www.lightolier.com)  
 631 Airport Road, Fall River, MA 02720 • (508) 679-8131 • Fax (508) 674-4710  
 We reserve the right to change details of design, materials and finish.  
 © 2002 Genlyte Thomas Group LLC (Lightolier Division) • A0902

LIGHTOLIER®