

QVSI GPFAD

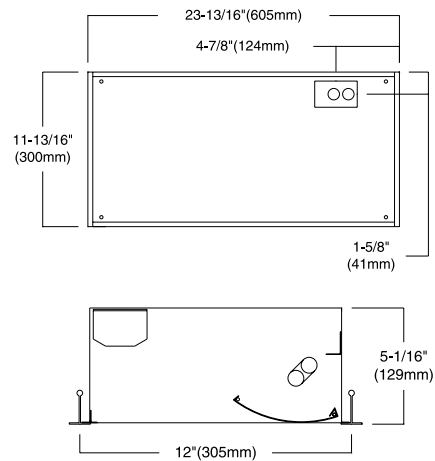
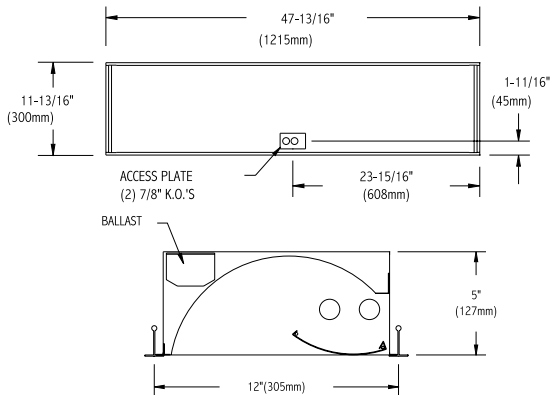
ALTER WAL-LYTER

1' X 4' OR 1' X 2' RECESSED FLUORESCENT
1 LAMP T5 OR 2 LAMP T8, 5" DEEP
MICROPERFORATED MESH LAMP SHIELD,
STATIC

- Efficiency 56.0%. (T8)
- Swing down microperforated lamp shield for easy relamping and maintenance.
- Alter soft white film on inside of mesh conceals lamp image providing balance between reflected and direct light.
- Asymmetrical optical system provides a soft uniform wall wash.
- Available with T8 or TT5.
- Fully recessed luminaire and lamp compartment.
- 95% Reflective Alter soft white paint finish.
- One piece body for easy installation.
- Easy access to ballast through lamp compartment.
- Fits standard T-Grid ceilings.

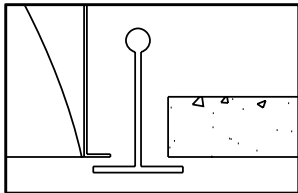


DIMENSIONS

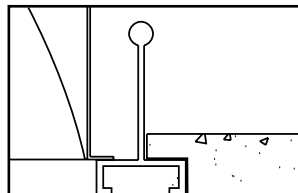


MOUNTING METHODS/FEATURES

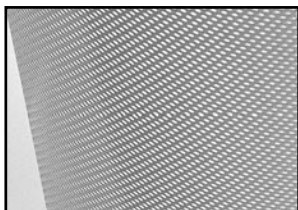
Ceiling compatibility



Suited to standard exposed T-grid ceilings



Suited to standard exposed Slot T-grid ceilings



Microperforated mesh lamp shields

FIXTURE TYPE _____ VOLTS _____

JOB INFORMATION: _____

