

QVE2GPFOS2FT

2 x 40W

ALTER ELEGANCE

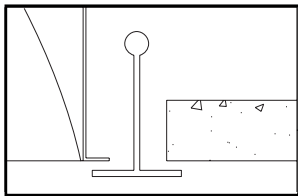
2' X 2' RECESSED DIRECT/INDIRECT FLUORESCENT
2 LAMP, TT5 BI-TUBE, 3 1/2" DEEP
MICROPERFORATED MESH LAMP SHIELD,
STATIC

- Efficiency 44%.
- Only 3 1/2" deep.
- Swing down microperforated lamp shield for easy relamping and maintenance.
- Alter soft white film on inside of mesh conceals lamp image providing balance between reflected and direct light.
- Fully recessed luminaire and lamp compartment.
- 95% Reflective Alter soft white paint finish.
- Specular interior reflector.
- One piece body for easy installation.
- Easy access to ballast through lamp compartment.
- Fits standard T-Grid ceilings.

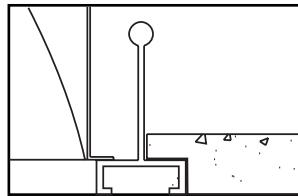


MOUNTING METHODS/FEATURES

Ceiling compatibility

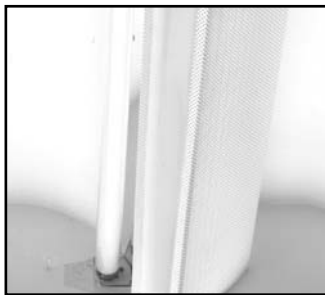


Suited to standard exposed T-grid ceilings

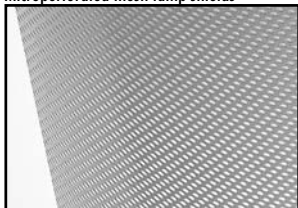


Suited to standard exposed Slot T-grid ceilings

Swing down optical system for easy relamping and maintenance



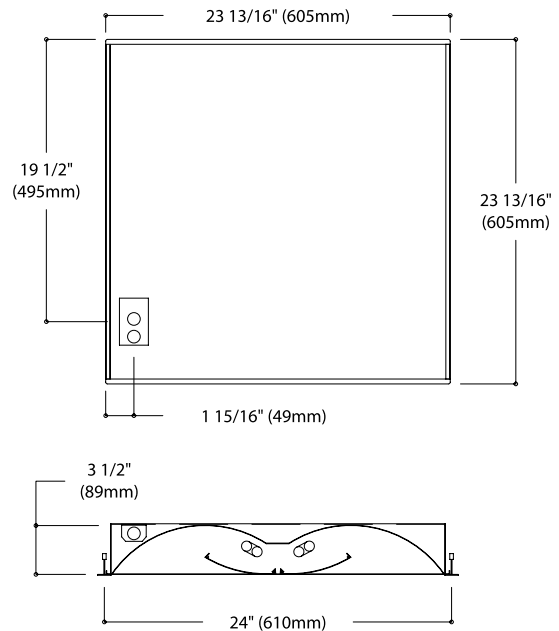
Microperforated mesh lamp shields



Also available with solid opaque swing-down lamp shield



DIMENSIONS



FIXTURE TYPE

VOLTS

JOB INFORMATION:	

LIGHTOLIER®
Genlyte Thomas Company

QVE2GPFOS2FT

ALTER ELEGANCE 2' X 2' RECESSED DIRECT/INDIRECT FLUORESCENT

Photometry

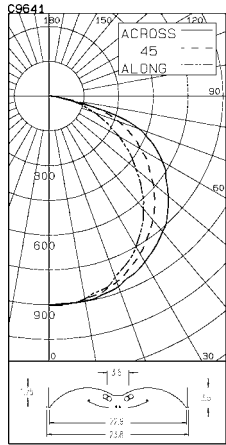
Model No. : QVE2GPFOS2FT120SB

CERTIFIED TEST REPORT NO. LSC9641
COMPUTED BY LSC PROGRAM **TEST-LITE**

LIGHTING SCIENCES CANADA LTD.
440 PHILLIP ST., UNIT 19
WATERLOO, ONTARIO

LIGHTOLIER-CFI 2x2 SHALLOW RECESSED LUMINAIRE CAT. NO. QVE2GPFOS2FT120SB
WITH WHITE PAINTED REFLECTOR AND MICRO-PERFORATED LAMP SHIELD
TWO 40W BIAx COMPACT FLUORESCENT LAMPS. LUMEN RATING = 3150 LMS.
ONE SYLVANIA 120V 2-LAMP ELECTRONIC BALLAST NO. QTP2x40TT5/120 PSN-F

CERTIFIED TEST REPORT NO. LSC9641
COMPUTED BY LSC PROGRAM **TEST-LITE**



CANDLEPOWER SUMMARY		OUTPUT LUMENS	
ANGLE	ALONG	45	67.5 ACROSS
0	902	902	902
5	901	904	899
10	888	886	888
15	867	874	879
20	832	841	854
25	795	799	819
30	750	764	785
35	696	708	741
40	634	656	698
45	563	586	645
50	489	524	586
55	422	455	524
60	349	386	455
65	279	316	390
70	208	248	318
75	149	170	224
80	83	100	96
85	29	27	21
90	0	0	0

LIGHTOLIER-CFI 2x2 SHALLOW RECESSED LUMINAIRE CAT. NO. QVE2GPFOS2FT120SB
WITH WHITE PAINTED REFLECTOR AND MICRO-PERFORATED LAMP SHIELD
TWO 40W BIAx COMPACT FLUORESCENT LAMPS. LUMEN RATING = 3150 LMS.
ONE SYLVANIA 120V 2-LAMP ELECTRONIC BALLAST NO. QTP2x40TT5/120 PSN-F

COEFFICIENTS OF UTILIZATION

ZONAL CAVITY METHOD

EFFECTIVE FLOOR CAVITY REFLECTANCE = .20

CC WALL	60			70			50			30			10			0		
	70	50	30	10	70	50	30	10	50	30	10	50	30	10				
RCR	0	.52	.52	.52	.51	.51	.51	.51	.49	.49	.49	.47	.47	.47	.45	.45	.45	.44
1	.48	.46	.44	.43	.47	.45	.44	.42	.43	.42	.41	.42	.40	.39	.40	.39	.38	.37
2	.44	.41	.38	.35	.43	.40	.37	.35	.38	.36	.34	.37	.35	.33	.35	.34	.33	.32
3	.40	.36	.32	.29	.39	.35	.32	.29	.34	.31	.29	.32	.30	.28	.31	.29	.28	.27
4	.37	.32	.28	.25	.36	.31	.28	.25	.30	.27	.25	.29	.27	.24	.28	.26	.24	.23
5	.34	.28	.24	.22	.33	.28	.24	.21	.27	.24	.21	.26	.23	.21	.25	.23	.21	.20
6	.31	.25	.21	.19	.30	.25	.21	.18	.24	.21	.18	.23	.20	.18	.23	.20	.18	.17
7	.28	.23	.19	.16	.28	.22	.19	.16	.22	.18	.16	.21	.18	.16	.20	.18	.16	.15
8	.26	.20	.17	.14	.26	.20	.17	.14	.20	.16	.14	.19	.16	.14	.18	.16	.14	.13
9	.24	.19	.15	.12	.24	.18	.15	.12	.18	.15	.12	.17	.14	.12	.17	.14	.12	.11
10	.23	.17	.13	.11	.22	.17	.13	.11	.16	.13	.11	.16	.13	.11	.15	.13	.11	.10

ZONAL LUMENS AND PERCENTAGES

ZONE	LUMENS	% LAMP	% LUMINAIRE
0-30	712	11.31	25.73
0-40	1177	18.70	42.53
0-60	2139	33.96	77.25
0-90	2769	43.96	100.00
40-90	1591	25.26	57.47
60-90	630	10.00	22.75
90-180	0	.00	.00
0-180	2769	43.96	100.00

** EFFICIENCY = 44.0% **

LUMINANCE SUMMARY-CD. / SQ. M.

ANGLE	ALONG	45	ACROSS
45	2343	2694	3016
55	2166	2696	3170
65	1940	2728	3470
75	1696	2547	2867
85	967	718	880

S/MH = 1.4
SC(ALONG) = 1.2, SC(ACROSS) = 1.4

CERTIFIED BY: DATE: FEB 21, 2003

PREPARED FOR: LIGHTOLIER-CFI
CORNWALL, ONTARIO

TESTED ACCORDING TO IES PROCEDURES. TEST DISTANCE EXCEEDS FIVE TIMES THE GREATEST LUMINOUS OPENING OF LUMINAIRE.

DETERMINED IN ACCORDANCE WITH CURRENT IES PUBLISHED PROCEDURES
LUMINAIRE INPUT WATTS = 65.2
LABORATORY RESULT MAY NOT BE REPRESENTATIVE OF FIELD PERFORMANCE.
BALLAST FACTORS HAVE NOT BEEN APPLIED.

ORDERING INFORMATION Explanation of Catalogue Number Example: QVE2GPFOS2FT120SB

QVE	2	G	PF	OS	2	FT	120	SB	
ALTER ELEGANCE	FIXTURE WIDTH	CEILING TYPE	LAMP SHIELD	CLEAR POLISHED ACRYLIC DROP DOWN VISUAL ELEMENT	LAMP QUANTITY	LAMP/FIXTURE LENGTH (NOMINAL 24")	VOLTAGE	OPTIONS	
Recessed direct indirect soft light optical system	2'	Standard exposed T-grid ceilings	PF = Micro-perforated SD = Solid	OS = Open slot (no acrylic)		UNV (120/277V) 120, 277, 347 FT = TT5 Bi-tube		R = Radio Interface Filter O = Emergency Lighting System (for Canada) N = Emergency Lighting System (for U.S.)	

BALLAST TYPE

- SB: 40W TT5 Elect.
- BE: 50W TT5 Elect.
- BD: 55W TT5 Elect.
- PB: 40W TT5 PowerSpec HDF Dimming †
- DA: iGEN DALI †

† Not available in 347V.

SPECIFICATIONS

MATERIALS: One piece chassis constructed from die formed 20 gauge cold rolled steel. **Reflectors** - 95% reflectance baked white acrylic matte paint finish. Spectular aluminum interior reflector. Soft white acrylic film on inside of lamp shield conceals lamp image.

FINISH: Chassis exterior - phosphate undercoating, baked white acrylic matte paint finish.

ELECTRICAL: Rapid start HPF, thermally protected class "P" ballast (Bi-tube type). If K.Os are within 3" of ballast use wire suitable for at least 90C.

LABELS: Listed by CSA, UL

We reserve the right to change, materials and finish in any way that will not alter installed appearance or reduce function and performance.

LIGHTOLIER
Genlyte Thomas Company

631 Airport Road, Fall River, MA 02720 - Tel. (508) 679-8131
C.F.I. Division of Canlyte, Inc.
525 Education Road, Cornwall, Ontario
Canada K6H 6C7 - (613) 938-6221