

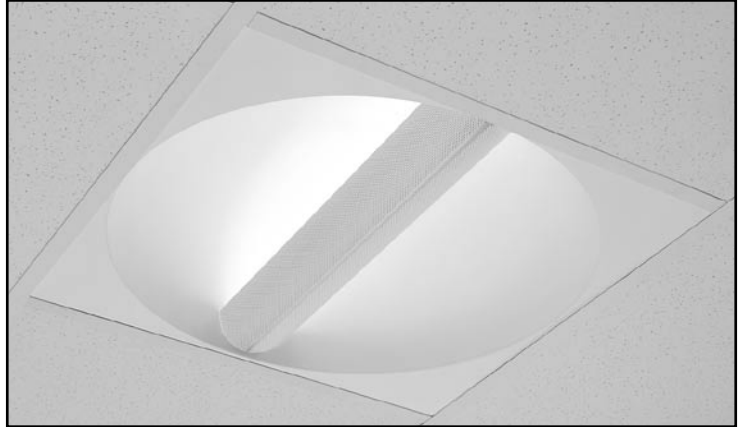
QVC2GPFOS1FT

1 x 50W

ALTER DOME

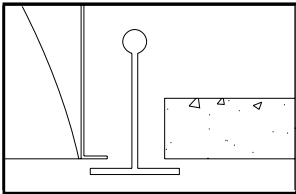
2' X 2' ROUND RECESSED DIRECT/INDIRECT FLUORESCENT
1 LAMP, TT5 BI-TUBE, 5 7/16 " DEEP
MICROPERFORATED MESH LAMP SHIELD
STATIC

- Efficiency 53.8%.
- Dual swing down microperforated lamp shields separated by luminous strip for easy relamping and maintenance.
- Alter soft white film on inside of mesh conceals lamp image providing balance between reflected and direct light.
- Seamless reflector without visible ballast cover or hardware.
- No access to the ballast from below in order to maintain cover appearance.
- Fully recessed luminaire.
- 95% Reflective Alter soft white paint finish.
- One piece body for easy installation.
- Fits standard T-Grid ceilings.



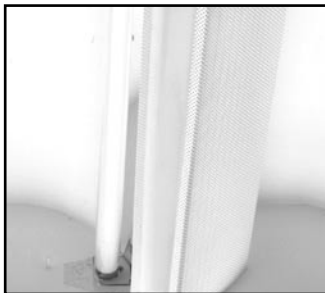
MOUNTING METHODS/FEATURES

Ceiling compatibility

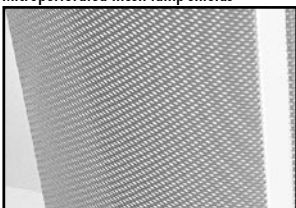


Suited to standard exposed T-grid ceilings

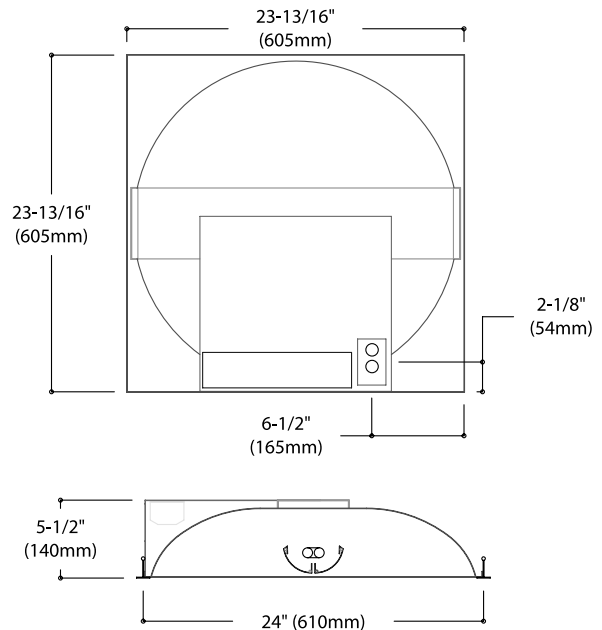
Swing down optical system for easy relamping and maintenance



Microperforated mesh lamp shields



DIMENSIONS



FIXTURE TYPE	VOLTS
JOB INFORMATION: _____	

LIGHTOLIER
Genlyte Thomas Company

QVC26PFOS1FT

ALTER DOME

2'X 2' ROUND RECESSED DIRECT/INDIRECT FLUORESCENT



LIGHTING SCIENCES CANADA LTD.

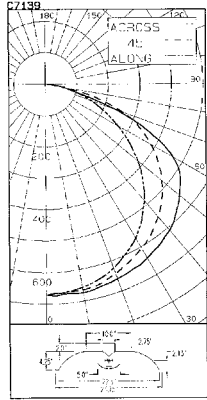
440 Phillip St. Unit 19, Waterloo, Ont., Canada N2L 5R9
Tel: (519) 746-3140 Fax: (519) 746-3158

LIGHTING SCIENCES CANADA LTD.
440 PHILLIP ST. UNIT 19
WATERLOO, ONTARIO CANADA N2L 5R9

CERTIFIED TEST REPORT NO. LSC7139
COMPUTED BY LSC PROGRAM **TEST-LITE**

CERTIFIED TEST REPORT NO. LSC7139
COMPUTED BY LSC PROGRAM **TEST-LITE**
CFI ALTER 2x2 ROUND RECESSED INDIRECT FIXTURE CAT. NO. QVR2GPFOS150120SB
WITH WHITE PAINTED INTERIOR AND PERFORATED LAMP SHIELDS WITH TRANSLUCENT LENSES
ONE 50W BIAX COMPACT FLUORESCENT LAMP. LUMEN RATING = 4000 LMS.
VALMONT 120V 1-LAMP ELECTRONIC BALLAST NO. E150SB120G01

CFI ALTER 2x2 ROUND RECESSED INDIRECT FIXTURE CAT. NO. QVR2GPFOS150120SB
WITH WHITE PAINTED INTERIOR AND PERFORATED LAMP SHIELDS WITH TRANSLUCENT LENSES
ONE 50W BIAX COMPACT FLUORESCENT LAMP. LUMEN RATING = 4000 LMS.
VALMONT 120V 1-LAMP ELECTRONIC BALLAST NO. E150SB120G01



CANDLEPOWER SUMMARY		OUTPUT LUMENS			
ANGLE	ALONG	45	67.5	ACROSS	
0	669	669	669	669	
5	665	665	665	669	65
10	656	661	664	668	673
15	643	649	658	661	686
20	623	631	642	653	659
25	597	610	624	644	650
30	567	581	604	628	640
35	529	546	582	613	626
40	485	507	553	594	609
45	434	465	509	565	583
50	382	417	480	532	553
55	324	364	435	491	521
60	267	311	387	444	467
65	209	257	331	366	367
70	156	200	263	263	240
75	103	140	166	134	103
80	52	71	70	57	55
85	14	18	18	17	24
90	0	0	0	0	0

COEFFICIENTS OF UTILIZATION
ZONAL CAVITY METHOD
EFFECTIVE FLOOR CAVITY REFLECTANCE = .20

CC WALL	80		70		50		30		10		0	
	70	50	30	10	70	50	30	10	50	30	10	50
RCR												
0	.64	.64	.64	.64	.63	.63	.63	.63	.60	.60	.60	.57
1	.59	.57	.54	.53	.58	.55	.53	.52	.53	.51	.50	.51
2	.54	.50	.46	.43	.53	.49	.46	.43	.47	.44	.42	.45
3	.49	.44	.40	.36	.48	.43	.39	.36	.41	.38	.35	.40
4	.45	.39	.34	.31	.44	.39	.34	.31	.37	.33	.30	.36
5	.41	.35	.30	.26	.40	.34	.29	.26	.33	.29	.26	.32
6	.38	.31	.26	.23	.37	.30	.26	.23	.29	.25	.22	.28
7	.35	.27	.23	.20	.34	.27	.23	.19	.26	.22	.19	.25
8	.32	.25	.20	.17	.31	.24	.20	.17	.24	.20	.17	.23
9	.30	.23	.18	.15	.29	.22	.18	.15	.21	.18	.15	.21
10	.28	.20	.16	.13	.27	.20	.16	.13	.20	.16	.13	.19

ZONAL LUMENS AND PERCENTAGES			
ZONE	LUMENS	% LAMP	% LUMINAIRE
0-30	537	13.43	24.95
0-40	899	22.49	41.76
0-50	1679	41.95	77.91
0-60	2153	53.85	100.00
40-50	1254	31.36	58.24
60-50	475	11.90	22.09
90-180	0	0.00	0.00
0-180	2153	53.85	100.00

** EFFICIENCY = 53.85 **

LUMINANCE SUMMARY - CD. / SQ. M.

ANGLE	ALONG	45	ACROSS
45	2395	2875	3224
55	2203	2549	3355
65	1925	3062	3333
75	1549	2502	1551
85	613	824	768

PAINT REFLECTANCE = .93 8/8M = 1.4
SC(ALONG) = 1.3, SC(ACROSS) = 1.4
CERTIFIED BY: *Charles Swann* DATE: NOV 7, 1997
PREPARED FOR: CANADIAN FLUORESCENT INDUSTRIES
CORNWALL, ONTARIO

DETERMINED IN ACCORDANCE WITH CURRENT IES PUBLISHED PROCEDURES
LUMINAIRE INPUT WATTS = 53.7
LABORATORY RESULT MAY NOT BE REPRESENTATIVE OF FIELD PERFORMANCE.
BALLAST FACTORS HAVE NOT BEEN APPLIED.

TESTED ACCORDING TO IES PROCEDURES. TEST DISTANCE EXCEEDS FIVE TIMES THE GREATEST LUMINOUS OPENING OF LUMINAIRE.

ORDERING INFORMATION Explanation of Catalogue Number Example: QVC2GPFOS1FT120BE

QVC	2	G	PF	OS	1	FT	120	BE	
ALTER DOME Recessed direct indirect soft light optical system	FIXTURE WIDTH 2'	CEILING TYPE Standard exposed T-grid ceilings	LAMP SHIELD PF = Microperforated	LAMP SHIELD DETAILS OS = Open slot (no acrylic)	LAMP QUANTITY	LAMP/FIXTURE LENGTH (NOMINAL 24") FT = TT5 Bi-Tube	VOLTAGE 120,277 347	BALLAST BE = 50W Electronic TT5 RS BR = 40W Electronic TT5 RS BX = 40W Magnetic TT5 RS PB = 40W TT5 PowerSpec Dimming* PC = 50/55W TT5 PowerSpec Dimming* SB = 40W Generic Electronic TT5	OPTIONS R = Radio Interference Filter

*Not available in 347V.

SPECIFICATIONS

MATERIALS: One piece chassis constructed from die formed 20 gauge cold rolled steel. **Reflectors** - 95% reflectance baked white acrylic matte paint finish. Soft white acrylic film on inside of lamp shield conceals lamp image.

FINISH: Chassis exterior - phosphate undercoating, baked white acrylic matte high reflectance paint finish.

ELECTRICAL: Rapid start HPF, thermally protected class "P" ballast (Bi-tube type). If K.O.s are within 3" of ballast use wire suitable for at least 90C.

LABELS: Listed by CSA, UL

We reserve the right to change, materials and finish in any way that will not alter installed appearance or reduce function and performance.

631 Airport Road, Fall River, MA 02720 - Tel. (508) 679-8131
C.F.I. Division of Canlyte, Inc.
525 Education Road, Cornwall, Ontario
Canada K6H 6C7 - (613) 938-6221

Genlyte Thomas Company