

Alter Air QVA5GPFOS232 or 28 or 54

Page 1 of 2

20" X 48" Recessed Direct/Indirect Fluorescent 2 Lamp, T8 or T5, 5 1/8" Deep
Microperforated Mesh Lamp Shield, Air Supply or Air Return

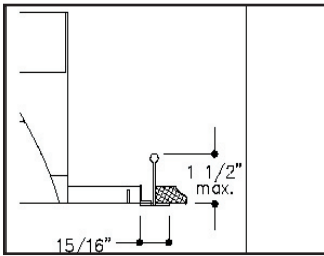
Features

- Efficiency 49.8%
- Full-length air slot with right angle stiffener for maximum rigidity and no slot interference.
- Swing down microperforated lamp shield for easy relamping and maintenance.
- Alter soft white film on inside of mesh conceals lamp image and provide balance between reflected light and direct light.
- Fully recessed luminaire and lamp compartment.
- 95% Reflective Alter soft white paint finish.
- Specular interior reflector.
- Easy access to ballast through lamp compartment.
- Fits standard T-Grid ceilings.
- Optional acrylic drop-down visual element.



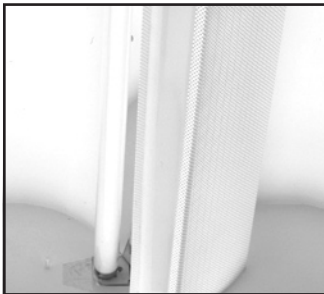
Mounting Methods/Features

Ceiling compatibility

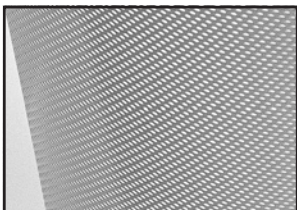


Suited to standard exposed T-grid ceilings

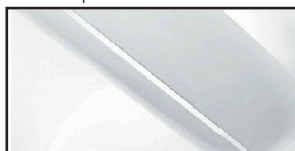
Swing down optical system for easy relamping and maintenance



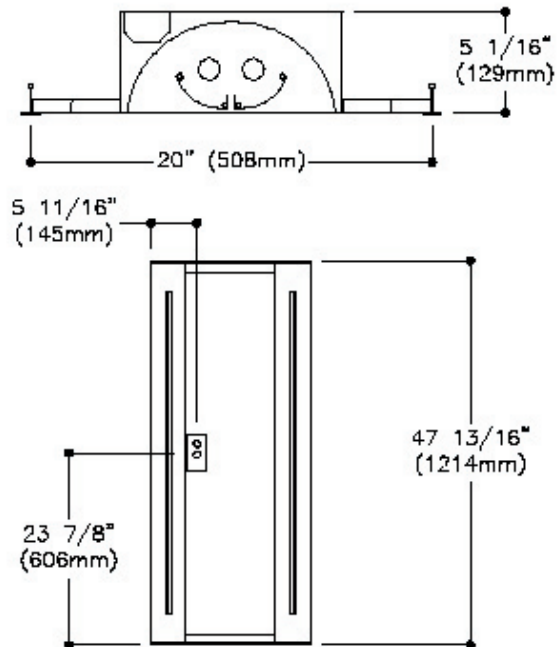
Microperforated mesh lamp shields



Also available with solid opaque swing-down lamp shield



Dimensions



Job Information

Type:

Job Name:

Cat. No.:

Lamp(s):

Volts/Ballast:

Lightolier a Genlyte Thomas Company

www.lightolier.com

Technical Information: (978) 657-7600 • Fax (978) 658-0595

631 Airport Road, Fall River, MA 02720 • (508) 679-8131 • Fax (508) 674-4710

We reserve the right to change details of design, materials and finish.

© 2003 Genlyte Thomas Group LLC (Lightolier Division)

B0403

Folio L20-31

LIGHTOLIER[®]

Alter Air QVA5GPFOS232 or 28 or 54

20" X 48" Recessed Direct/Indirect Fluorescent 2 Lamp, T8 or T5, 5 1/8" Deep
Microperforated Mesh Lamp Shield, Air Supply or Air Return

Photometry

Model No. QVA5GPFOS232120S0

LSC LIGHTING SCIENCES CANADA LTD.
440 PHILIP ST. UNIT 19, WATERLOO, ONT. CANADA N2L 5R9
Tel: (519) 746-3140 Fax: (519) 746-3156

CERTIFIED TEST REPORT NO. LSC7111
COMPUTED BY LSC PROGRAM **TEST-LITE**

CFI ALTER 1x4 RECESSED INDIRECT FIXTURE CAT. NO. QV5IGPFOS240120S0
WITH WHITE PAINTED INTERIOR AND PERFORATED LAMP SHIELDS WITH TRANSLUCENT LENSES
TWO F32W/T841 32W T8 FLUORESCENT LAMPS. LUMEN RATING = 3000 LMS.
ADVANCE 120V 1 OR 2-LAMP ELECTRONIC BALLAST NO. REL-2P32-RH-TF

CANDLEPOWER SUMMARY OUTPUT LUMENS

ANGLE ALONG	22.5	45	67.5	ACROSS
0	1145	1145	1145	1145
5	1138	1143	1140	1136
10	1125	1124	1130	1140
15	1099	1105	1115	1114
20	1066	1083	1079	1084
25	1030	1030	1047	1045
30	980	980	995	988
35	914	923	933	911
40	855	860	865	808
45	789	791	767	696
50	698	700	647	560
55	623	612	518	426
60	533	502	386	314
65	443	379	254	244
70	349	252	181	181
75	257	130	124	115
80	137	73	65	57
85	32	27	31	26
90	0	0	0	0

ZONE LUMENS AND PERCENTAGES

ZONE	LUMENS	% LAMP	% LUMINAIRE
0-30	992	15.04	30.21
0-40	1475	24.60	49.40
0-60	2503	41.73	83.82
0-90	2987	49.78	100.00
40-90	1511	25.19	50.60
60-90	483	8.06	16.18
90-180	0	0.00	0.00
0-180	2987	49.78	100.00

** EFFICIENCY = 49.8% **

LUMINANCE SUMMARY-CD. / SQ. M. S/MH = 1.3 SC = 1.3

ANGLE ALONG	45	ACROSS
45	3545	3460
55	3449	2881
65	3333	1919
75	3158	1527
85	1152	1144

CERTIFIED BY: *Charles Simon* DATE: OCT 10, 1997
PREPARED FOR: CANADIAN FLUORESCENT INDUSTRIES
CORNWALL, ONTARIO

TESTED ACCORDING TO IES PROCEDURES. TEST DISTANCE EXCEEDS FIVE TIMES THE GREATEST LUMINOUS OPENING OF LUMINAIRE.

LIGHTING SCIENCES CANADA LTD.
440 PHILIP ST. UNIT 19
WATERLOO, ONTARIO CANADA N2L 5R9
CERTIFIED TEST REPORT NO. LSC7111
COMPUTED BY LSC PROGRAM **TEST-LITE**

CFI ALTER 1x4 RECESSED INDIRECT FIXTURE CAT. NO. QV5IGPFOS240120S0
WITH WHITE PAINTED INTERIOR AND PERFORATED LAMP SHIELDS WITH TRANSLUCENT LENSES
TWO F32W/T841 32W T8 FLUORESCENT LAMPS. LUMEN RATING = 3000 LMS.
ADVANCE 120V 1 OR 2-LAMP ELECTRONIC BALLAST NO. REL-2P32-RH-TF

COEFFICIENTS OF UTILIZATION

ZONAL CAVITY METHOD

EFFECTIVE FLOOR CAVITY REFLECTANCE = .20

CC WALL	80		70		50		30		10		0	
RCR	70	50	30	10	70	50	30	10	50	30	10	0
0	.59	.59	.59	.59	.58	.58	.58	.58	.55	.55	.55	.53
1	.55	.53	.51	.49	.54	.52	.50	.49	.50	.48	.47	.48
2	.51	.47	.44	.41	.49	.46	.43	.41	.44	.42	.40	.43
3	.47	.42	.38	.35	.45	.41	.38	.35	.40	.37	.35	.38
4	.43	.37	.33	.30	.42	.37	.33	.30	.36	.32	.30	.34
5	.39	.33	.29	.26	.38	.33	.29	.26	.32	.28	.26	.31
6	.36	.30	.26	.23	.35	.29	.25	.23	.29	.25	.22	.28
7	.33	.27	.23	.20	.33	.27	.23	.20	.26	.22	.20	.25
8	.31	.24	.20	.17	.30	.24	.20	.17	.23	.19	.17	.22
9	.28	.22	.18	.15	.28	.21	.18	.15	.21	.17	.15	.20
10	.26	.20	.16	.13	.26	.19	.16	.13	.19	.15	.13	.18

DETERMINED IN ACCORDANCE WITH CURRENT IES PUBLISHED PROCEDURES
LUMINAIRE INPUT WATTS = 54.5
LABORATORY RESULT MAY NOT BE REPRESENTATIVE OF FIELD PERFORMANCE.
BALLAST FACTORS HAVE NOT BEEN APPLIED.

ORDERING INFORMATION Explanation of Catalogue Number Example: QVA5GPFOS232120S0

QVA	5	G			2				
QUALITY VISUAL AIR	FIXTURE WIDTH	CEILING TYPE	LAMP SHIELD	LAMP QUANTITY	LAMP/FIXTURE LENGTH	VOLTAGE	BALLAST TYPE	OPTIONS	
Recessed direct indirect soft light optical system	20"	Standard exposed T-grid ceilings	PF=Micro-perforated SD=Solid	CLEAR POLISHED ACRYLIC DROP DOWN VISUAL ELEMENT	(NOMINAL 48") 32= 32W T8 28= 28W T5 54= 54W T5	120,277 347	OC=Magnetic T8 SO=Electronic T8 Instant Start SR= Electronic T8 Rapid Start PG= Electronic T5 Program Start PI= Electronic T5 Instant Start PB= 40W TT5 PowerSpec Dimming* PS= T8 PowerSpec Dimming* PF= T5 Power Spec Dimming* *Not available in 347V. For other ballast options, consult ballast specification sheet (folio BA-1-02)	R = Radio Interference Filter O = Emergency Lighting System (for Canada) N = Emergency Lighting System (for U.S.)	

Specifications

Materials: One piece chassis constructed from die formed 20 gauge cold rolled steel. Reflectors - 95% reflectance baked white acrylic matte paint finish. Specular interior reflector. Soft white acrylic film on inside of lamp shield conceals lamp image.

Finish: Chassis exterior - phosphate undercoating, baked white acrylic matte high reflectance paint finish.

Electrical: Rapid start HPF, thermally protected class "P" ballast (Bi-tube type). If K.O.s are within 3" of ballast use wire suitable for at least 90C.

Labels: Listed by



Job Information Type:

Lightolier a Genlyte Thomas Company www.lightolier.com
Technical Information: (978) 657-7600 • Fax (978) 658-0595
631 Airport Road, Fall River, MA 02720 • (508) 679-8131 • Fax (508) 674-4710
We reserve the right to change details of design, materials and finish.
© 2003 Genlyte Thomas Group LLC (Lightolier Division)
B0403

Folio L20-31

LIGHTOLIER