

AIR HANDLING QVA2GPFOP232 OR 28 OR 54

2'X4' RECESSED DIRECT/INDIRECT FLUORESCENT, 2 LAMP, T8 OR T5,
5-1/8" DEEP, MICROPERFORATED MESH LAMP SHIELD, AIR SUPPLY OR AIR RETURN

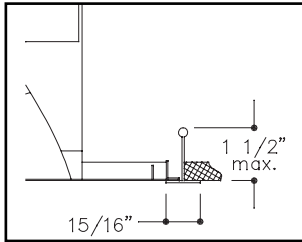
Features

- Efficiency 70.3%.
- Swing down microperforated lamp shield for easy relamping and maintenance.
- Alter soft white film on inside of mesh conceals lamp image and provide balance between reflected light and direct light.
- Fully recessed luminaire and lamp compartments.
- 95% Reflective Alter soft white paint finish.
- Specular interior reflector.
- Easy access to ballast through lamp compartment.
- Fits standard T-Grid ceilings.
- Heat sensitive brackets allow for release of lens/basket assembly in situations of fire.
- Meets UL Listing 1598 and CSA C22.2 No.250.0-00 in reference to Large Scale Fallout Testing.



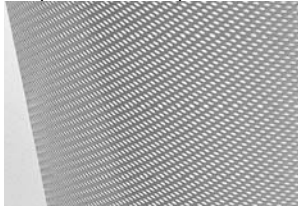
Mounting Methods / Features

Ceiling compability

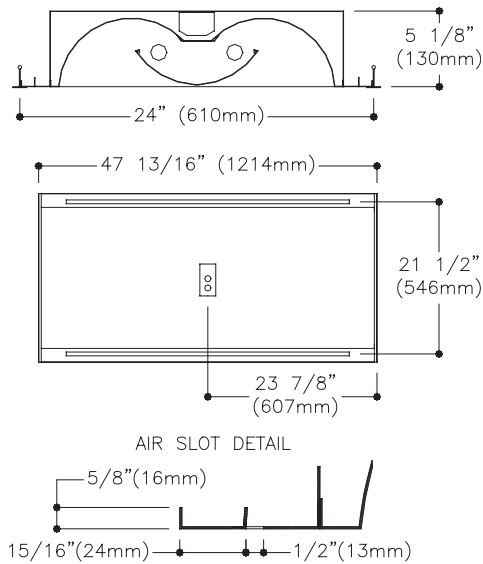


Suited to standard exposed T-grid ceilings

Microperforated mesh lamp shield



Dimensions



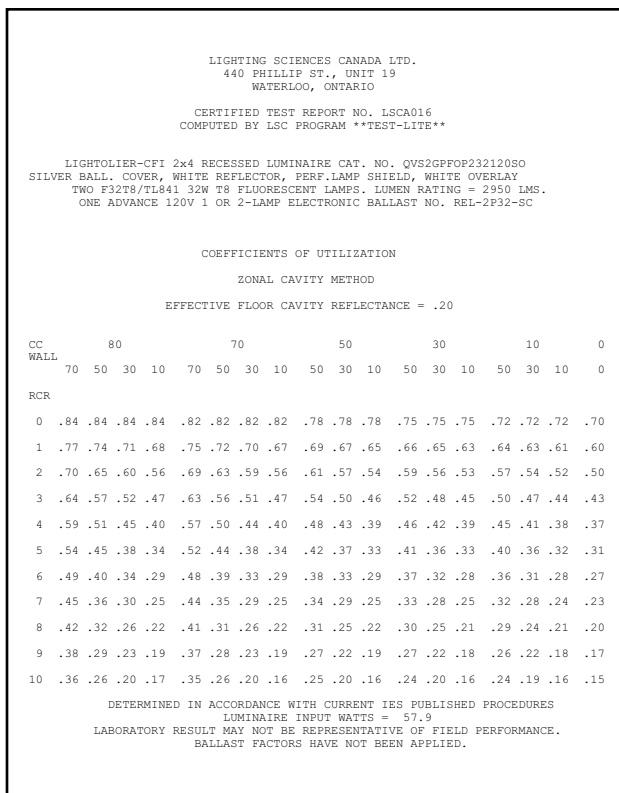
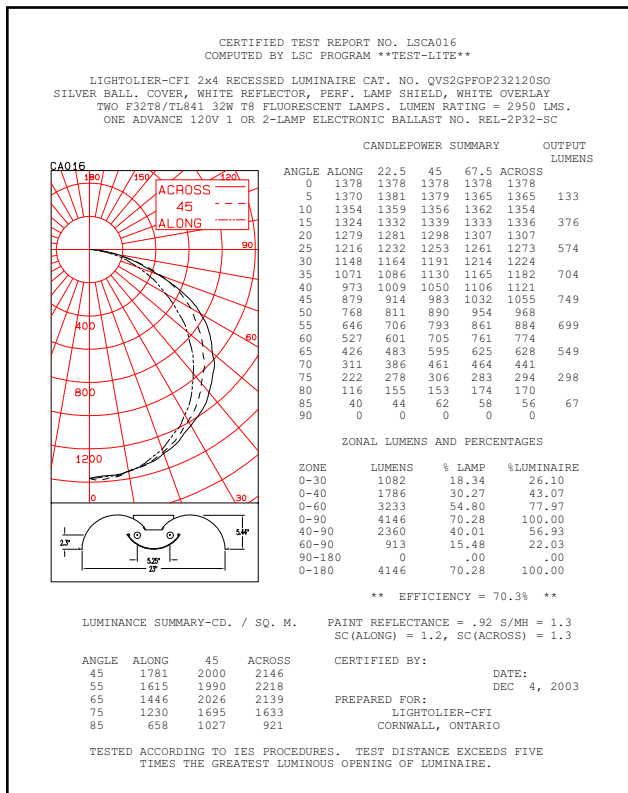
FIXTURE TYPE	VOLTS
JOB INFORMATION: _____	

AIR HANDLING QVA2GPFOP232 OR 28 OR 54

2'X4' RECESSED DIRECT/INDIRECT FLUORESCENT, 2 LAMP, T8 OR T5,
5-1/8" DEEP, MICROPERFORATED MESH LAMP SHIELD, AIR SUPPLY OR AIR RETURN

Photometry

Model No. : QVA2GPFOP232120SO



Ordering Information Explanation of Catalogue Number Example: QVA2GPFOP232120SO

QVA	2	G	PF	OP	2	32	120	SO	
QUALITY VISUAL AIR	FIXTURE WIDTH	CEILING TYPE	LAMP SHIELD	BASKET OPTION	LAMP QUANTITY	LAMP/FIXTURE LENGTH	VOLTAGE	BALLAST TYPE	OPTIONS
Recessed direct indirect soft light optical system	2'	Standard exposed T-grid ceilings	PF=Micro-perforated SD=Solid	OP=One Piece (no center slot)		(NOMINAL 48") 28=28W T5 32=32W T8 54=54W T5	120, 277, 347	OC=Magnetic T8 SO=Electronic T8 Instant Start SR=Electronic T8 Rapid Start PG=Electronic T5 Program Start PF=T5 Power Spec Dimming* PI=Electronic T5 Instant Start (120V 28W only) PS=T8 Power Spec Dimming*	Add appropriate suffix to catalogue no.

* Not available in 347V.
For other ballast options, consult ballast specification sheet (folio BA-1-02)

SPECIFICATIONS

MATERIALS: One piece chassis constructed from die formed 20 gauge cold rolled steel. Reflectors - 95% reflectance baked white acrylic matte paint finish. Specular aluminum interior reflector. Soft white acrylic film on inside of lamp shield conceals lamp image.

FINISH: Chassis exterior - phosphate undercoating, baked white acrylic matte paint finish.

ELECTRICAL: Rapid start HPF, thermally protected class "P" ballast (Bi-tube type). If K.O.s are within 3" of ballast use wire suitable for at least 90C.

LABELS: Listed by CSA, UL

Job Information

Type:

C.F.I. Division of Canlyte, Inc.
525 Education Road, Cornwall, Ontario, Canada K6H 6C7 - (613) 938-6221
We reserve the right to change details of design, materials and finish.
© 2004 Genlyte Thomas Group LLC (Lightolier Division)
A0902