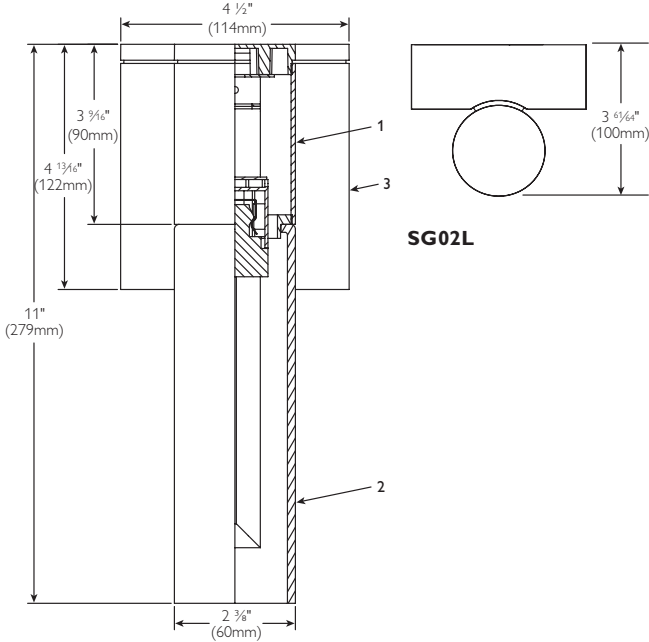
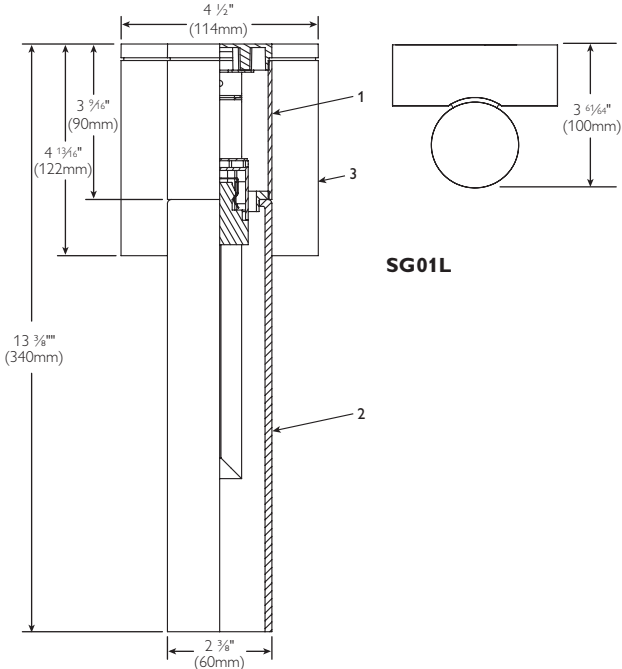


PW Series

Decorative, Vetro Wall Mount CFL & INC



Ordering Information:

Powerhead	Inner Diffuser	Outer Glass	Lamp	Volts
PW13SA	SG01L, SA01L, SG02L or SA02L	NA	4-pin Elect. Twin Tube 13W	120V
PW132SA			4-pin Elect. Twin Tube 13W	277V
PW13QSA			4-pin Quad Tube 13W	120V
PW132QSA			4-pin Quad Tube 13W	277V
PW50SA*			SG01L or SG02L only	T-4 Mini-Can 50W

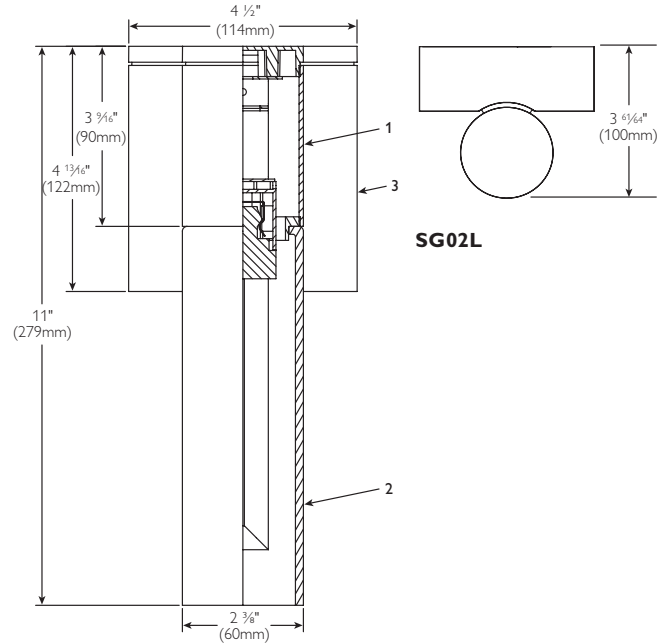
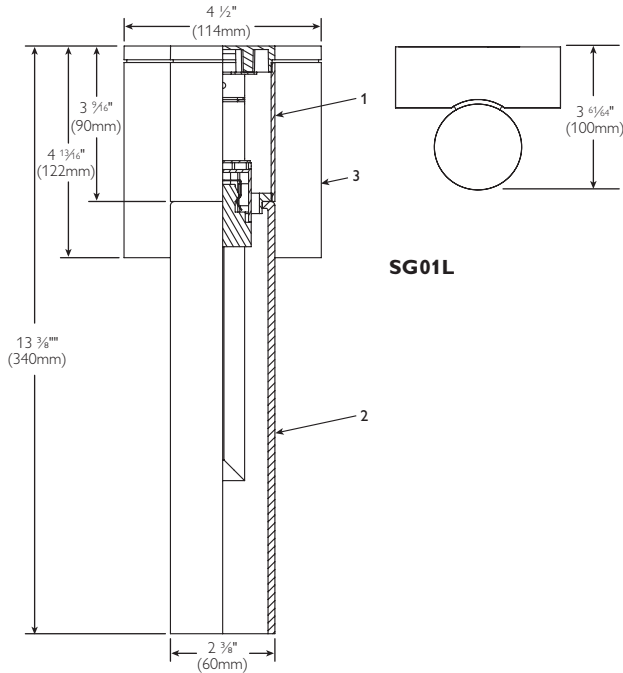
Must order wall chassis and glass separately. *DO NOT USE with acrylic accessories.

Job Information	Type:
Job Name:	
Cat. No.:	
Notes:	

PHILIPS
LIGHTOLIER

PW Series

Decorative, Vetro Wall Mount CFL & INC



Features

- 1. Power Compartment:** Die-cast and machined aluminum components. Brushed and clear lacquer finish.
- 2. Primary Diffuser:** (SG01L) triplex hand blown glass, (SA01L) opal acrylic, (SG02L) triplex hand blown glass or (SG02L) opal acrylic.
- 3. Backplate:** Die-cast aluminum, brushed and clear lacquer finish.

Lamping (by others)

Incandescent: 50W Max. T-4 Mini Candelabra

Compact Fluorescent:

General Electric	Osram/Sylvania	Philips
(1) 13W Twin Tube 4-Pin Compact Fluorescent Lamp		
N/A	CF13DS/E/*	N/A
(1) 13W Quad Tube 4-Pin Compact Fluorescent Lamp		
F13DBX/SPX*/4P	CF13DD/E/*	PL-CL3W/*/4P/ALTO

*Manufacturers color temperature designation

Electrical - Lampholders

Incandescent: E11 Base, porcelain, plated copper alloy screw shell

Compact Fluorescent: 13W Twin: 2GX7 Base, high impact thermoset polymer with brass contacts.

13W Quad: G24Q-1 Base, high impact thermoset polymer with brass contacts.

Ballasts: Fluorescent: Electronic	13 Watts TT		13 Watts QT	
	Voltage	120	277	120
Max. Watts	16	11	20	14
Max. Line Current (Amps)	0.136	0.08	0.174	0.114

Labels

cULus Listed. Suitable for damp locations.

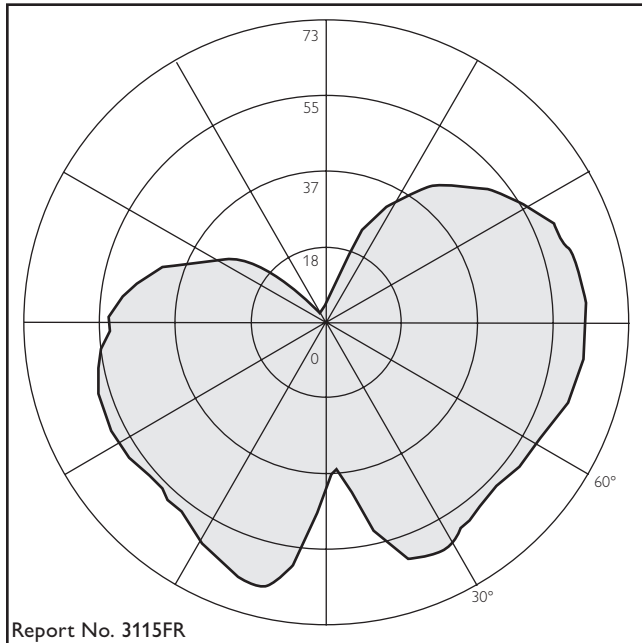
Job Information	Type:
------------------------	--------------

PHILIPS
LIGHTOLIER

PW Series

Decorative, Vetro Wall Mount CFL & INC

Catalog No. PW13SA w/SG01L, 13W 4 Pin Twin Tube, 800 Lumens.



Candlepower summary			
Angle	0°	45°	90°
0	42	42	42
5	35	37	50
10	43	47	62
15	53	60	68
20	60	65	69
25	61	66	67
30	61	64	65
35	59	62	63
40	58	61	61
45	57	60	60
50	57	60	60
55	58	60	61
60	59	61	61
65	60	62	62
70	61	63	63
75	62	64	63
80	63	65	64
85	63	65	62
90	63	65	63
95	63	65	62
100	63	65	62
105	62	64	60
110	61	63	59
115	60	62	56
120	57	59	53
125	55	56	50
130	51	53	46
135	47	49	41
140	43	45	36
145	39	40	30
150	33	34	22
155	27	26	14
160	19	17	8
165	10	8	3
170	3	3	1
175	1	1	1
180	1	1	1

Zonal Lumens and Percentages			
Zone	Lumens	%Lamp	%Fixt
0-30	53.06	6.6	8.2
0-40	97.48	11.4	14.1
0-60	190.3	23.8	29.4
0-90	381.35	47.7	58.9
90-120	174.62	21.8	27
90-130	214.22	26.8	33.1
90-150	257.49	32.2	33.1
90-180	265.77	33.2	41.1
0-180	647.03	80.9	100

** Efficiency = 80.9% **

Coefficients Of Utilization											
Ceiling	80%				70%		50%		30%		0
Wall	70	50	30	10	50	10	50	10	50	10	0
RCR	Zonal Cavity Method - Effective Floor Reflectance = 20%										
0	88	88	88	88	82	82	71	71	61	61	48
1	77	71	67	62	66	58	57	50	48	43	32
2	68	60	54	48	56	45	48	39	40	33	24
3	62	52	44	38	48	36	41	31	34	26	19
4	56	45	37	32	42	30	36	26	30	22	15
5	51	40	32	26	37	25	31	21	26	18	12
6	47	36	28	23	33	21	28	18	24	16	11
7	43	32	25	19	30	18	25	16	21	14	9
8	40	29	22	17	27	16	23	14	19	12	8
9	37	26	19	15	24	14	21	12	18	11	7
10	35	24	18	13	22	13	19	11	16	9	6

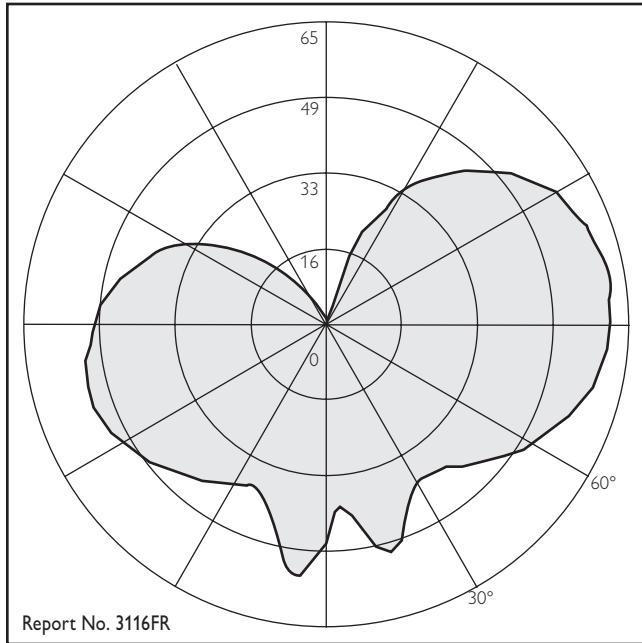
Determined in accordance with current IES published procedures
Luminaire Input Watts = 18

Job Information Type:



Decorative, Vetro Wall Mount CFL & INC

Catalog No. PW13SA w/SG02L, 13W 4 Pin Twin Tube, 800 Lumens.



Candlepower summary			
Angle	0°	45°	90°
0	45	45	45
5	40	42	51
10	47	50	56
15	51	55	53
20	47	50	47
25	42	45	43
30	39	42	41
39	39	41	42
40	40	43	44
45	43	46	47
50	46	48	49
55	48	51	52
60	51	54	54
65	54	57	56
70	56	59	58
75	58	61	60
80	60	63	61
85	61	64	61
90	61	64	61
95	61	65	61
100	62	65	61
105	61	65	60
110	60	64	58
115	59	62	56
120	57	60	53
125	54	57	50
130	51	53	46
135	47	50	42
140	43	46	37
145	39	41	31
150	33	35	24
155	27	28	16
160	19	19	9
165	11	10	4
170	4	4	2
175	2	2	1
180	1	1	1

Zonal Lumens and Percentages			
Zone	Lumens	%Lamp	%Fixt
0-30	38.44	4.8	6.5
0-40	64.77	8.1	10.9
0-60	146.09	18.3	24.6
0-90	325.97	40.7	55
90-120	173.56	21.7	29.3
90-130	213.56	26.7	36
90-150	258.21	32.3	36
90-180	267.22	33.4	45
0-180	593.19	74.1	100

** Efficiency = 74.1% **

Coefficients Of Utilization												
Ceiling	80%				70%		50%		30%		0	
	70	50	30	10	50	10	50	10	50	10		
Wall	70	50	30	10	50	10	50	10	50	10	0	
RCR	Zonal Cavity Method - Effective Floor Reflectance = 20%											
Room Cavity Ratio	0	80	80	80	80	75	75	64	64	45	45	41
	1	69	64	60	56	59	52	50	44	34	30	26
	2	62	54	48	43	50	40	42	34	27	23	19
	3	55	46	40	34	43	32	36	27	23	18	15
	4	50	40	33	28	37	26	31	22	20	14	12
	5	46	36	29	23	33	22	27	18	18	12	9
	6	42	32	25	20	29	18	24	16	16	10	8
	7	39	28	22	17	26	16	22	13	14	9	7
	8	36	26	19	15	24	14	20	12	13	8	6
	9	33	23	17	13	22	12	18	10	12	7	5
	10	31	21	16	12	20	11	17	9	11	6	5

Determined in accordance with current IES published procedures
Luminaire Input Watts =



Philips Lightolier
e: lol.webmaster@philips.com
t: (508) 679-8131
w: www.lightolier.com

PW-CFL-INC May 31, 2011

Specifications are subject to change without notice.
© Koninklijke Philips Electronics N.V., 2011. All rights reserved.

Job Information Type: