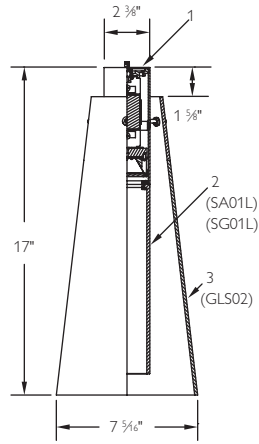
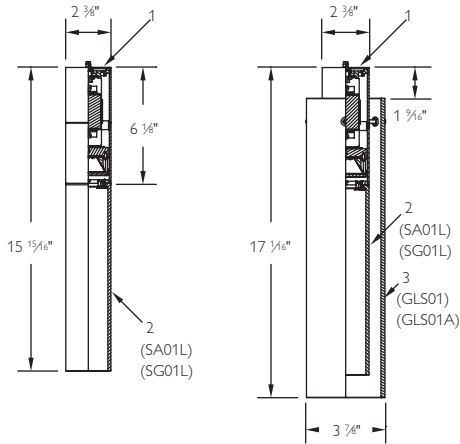
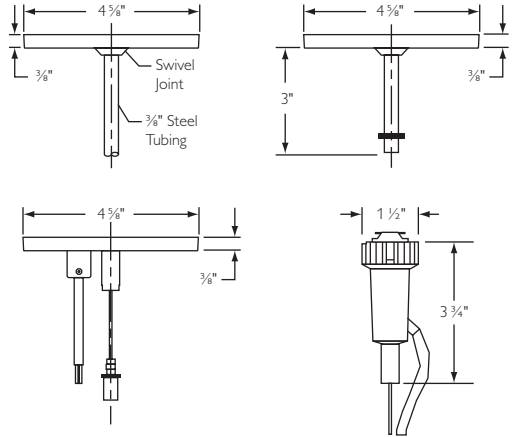


PS (Straight) Series

Decorative, Vetro Pendant LED



Suspension Kits



Power Heads:

Cat. No.	Lamp	Wts	CCT	Volts
PS01L27SAU	LED	6W	27k	120V to 277V
PS01L30SAU			30k	
PS01L35SAU			35k	
PS01L40SAU			40k	

Suspension Kits:

Cat.	Finish	Description
SK01		Clear Metallic Straight Cord/Cable, 120" Length, (10') w/Canopy
SK02		Clear Metallic Straight Cord/Cable, 300" Length, (25') w/Canopy
ST01	Satin Aluminum	36" Length 3/8" Stem w/Canopy
ST02		60" Length 3/8" Stem w/Canopy
CTC		Close to Ceiling Kit
TM01		Track Mounting Kit

Note: Power Head, Primary Glass and Suspension Kit must be ordered to make complete Luminaire. Outer Glass is optional.

Glass:

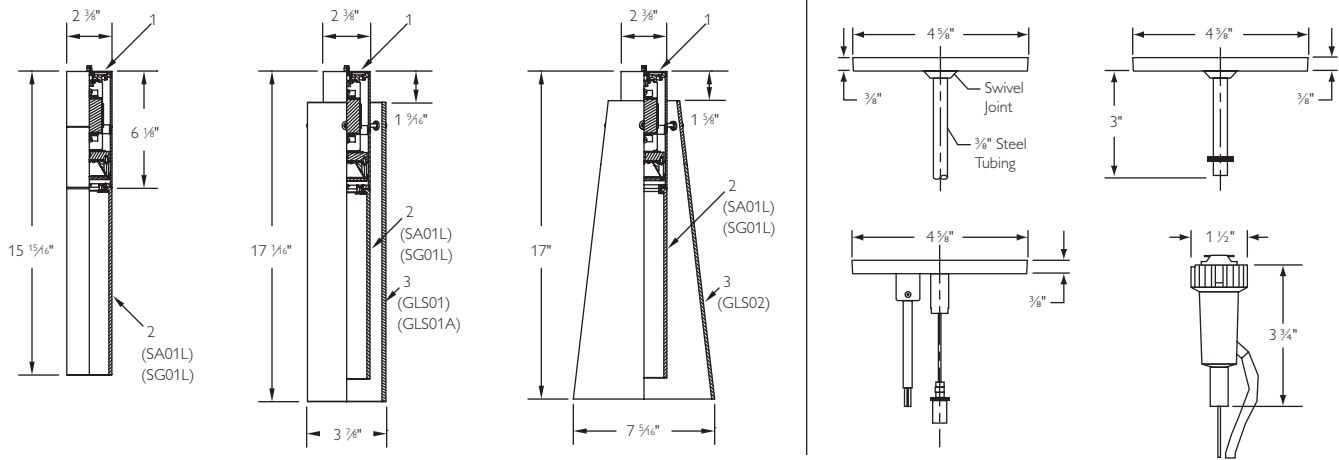
Cat.	Description	Compatibility
SG01L	Inner Opal Glass	Required for all glass options
SA01L	Inner Opal Acrylic	Required for all acrylic options
GLS01	Outer Clear Cylindrical Glass	Optional for all power heads
GLS01A	Outer Clear Cylindrical Acrylic	
GLS02	Outer Clear Conical Glass	

Job Information	Type:
Job Name:	
Cat. No.:	
Notes:	

PS (Straight) Series

Decorative, Vetro Pendant LED

Page 2 of 3



Features

- 1. Power Head:** Die cast and extruded aluminum components. Brushed and clear lacquer finish.
- 2. Primary Diffuser:** (SG01L) Triplex hand blown glass or (SA01L) opal acrylic.
- 3. Outer Glass/Acrylic Assembly:** (GLS01) A straight section of clear extruded glass with polished edges, (GLS02) a conical section of clear hand blown glass with polished edges, or (GLS01A) a straight section of clear acrylic. All outer assemblies come with a die cast aluminum holder ring with stainless steel support pins.
- 4. Optical Mixing Chamber:** Remote phosphor technology provides increased efficiency and color stability. Phosphor lens assembly positioned in front of LED array converts blue light to white and produces a wide even pattern of diffused light without bright spots created by individual LEDs. Uniform phosphor coating provides consistent, stable color with a shift of no more than +/-100K over life. Mixing chamber redirects scattered light back out through the emitting aperture.
- 5. Thermal Management:** Heat sink design maintains junction temperature for consistent, reliable performance and 50,000 hour lifetime at 70% lumen maintenance.

Electrical

LED Board: Array of 6 high brightness royal blue LEDs.

Input Voltage	Input Frequency	Input Current	LED Drive Current	Input Power	LED Power	Power Factor
80-308V	50/60Hz	475ma	350mA	6.9W	6W	0.6

Labels

cULus for damp locations.

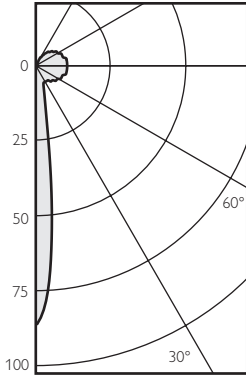
Job Information	Type:
------------------------	--------------

PHILIPS
LIGHTOLIER

PS (Straight) Series

Decorative, Vetro Pendant LED

Catalog No: PS01L40SAU-SG01L, 6.9W, 104 Lumens.



Report No. 4144FR

Angle	Mean CP	Angle	Mean CP
0	86	90	10
5	60	95	10
10	18	100	10
15	9	105	10
20	6	110	9
25	6	115	9
30	6	120	8
35	6	125	8
40	7	130	7
45	7	135	7
50	8	140	6
55	8	145	5
60	9	150	4
65	9	155	3
70	9	160	3
75	10	165	2
80	10	170	1
85	10	175	0

Zone	Lumens	%Lamp	%Fixt
0-30	10	5	9
0-40	14	7	13
0-60	26	13	25
0-90	56	28	54
90-180	48	23	46
0-180	104	51	100

Total Fixture Lumens: 104 lm
 Color Temp: 4000K
 LED Lumens: 203 lm
 Input Watts: 6.9W
 Luminaire Efficacy: 15 lm/w
 CRI: 78

RC	80			80			80			0
	70	50	30	70	50	30	70	50	30	0
RW	70	50	30	70	50	30	70	50	30	0
0	56	56	56	52	52	52	44	44	44	28
1	48	45	42	44	41	39	35	33	31	18
2	43	38	34	39	35	31	29	26	24	14
3	39	33	28	36	30	26	25	22	19	11
4	35	29	24	32	27	22	22	19	16	9
5	32	26	21	30	24	19	20	16	14	8
6	30	23	18	27	21	17	18	15	12	7
7	28	21	16	25	19	15	16	13	11	6
8	26	19	15	24	18	14	15	12	10	5
9	24	17	13	22	16	12	14	11	9	5
10	23	16	12	21	15	11	13	10	8	5

Effective Floor Cavity Reflectance 0.20

IESNA approved method for the electrical and photometric measurements of solid-state lighting products.



Philips Lightolier
 e: lol.webmaster@philips.com
 t: (508) 679-8131
 w: www.lightolier.com

PS-LED July 22, 2011

Specifications are subject to change without notice.
 © Koninklijke Philips Electronics N.V., 2011. All rights reserved.

Job Information Type: