

# PRISMALYTE (PNB) PNB SERIES 2U/6U/FT/17

Page 1 of 2

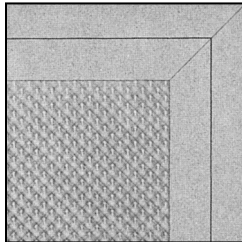
2'x2' SURFACE BOX FLUORESCENT, PREMIUM SPECIFICATION GRADE LENSED  
2, 3 OR 4 LAMP, T8, TT5, OR T12

## Features

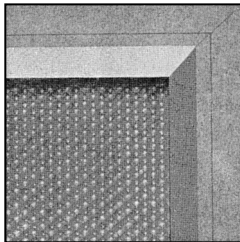
- Only 5-1/2" deep.
- Efficiency 57.3% (2U lamp T8).
- 1.4 spacing mounting ratio (2 lamp T8).
- 20 gauge steel body.
- 45° mitered corners (body and door frame).
- Side mounted ballast for cooler operation.
- Fully enclosed wiring.
- Available in three lens frame styles.
- Door jamb with positive light stop.
- Spring-loaded latches.
- Reversible door frame hinge.
- Available with floating or full size doors.
- Matches Prismalyte (PRA/PRS) recessed.
- Frames interchangeable with Deepcel (DPB).
- Meets NYC Code requirements.



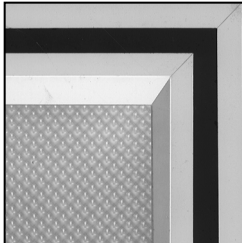
## FEATURES



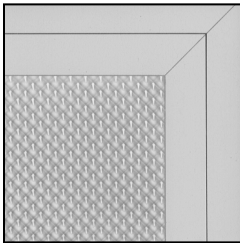
(FA) flat full-size aluminum frame.



(RA) regressed full-size aluminum frame.

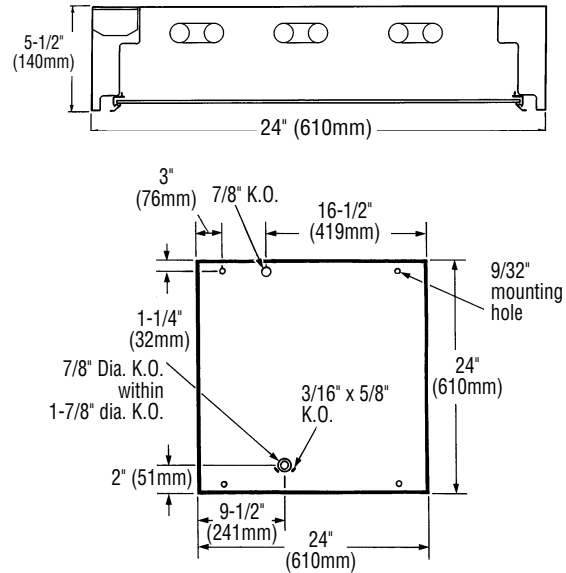


(RF) 1/2" regressed floating aluminum frame.

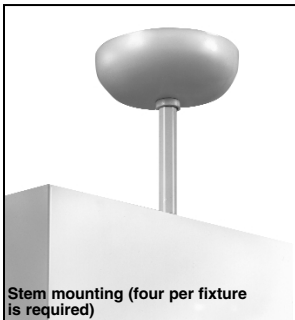


(FS) flat full-size steel frame.

## DIMENSIONS



## MOUNTING METHOD



### Job Information

### Type:

**Job Name:**

**Cat. No.:**

**Lamp(s):**

**Volts/Ballast:**

Lightolier a Genlyte Thomas Company

www.lightolier.com

Technical Information: (978) 657-7600 • Fax (978) 658-0595

631 Airport Road, Fall River, MA 02720 • (508) 679-8131 • Fax (508) 674-4710

We reserve the right to change details of design, materials and finish.

© 2002 Genlyte Thomas Group LLC (Lightolier Division)

A0902

Section 3A/Folio H50-18 REV. A

**LIGHTOLIER**®



PHOTOMETRY

**GT TESTING LABORATORY**  
45 Industrial Way  
Wilmington, MA 01887  
(508) 657-7600

REPORT NO.: G92067 DATE: 02-19-1992  
CATALOG NO.: PNB2SFAVA26U120SO  
LAMP(S): 2 31W/06/T8, EACH RATED 2850 LUMENS  
LUMINAIRE: 2X2 SURFACE LUMINAIRE 2U-LAMP  
W/FLS ALUM FRM & PAT #12 ACRYLIC LNS  
VOLTS: 120 WATTS: 82 MEASURED

**CANDELA DISTRIBUTION**

CANDELA	DISTRIBUTION	FLUX
0.0	22.5 45.0 67.5 90.0	
0	1497 1497 1497 1497 1497	
5	1489 1489 1489 1493 1495	142
15	1425 1432 1450 1472 1489	110
25	1304 1323 1373 1415 1434	632
35	1114 1150 1230 1301 1325	764
45	795 793 878 961 969	673
55	439 427 465 480 433	410
65	229 226 237 240 227	234
75	137 124 133 132 129	137
85	23 34 30 25 41	35
90	1 1 1 1 1	1

**ZONAL LUMEN SUMMARY**

ZONE	LUMENS	%LAMP	%FIXT
0-30	1155	19.7	34.5
0-40	1949	32.5	58.7
0-60	3032	50.5	88.2
0-90	3438	57.3	100.0
90-180	0	0.0	0.0
0-180	3438	57.3	100.0

**TOTAL LUMINAIRE EFFICIENCY**: 57.3 %  
**TOTAL REFLECTANCE OF PAINT**: 90.0 %  
**CIE TYPE** - DIRECT  
**PLANE**: 1/2 DEG 90-DEG  
**SPACING CRITERIA**: 1.2 1.1  
**SHIELDING ANGLES**: 90 90  
**LUMINOUS LENGTH**: 21.000 21.000

**LUMINANCE DATA IN FOOTLAMBERTS**

ANGLE	AVERAGE	AVERAGE	
IN DEG	0-DEG	45-DEG	90-DEG
0	1538.	1536.	1536.
45	1153.	1274.	1406.
55	795.	832.	774.
65	598.	575.	581.
75	543.	527.	511.
85	271.	353.	483.

THIS REPORT IS BASED ON PUBLISHED INDUSTRY PROCEDURES - FIELD PERFORMANCE MAY DIFFER FROM LABORATORY PERFORMANCE

MODEL NO. PNB2SFAVA26U120SO

coefficients of utilization — zonal cavity method

RF	20			20			20			
RC	80			50			30			
RW	70	50	30	50	30	10	50	30	10	
room cavity ratio	1	64	61	59	58	56	55	56	54	53
2	59	55	52	52	50	48	50	48	46	46
3	55	50	46	47	44	42	46	43	41	41
4	51	45	40	43	39	36	41	38	36	36
5	47	40	36	38	35	32	37	34	32	32
6	43	36	32	35	31	28	34	31	28	28
7	40	33	28	32	28	25	31	27	25	25
8	37	30	25	29	25	22	28	24	22	22
9	34	27	22	26	22	19	25	22	19	19
10	32	24	20	23	20	17	23	19	17	17

visual comfort probability

room size		ceiling height				ceiling height			
W	L	8.5	10.0	13.0	16.0	8.5	10.0	13.0	16.0
20	20	67	71	77	82	66	69	75	78
20	30	61	64	70	74	60	63	68	71
20	40	59	61	65	68	57	59	63	66
20	60	58	60	61	63	55	57	59	62
30	20	67	72	77	80	67	71	75	78
30	30	61	64	69	72	61	63	67	70
30	40	58	60	63	66	57	59	62	64
30	60	57	58	59	61	55	56	57	60
30	80	57	58	57	59	55	55	55	57
40	20	69	73	77	80	68	72	76	78
40	30	62	65	69	72	62	64	67	70
40	40	58	60	63	66	58	60	62	64
40	60	57	58	58	60	56	57	57	59
40	80	57	57	56	58	55	56	55	56
40	100	59	58	56	57	56	56	54	55
60	30	63	66	69	72	63	65	68	71
60	40	60	61	63	66	60	61	62	64
60	60	58	58	57	60	57	57	57	59
60	80	58	57	55	57	56	56	54	56
60	100	59	57	55	56	57	56	53	54
100	40	63	64	65	68	63	64	64	67
100	60	61	61	59	61	61	60	59	61
100	80	61	59	56	58	60	59	56	57
100	100	61	59	55	56	60	58	55	55

ORDERING INFORMATION Explanation of Catalog Number. Example: PNB2SFAVA26U120SOGLR

<b>PN</b>	<b>B</b>	<b>2</b>	<b>S</b>							
<b>PRISMALYTE:</b> Lens Frame Surface Fluorescent	<b>BODY STYLE:</b> Surface Box	<b>FIXTURE WIDTH</b>	<b>CEILING TYPE:</b> S=Surface	<b>LENS FRAME:</b> FA= Flush full-size aluminum frame FS=Flush full-size steel frame RA=Regressed full-size aluminum frame RF*=1/2" regressed floating aluminum frame	<b>LENS/SHIELDING TYPE:</b> VA=Virgin acrylic (standard) See specifications and consult factory	<b>LAMP QUANTITY:</b> (By Others) 2=2 Lamp 3=3 Lamp 4=4 Lamp (T8, 2' Lamp Only)	<b>VOLTAGE:</b> 120 or 277	<b>LAMP/FIXTURE LENGTH:</b> 6U= 6'U Lamp T8 or T12 2U= T8, 1-5/8" U Lamp FT= Twin Tube T5 17= T8, 2' Lamp (Nominal 24")	<b>BALLAST TYPE:</b> 1 & 2 Lamp Mag. T12 1-2 Lamp Mag. 1 & 2 Lamp Elec 1-2 Lamp Elec. T8 1-2 Lamp Elec. TT5 (40 Watt) 1-3 Lamp Elec. T8 1-3 Lamp Elec. TT5 1-4 Lamp Elec. T8 LOL Dimming T8 LOL Dimming TT5 *Instant Start Standard	<b>OPTIONS:</b> Add appropriate suffix to catalog no., ie: (GLR) LE LE <20THD <10THD SO* HI* SQ* HI* SB* IB* O3* H3* X3* I3* O4* H4* PS - PB -

\*With 7/16" black reveal four sides.

OPTIONS & ACCESSORIES

- FUSING:** Internal fast-blow fusing. SUFFIX: **GLR**.  
Internal slow-blow fusing. SUFFIX: **GMF**.
- RADIO INTERFERENCE FILTER** 120 or 277 volt, 50 or 60 Hz. One per fixture is standard. SUFFIX: **RF**.
- ELECTRICAL/WIRING OPTIONS** Consult factory.
- STEM AND CANOPY SETS:** Suspends fixture 6", 12", 18" or 24" from surface. (Four per fixture is required.) **Catalog Number:** **ASC6 CSP** (6"), **ASC12 CSP** (12"), **ASC18 CSP** (18"), **ASC24 CSP** (24").

SPECIFICATIONS

**PERFORMANCE:** In an installation of 2 lamp 31W luminaires in a room cavity ratio of 1, reflectance 80% ceiling, 50% wall, 20% floor, the C.U. shall not be less than .61. To prevent glare the VCP shall not be less than 57 either lengthwise or crosswise (at 100 fc level) and the average brightness at 65° shall not exceed 575 footlamberts. To control veiling reflections, luminaire output in the 30° - 90° zone shall be not less than 65.5%.

SPECIFICATIONS (continued)

**MATERIALS:** Chassis parts are die-formed 20 gauge cold rolled steel, stud-welded for rigidity. **Lens Frame**—(FA) flush full-size aluminum frame, (FS) flush full-size steel frame, (RA) regressed full-size aluminum frame, (RF) 1/2" regressed floating aluminum frame with 7/16" black reveal, four sides. **FINISH:** Chassis exterior—white baked acrylic enamel. **Cavity**—white baked acrylic enamel minimum reflectance 86%. Phosphate undercoating. **Lens**—extruded virgin acrylic, 3/16" square based female cones, running 45° to the panel edge, .095" nominal thickness (similar to pattern 12). **ELECTRICAL:** Thermally protected class "P" ballast C.B.M. approved, non PCB. If K.O. is within 3" of ballast, use wire suitable for at least 90°. **LABELS:** I.B.E.W./UL and C-UL.

Job Information Type:

**Lightolier** a Genlyte Thomas Company www.lightolier.com  
Technical Information: (978) 657-7600 • Fax (978) 658-0595  
631 Airport Road, Fall River, MA 02720 • (508) 679-8131 • Fax (508) 674-4710  
We reserve the right to change details of design, materials and finish.  
© 2002 Genlyte Thomas Group LLC (Lightolier Division)  
A0902 **Section 3A/Folio H50-18 REV. A**

