

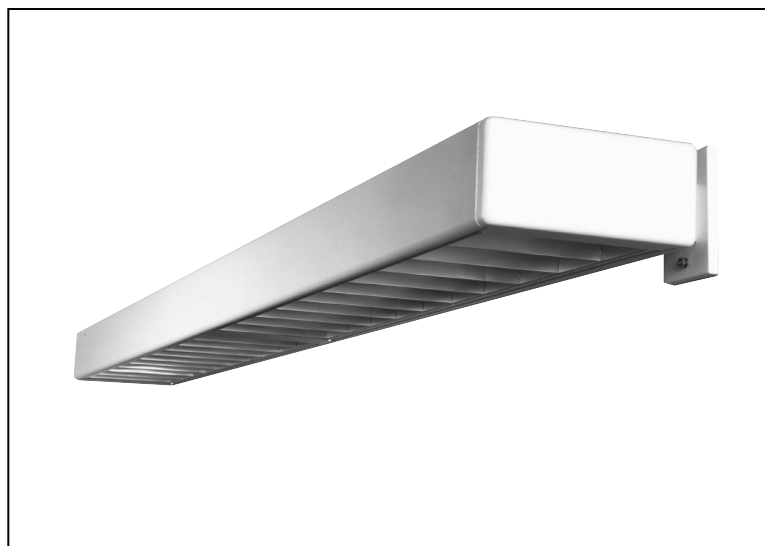
PARALYTE WALL MOUNT **PLW SERIES** DOWNLIGHT

Page 1 of 2

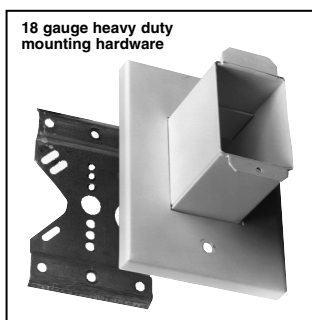
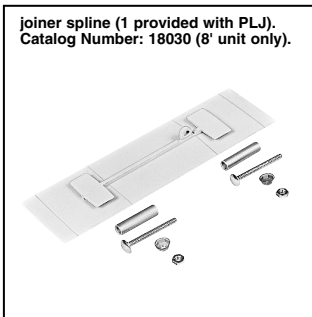
DOWNLIGHT, 4 5/8" DEEP, 10" WIDE
48" OR 96" NOMINAL LENGTHS, 1 OR 2 LAMP, T8 OR T12

FEATURES

- Downlight wall mount.
- Softly rounded corners and edges create a subtle architectural appearance.
- No visible fasteners (body).
- Self-aligning ends for hairline joints in continuous row mounting.
- Efficiency 68.6% (48" length, 2 lamp).
- Off-white acrylic baked enamel (standard finish).
- 20 gauge body.
- Die-cast aluminum end caps.
- Heavy 18 gauge welded mounting brackets.
- Fits 4" octagonal box.
- Pre-anodized low iridescence semi-specular aluminum parabolic louver with protective film dust bag (standard).
- Spring-loaded latches.
- Bead safety chain allows louver to be suspended safely for relamping.



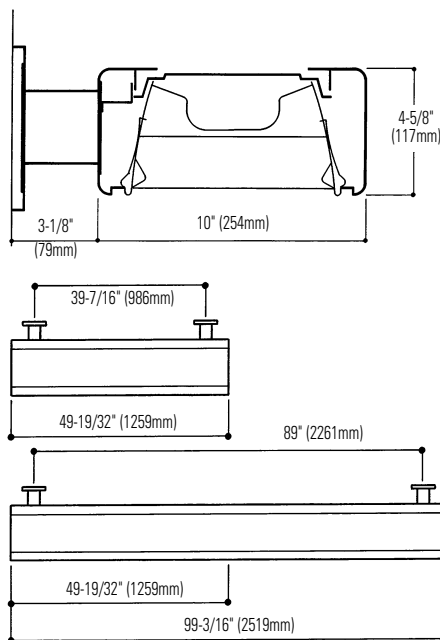
MOUNTING METHODS/FEATURES



Without fixture mounting hardware is secured to wall or 4" octagonal box. Slots on mounting side of fixture hook onto mounting hardware for easy installation.

Catalog Number: PLW BRACKET
(Set of 2 each fixture)

DIMENSIONS



Job Information

Type:

Job Name:

Cat. No.:

Lamp(s):

Volts/Ballast:

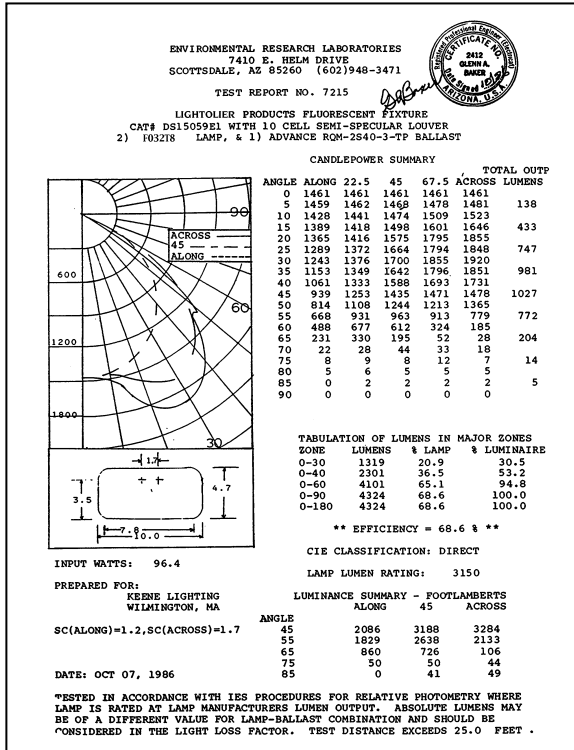
Lightolier a Genlyte Thomas Company www.lightolier.com
 Technical Information: (978) 657-7600 • Fax (978) 658-0595
 631 Airport Road, Fall River, MA 02720 • (508) 679-8131 • Fax (508) 674-4710
 We reserve the right to change details of design, materials and finish.
 © 2002 Genlyte Thomas Group LLC (Lightolier Division)
 A0902 SECTION 5/Folio K30-31

LIGHTOLIER®

PARALYTE WALL MOUNT PLW SERIES DOWNLIGHT

PHOTOMETRY

MODEL NO. PL4MW10LS232



coefficients of utilization — zonal cavity method

room cavity ratio	20			50			10		
	RF	RC	RV	RF	RC	RV	RF	RC	RV
1	77	74	72	70	68	67	67	66	65
2	71	67	63	64	59	58	61	59	57
3	66	61	56	57	54	51	56	53	50
4	61	54	49	52	48	44	50	47	44
5	56	48	43	46	42	38	45	41	38
6	52	43	38	42	37	33	40	36	33
7	48	39	33	37	32	29	36	32	29
8	44	35	29	33	29	25	32	28	25
9	40	31	25	30	25	21	29	24	21
10	37	28	22	27	22	19	26	22	19

visual comfort probability (VCP) average 100 fc; reflectances 80/50/20

room size	ceiling height	ceiling height			ceiling height				
		8.5	10.0	13.0	8.5	10.0	13.0		
20	20	63	54	51	59	72	60	52	52
20	30	68	59	51	52	76	64	58	54
20	40	70	63	57	51	77	68	64	59
20	60	72	65	51	56	78	70	67	63
30	20	70	61	50	55	78	65	53	50
30	30	74	66	54	54	81	69	59	53
30	40	75	69	59	50	81	73	64	58
30	60	76	71	63	54	81	73	68	62
30	80	76	71	65	58	83	75	69	65
40	20	70	63	56	56	78	65	58	51
40	30	75	69	59	51	81	71	64	54
40	40	76	72	64	52	81	74	68	58
40	60	77	73	68	56	82	75	71	62
40	80	77	73	69	60	84	77	72	65
40	100	77	73	71	62	84	79	74	67
60	30	76	69	62	52	82	71	65	57
60	40	78	73	67	56	82	75	70	61
60	60	79	74	70	60	83	75	73	65
60	80	79	74	71	64	85	78	74	68
60	100	80	75	73	65	85	79	75	69
100	40	79	74	67	57	83	76	70	61
100	60	80	76	71	62	84	78	74	66
100	80	81	77	73	66	85	79	75	69
100	100	82	77	74	68	86	81	76	61

ORDERING INFORMATION

Explanation of Catalog Number. Example: PL4MW10LS232120S0GLR

PL	LENGTH OF FIXTURE: 4=Nominal 48" 8=Nominal 96"	W	10	S	LAMP QUANTITY: 1 or 2	VOLTAGE: 120 or 277	OPTIONS: Add appropriate suffix to catalog no. ie: (GLR)
PARALYTE: 2" Deep Parabolic Precision Contoured Pre-anodized Aluminum Louver	BODY STYLE: M=Individual J=Joiner Module	FIXTURE MOUNTING: W=Wall Mount	NUMBER OF CELLS: 10 (48" Length)	LOUVER FINISH**: L= Low Iridescence Semi-specular (standard) P= Low Iridescence Specular	TOP REFLECTOR: S=White Baked Enamel	LAMP TYPE/ FIXTURE LENGTH: (Nominal 48") 32=T8 (Nominal 96") 1 or 2-48" Lamps in Tandem	BALLAST TYPE: <20THD SO* 04* <10THD HI*

**Consult factory for availability of louver finishes.

OPTIONS & ACCESSORIES

FUSING: Internal fast-blow fusing. SUFFIX: **GLR**.
Internal slow-blow fusing. SUFFIX: **GMF**.

ELECTRICAL/WIRING OPTIONS: Consult factory.

MOUNTING HARDWARE: Order Catalog Number: **PLW BRACKET** (set of 2 each fixture).

SPECIFICATIONS

PERFORMANCE: In an installation of 2 lamp 32W luminaires in a room cavity ratio of 1, with reflectance of 80% ceiling, 50% wall, 20% floor, the C.U. shall not be less than .74. To reduce glare the VCP shall be not less than 79 either lengthwise or crosswise (at 100fc level) and the average brightness at 65° shall not exceed 860 footcandle. To control veiling reflections, luminaire output in the 30°-90° zone shall be not less than 69.5%.

MATERIALS: Chassis parts—are die-formed 20 gauge code cold rolled steel. End caps—are die-cast aluminum with soft rounded corners. Mounting hardware—heavy 18 gauge welded mounting brackets. **Louver**—pre-anodized aluminum (Coilzak® or equal).

SPECIFICATIONS (continued)

FINISH: Louver—low iridescence semi-specular anodized aluminum (standard). **Chassis exterior**—semi-gloss, off-white baked enamel. **Cavity**—white baked enamel. Phosphate undercoating.

ELECTRICAL: Thermally protected class "P" ballast C.B.M. approved, non PCB. If K.O. is within 3" of ballast, use wire suitable for at least 90°.

LABELS: I.B.E.W. UL and ULc Listed.

Job Information

Type:

Lightolier a Genlyte Thomas Company www.lightolier.com
Technical Information: (978) 657-7600 • Fax (978) 658-0595
631 Airport Road, Fall River, MA 02720 • (508) 679-8131 • Fax (508) 674-4710
We reserve the right to change details of design, materials and finish.
© 2002 Genlyte Thomas Group LLC (Lightolier Division)
A0902 **SECTION 5/Folio K30-31**

LIGHTOLIER