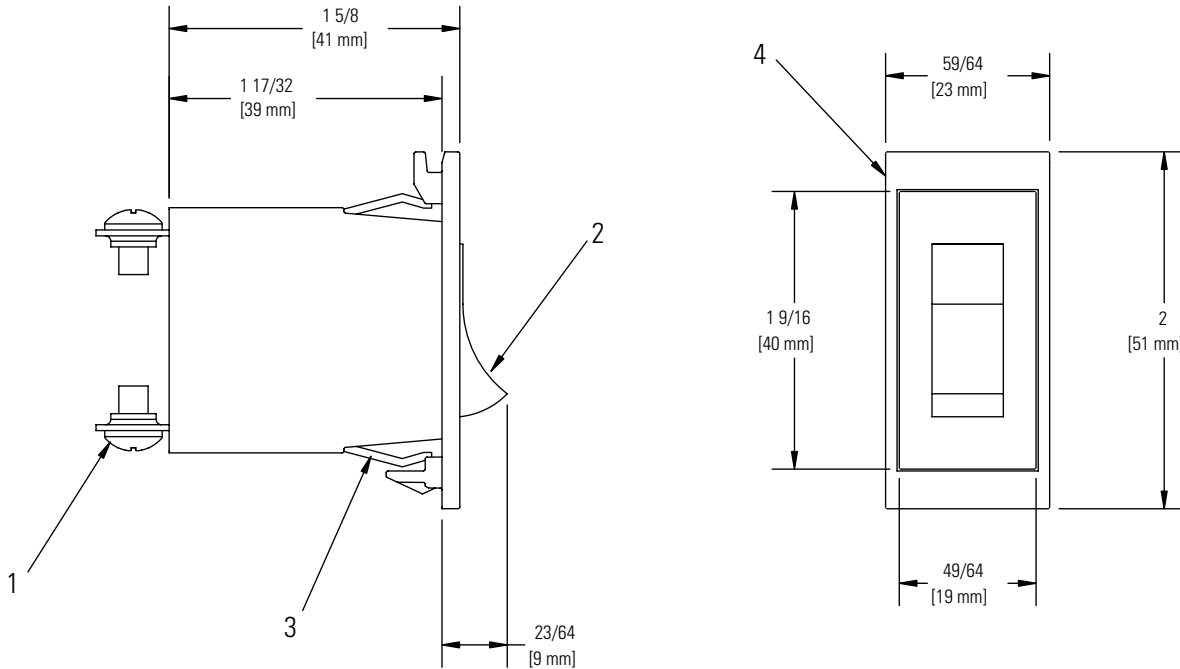


Lytespan® Track Lighting System **PLD120**



Catlog No.	Rating	Finish	Mounting	Compatible Connector Kits
PLD120BK/WH	1.0A, 120W	Black/White	Snaps in directly to any compatible PowerTrip™ Connector Kit	9099WH, BK 9033WH, BK 6099WH, BK 6033WH, BK 6199WH, BK 6133WH, BK
PLD240BK/WH	2.0A, 240W	Black/White		
PLD360BK/WH	3.0A, 360W	Black/White		
PLD480BK/WH	4.0A, 480W	Black/White		
PLD600BK/WH	5.0A, 600W	Black/White		
PLD720BK/WH	6.0A, 720W	Black/White		
PLD840BK/WH	7.0A, 840W	Black/White		
PLD900BK/WH	7.5A, 900W	Black/White		
PLD960BK/WH	8.0A, 960W	Black/White		
PLD1080BK/WH	9.0A, 1080W	Black/White		
PLD1200BK/WH	10.0A, 1200W	Black/White		
PLD1320BK/WH	11.0A, 1320W	Black/White		
PLD1440BK/WH	12.0A, 1440W	Black/White		

Features

1. Wire Terminals: #8 screws for 12 or 14 ga. solid copper wires.
2. Reset Rocker: Easy switch like breaker re-set actuator with ON/OFF markings. Red color indicates OFF position. Can be used as standard ON/OFF switch
3. Panel Mount: Breaker snaps into plastic adapter plate connector without the use of tools.
4. Adapter Plate: Polycarbonate plastic plate snaps into PowerTrip™ track connector without the use of tools.

Electrical

Capacity is 120 volts, 60Hz. All Lytespan® Track luminaires are polarized and continuously grounded throughout. Electrical conductors are concealed in an insulating liner. Intended for wiring to branch circuit building wire with ground. All wiring must be in accordance with National and Local Codes.

Short Circuit Current Rating (AIC): 1kA

Use 90° C minimum supply wire.

Labels

U.L. listed.

Job Information	Type:
Job Name:	
Cat. No.:	
Lamp(s):	
Notes:	