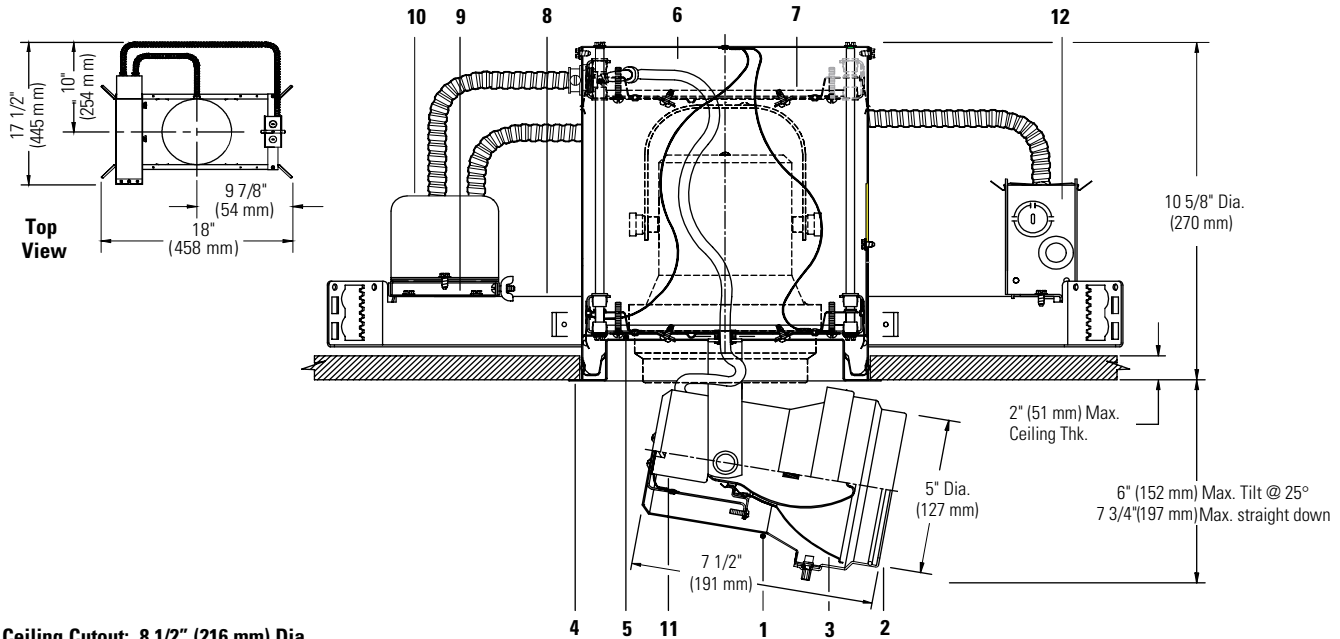




Calculite® H.I.D. Pull Down Adjustable **PDE17**



Ceiling Cutout: 8 1/2" (216 mm) Dia.

Complete luminaire consists of Reflector & Frame-In Kit. Select each separately.

Reflector		Frame-In Kit		Lamp*
83ED17RNS	Narrow Spot	PDE17 70MH	120/277V	70W ED17 Ceramic M.H. Clear Lamp (Philips)
83ED17RS	Spot	PDE17 10MH	120/277V	100W ED17 Ceramic M.H. Clear Lamp (Philips)
83ED17RF	Flood			
83ED17RWF	Wide Flood			

*Note: use only open rated type M.H. lamp.

Features

- Adjustable Lytespot:** 0.04" aluminum, matte white finish. Provides 80° maximum tilt, 358° horizontal rotation, lockable. Matches Semi-Recessed and Track Mount Lytespot. (See Specification Sheets SRPE17, 8388 and 8389).
- Accessory Cartridge:** 0.06" aluminum, matte white finish. Accepts up to two 4 3/4" dia. Accessories; color filter, lens, screen and louver. (See AF4 series Specification Sheets).
- Reflector:** 0.04" aluminum, clear anodized. Available in four beam spread; field interchangeable. Snap and lock for field installation. Order each separately. (See Specification Sheets 83ED17).
- Aperture Trim:** 0.036" aluminum, matte white finish. 7" diameter aperture opening, 9 1/4" diameter outside flange. Secured with spring clips.
- Support Plate:** Die-formed steel provides support for Lytespot and closes off luminaire interior from view. Keyhole attachments for yoke servicing. Matte black finish.
- Housing:** 0.036" rolled steel. With access door to J-Box. Matte black finish. Removes from below for ballast replacement.
- Pull Down Mechanism:** Twin steel rods for up and down travel Lytespot. Nylon bushings allow smooth motion. Locking screw for permanent position of Lytespot. A 40° vertical positioning of Lytespot, when partially retracted, is provided for minimum projection.
- Mounting Frame:** Die-formed steel, 16 ga. Vertical bends for maximum rigidity. 4 mounting brackets to accept standard 3/4" or 1 1/2" lathing channel, 1/2" EMT, or optional Lightolier mounting bars Cat. No. 1950 (18") or 1951 (27")
- Ballast Support Bracket:** Secures ballast onto mounting frame with thumb nuts from below for ballast replacement.
- Ballast:** Dual tap, 120/277V, magnetic, thermal protected, lag type high reactance autotransformer, high power factor, encased and filled, minimum starting temperature is -22° F (-30°C)
- Lampholder:** Medium base porcelain pulse rated, nickel plated screw shell, prewired with #18 AWG SF-2 leads

Features (continued)

- Junction Box:** UL listed for maximum of (8) no. 12 AWG 75°C through branch conductors or 60°C conductors for end of run.
- Non-IC Type Frame-In Kit:** Insulation must be kept 3" away from fixture sides and wiring compartments and must not be placed above fixture in a manner which will entrap heat.

Electrical

Ballast	ANSI Code	Voltage	Max. Amps.	Input Wattage
70W MH	M98	120/277	2.0/0.9	94W
100W MH	M90	120/277	2.4/1.1	125W

Option & Accessories

Electronic Ballast: Consult Factory

Fuse: Add suffix **F1** or **F2** to Frame-In Kit (F1=120V, F2=277V)

Labels

UL Listed (Suitable for damp locations), I.B.E.W. Union Made.

Job Information	Type:
Job Name:	
Cat. No.:	
Lamp(s):	
Notes:	

Lightolier a Genlyte Thomas Company www.lightolier.com
 631 Airport Road, Fall River, MA 02720 • (508) 679-8131 • Fax (508) 674-4710
 We reserve the right to change details of design, materials and finish.
 © 2002 Genlyte Thomas Group LLC (Lightolier Division) • A0902

LIGHTOLIER®