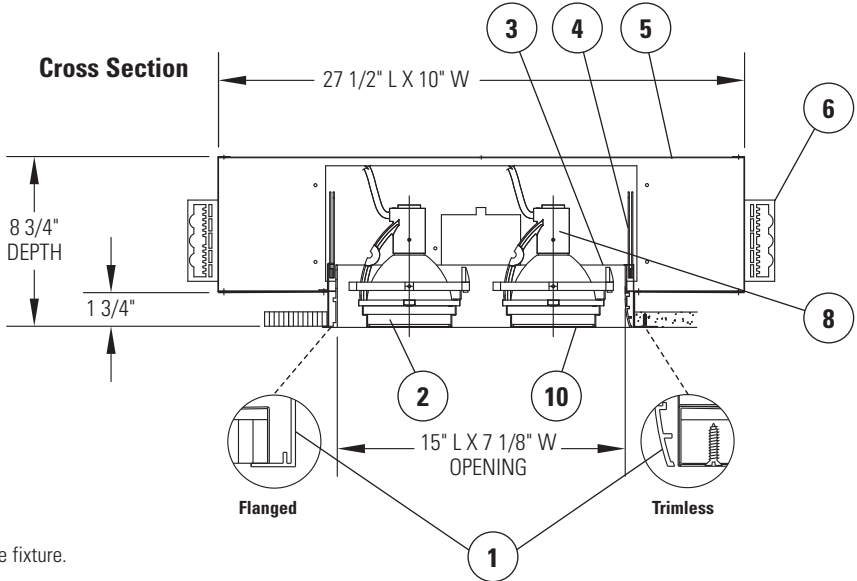


Ceiling Cutout: 15 1/2" x 7 5/8"



Ordering Instructions:

Order the fixture desired and one T6 reflector per lamp in the fixture.
Reflector catalog numbers:

- MHT6RS:** 10° Spot
- MHT6RNF:** 25° Narrow Flood
- MHT6RF:** 40° Flood

Family	Lamps	Reflectors	Wattage	Voltage	Color and Trim
PB	2 T6.5 Metal Halide	T6	39 = 39W 70 = 70W	1 = 120V 2 = 277V	BL = Black with white flange WL = White with white flange BTL = Black Trimless WTL = White Trimless

Features

- 1. Aperture Frame:** Provides clean support for lamp holders and overlapping flange or trimless installation. Extruded aluminum. Rigidly welded together on all corners.
- 2. Media Cartridge:** Allows convenient loading and removal of one accessory. Easily installed and removed for lamping with a simple twisting motion. Constructed of die-formed aluminum.
- 3. Lockable Adjustment Ring:** Allows 40° lengthwise and 30° widthwise adjustment. Locks lampholder in place to prevent inadvertent realignment during relamping.
- 4. Tortiontite Spring:** For easy installation of aperture frame.
- 5. Housing:** Die-formed 22 ga. steel. Finish: Black.
- 6. Mounting Brackets:** Adjustable vertically from outside of housing.
- 7. Thermal Protector:** Meets NEC, UL, and CSA requirements.
- 8. Lampholder:** Porcelain medium based; nickel plated screw shell. Prewired with #18 SF-1 leads to junction box.
- 9. Junction Box:** 14 ga. steel, 4" x 3 1/2" x 3" box. Allows inspection from below.
- 10. Safety Lens:** Tempered 1/8" glass. Meets or exceeds U.L. safety requirement for metal halide lamps.
- 11. Reflector (not shown):** Interchangeable reflectors available to allow for desired precise beam spread without the need of additional lenses. Reflectors are sold separately. see MHT6R S/NF/F specification sheets.

Finish

All painted finishes are powder coated baked enamel.

Electrical

- Lamping:** Ceramic T6 Metal Halide. Single ended, G12 base.
- Electronic Ballast:** Individual for each lamp. High Power Factor.
- Input watts:** 78, line current: .67 amps. Accessible from below.
- UL listed for through branch circuit wiring with maximum of (8) no. 12 AWG 90°C.

Options & Accessories

Accessories: 3 3/4" dia. series, filters, lenses, screens, and louvers (2) max. with fixtures on marked spacing: **Fixtures 5' on center, 1/2" to overhead, 2-1/2" to side building member.**

Label

UL/cUL (Suitable for Damp Location), I.B.E.W.

Job Information	Type:
Job Name:	
Cat. No.:	
Lamp(s):	
Notes:	

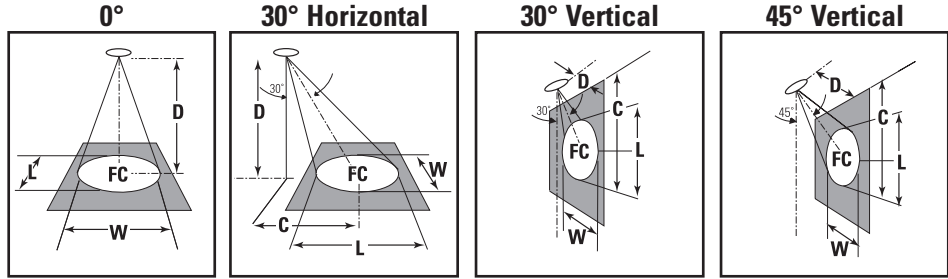


AIMING ANGLE:

- L** Beam length
- W** Beam width
- C** Distance to center beam
- D** Distance
- A** Aiming Angle
- FC** Footcandles

L and W are the outer points where the candle power drops to 50% of the maximum. FC are the initial footcandles at the center of the beam.

Lamp data shown is typical. Consult lamp manufacturers for availability and performance.



10° Spot — MHT6RS:

	Beam Spread (To 50% CBCP)	CBCP	Rated Life (Hrs.)	0° Horizontal Aiming				30° Horizontal Aiming					30° Vertical Aiming					45° Vertical Aiming				
				D	FC	L	W	D	C	FC	L	W	D	C	FC	L	W	D	C	FC	L	W
39W T6 CMH	10° X 10°	28,105	9,000 to 12,000	10'	281	1.7'	1.7'	8'	4.6'	285	1.9'	1.6'	4'	6.9'	220	2.9'	1.4'	6'	6.0'	276	2.1'	1.5'
				15'	125	2.6'	2.6'	12'	6.9'	127	2.8'	2.4'	6'	10.4'	98	4.3'	2.1'	9'	9.0'	123	3.2'	2.2'
				20'	70	3.5'	3.5'	16'	9.2'	71	3.7'	3.2'	8'	13.9'	55	5.7'	2.8'	12'	12.0'	69	4.2'	3.0'
				25'	45	4.4'	4.4'	20'	11.5'	46	4.7'	4.0'	10'	17.3'	35	7.2'	3.5'	15'	15.0'	44	5.3'	3.7'
70W T6 CMH	10° X 10°	52,142	9,000 to 15,000	15'	232	2.6'	2.6'	10'	5.8'	339	2.3'	2.0'	6'	10.4'	181	4.3'	2.1'	8'	8.0'	288	2.8'	2.0'
				20'	130	3.5'	3.5'	15'	8.7'	151	3.5'	3.0'	8'	13.9'	102	5.7'	2.8'	12'	12.0'	128	4.2'	3.0'
				25'	83	4.4'	4.4'	20'	11.5'	85	4.7'	4.0'	10'	17.3'	65	7.2'	3.5'	14'	14.0'	94	4.9'	3.5'
				30'	58	5.2'	5.2'	25'	14.4'	54	5.8'	5.1'	12'	20.8'	45	8.6'	4.2'	16'	16.0'	72	5.6'	4.0'

25° Narrow Flood — MHT6RNF:

	Beam Spread	CBCP	Rated Life (Hrs.)	0° Horizontal Aiming				30° Horizontal Aiming					30° Vertical Aiming					45° Vertical Aiming				
				D	FC	L	W	D	C	FC	L	W	D	C	FC	L	W	D	C	FC	L	W
39W T6 CMH	21° X 21°	10,932	12,000	8'	171	3.0'	3.0'	8'	4.6'	111	4.0'	3.4'	3'	5.2'	152	5.0'	2.2'	5'	5.0'	155	3.8'	2.6'
				10'	109	3.7'	3.7'	10'	5.8'	71	5.0'	4.3'	4'	6.9'	85	6.6'	3.0'	6'	6.0'	107	4.6'	3.1'
				12'	76	4.4'	4.4'	12'	6.9'	49	6.0'	5.1'	5'	8.7'	55	8.3'	3.7'	7'	7.0'	79	5.4'	3.7'
				14'	56	5.2'	5.2'	14'	8.1'	36	7.0'	6.0'	6'	10.4'	38	9.9'	4.4'	8'	8.0'	60	6.1'	4.2'
70W T6 CMH	21° X 21°	16,929	12,000	8'	311	3.0'	3.0'	8'	4.6'	202	4.0'	3.4'	3'	5.2'	277	5.0'	2.2'	5'	5.0'	282	3.8'	2.6'
				10'	199	3.7'	3.7'	10'	5.8'	129	5.0'	4.3'	4'	6.9'	156	6.6'	3.0'	6'	6.0'	196	4.6'	3.1'
				12'	138	4.4'	4.4'	12'	6.9'	90	6.0'	5.1'	5'	8.7'	100	8.3'	3.7'	7'	7.0'	144	5.4'	3.7'
				14'	102	5.2'	5.2'	14'	8.1'	66	7.0'	6.0'	6'	10.4'	69	9.9'	4.4'	8'	8.0'	110	6.1'	4.2'

40° Flood — MHT6RF:

	Beam Spread	CBCP	Rated Life (Hrs.)	0° Horizontal Aiming				30° Horizontal Aiming					30° Vertical Aiming					45° Vertical Aiming				
				D	FC	L	W	D	C	FC	L	W	D	C	FC	L	W	D	C	FC	L	W
39W T-6	40° X 40°	3,849	9,000 to 15,000	6'	107	4.4'	4.4'	6'	3.5'	69	6.1'	5.0'	2'	3.5'	120	9.7'	2.9'	3'	3.0'	151	5.0'	3.1'
				8'	60	5.8'	5.8'	8'	4.6'	39	8.1'	6.7'	3'	5.2'	53	14.5'	4.4'	4'	4.0'	85	6.7'	4.1'
				10'	38	7.3'	7.3'	10'	5.8'	25	10.2'	8.4'	4'	6.9'	30	19.3'	5.8'	5'	5.0'	54	8.4'	5.1'
				12'	27	8.7'	8.7'	12'	6.9'	17	12.2'	10.1'	5'	8.7'	19	24.2'	7.3'	6'	6.0'	38	10.1'	6.2'
70W T-6	40° X 40°	6,994	9,000 to 15,000	6'	194	4.4'	4.4'	6'	3.5'	126	6.1'	5.0'	2'	3.5'	219	9.7'	2.9'	3'	3.0'	275	5.0'	3.1'
				8'	109	5.8'	5.8'	8'	4.6'	71	8.1'	6.7'	3'	5.2'	97	14.5'	4.4'	4'	4.0'	155	6.7'	4.1'
				10'	70	7.3'	7.3'	10'	5.8'	45	10.2'	8.4'	4'	6.9'	55	19.3'	5.8'	5'	5.0'	99	8.4'	5.1'
				12'	49	8.7'	8.7'	12'	6.9'	32	12.2'	10.1'	5'	8.7'	35	24.2'	7.3'	6'	6.0'	69	10.1'	6.2'

Job Information **Type:**

Lightolier a Genlyte company www.lightolier.com
 631 Airport Road, Fall River, MA 02720 • (508) 679-8131 • Fax (508) 674-4710
 We reserve the right to change details of design, materials and finish.
 © 2005 Genlyte Group LLC • A0405

LIGHTOLIER®