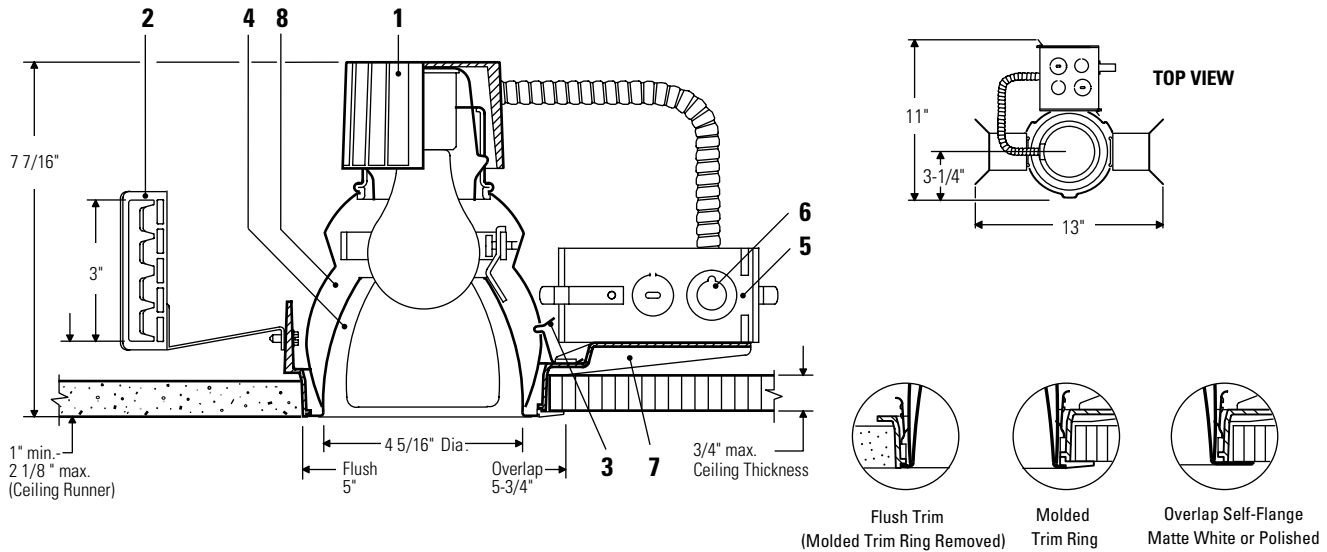




# Calculite® Incandescent Open Wall Washer **P7006**



**Ceiling Cutout: 5 1/6" Dia.**

Reflector Trims					Frame-In Kits	Lamp
	Finish	White Self-Flange	Polished Self-Flange	Flush/White Molded Trim Ring		
<b>Wall Washer</b>	Specular Clear	<b>P7006CLW</b>	<b>P7006CLP</b>	<b>P7006CL</b>	<b>P401</b> Clear <b>Q402</b> Gold	<b>A19</b> 100W
	Specular Gold	<b>Q7006GDW</b>	<b>Q7006GDP</b>	<b>Q7006GD</b>		
<b>Corner Wall Washer</b>	Specular Clear	<b>P7007CLW</b>	<b>P7007CLP</b>	<b>P7007CL</b>	<b>P401</b> Clear <b>Q402</b> Gold	<b>A19</b> 100W
	Specular Gold	<b>Q7007GDW</b>	<b>Q7007GDP</b>	<b>Q7007GD</b>		
<b>Double Wall Washer</b>	Specular Clear	<b>P7008CLW</b>	<b>P7008CLP</b>	<b>P7008CL</b>	<b>P401</b> Clear <b>Q402</b> Gold	<b>A19</b> 100W
	Specular Gold	<b>Q7008GDW</b>	<b>Q7008GDP</b>	<b>Q7008GD</b>		

## Features

- Socket Cup:** Die-cast aluminum cup effectively dissipates heat and assures lamps maintain proper optical alignment to reflector. Snaps onto reflector neck for easy tool-less installation. Contains medium base porcelain socket with nickel plated screw shell wired with No. 18 SF1 leads to J-Box.
- Mounting Bracket:** Adjusts vertically from inside of fixture. Durable 16 ga. steel construction. Use with standard 3/4" or 1 1/2" lathing channels, or 1/2" (11/16" O.D.) EMT pipe (by others), or Lightolier accessory mounting bars.
- Retaining Springs:** Precision tooled springs secure reflector to mounting frame for quick tool-less installation.
- Insert reflector:** Alzak® aluminum, 16 ga., "cut-window" reflector allows light to pass to a separately contoured outer housing reflector. 50° visual cut-off to lamp and lamp image. Insert reflector contours provide even down-lighting. Direction of wall wash can be re-orientated after installation. Attached with thumb screws for simple installation and maintenance. Reflector supplied with white molded trim ring (field paintable); or self-flanged reflector, matte white or flange finish to match reflector.
- Junction Box:** 14 ga. steel, 4" x 4" x 2" specially designed horizontal junction box allows inspection from below.
- Thermal Protector:** Meets NEC and UL requirements. Insulation must be kept 3" away from fixture sides and wiring compartments and must not be placed above fixture in a manner which will entrap heat.
- Mounting Frame:** Die-cast aluminum suitable for dry or plaster ceilings. Provides flangeless trim in plaster ceiling.

## Options & Accessories

- 18" Mounting Bars** 1950 (set of 2)
- 27" Mounting Bars** 1951 (set of 2)
- T-Bar Anchor Clips** 1956 (set of 4, for 1950 & 1951 bars)

## Options & Accessories (continued)

- Wood Joist Mtg. Bars** 7994 (set of 2)
- Existing Ceiling Clips** 7998 (set of 2)
- Step Down Transformer** 7997 see separate specification sheet
- Chicago Air Plenum** LC (add suffix to Frame-in Kit. Requires access from above ceiling)

## Electrical

UL Listed for a maximum of 8 No. 12, 75°C through branch circuit conductors, or 60°C supply conductors for end of run.

## Labels

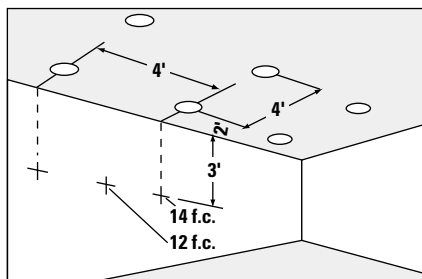
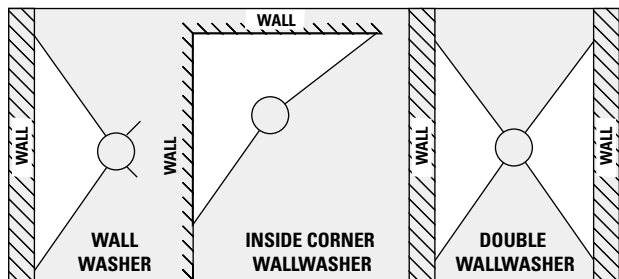
UL Listed for damp locations, I.B.E.W.

Alzak® is a registered trademark of ALCOA.

Job Information	Type:
<b>Job Name:</b>	
<b>Cat. No.:</b>	
<b>Lamp(s):</b>	
<b>Notes:</b>	

Lightolier a Genlyte Thomas Company [www.lightolier.com](http://www.lightolier.com)  
 631 Airport Road, Fall River, MA 02720 • (508) 679-8131 • Fax (508) 674-4710  
 We reserve the right to change details of design, materials and finish.  
 © 2002 Genlyte Thomas Group LLC (Lightolier Division) • A0902

**LIGHTOLIER®**



Example: with multiple clear cone units, using 100W A-19 lamps, located 2' from wall and 4' on center, (matching downlights 4' on center), the illumination on the wall 3' down from the ceiling is 14 f.c. beneath fixtures and 12 f.c. between fixtures.

## Footcandles on Wall from Multiple Units — Clear Cone, 100W A19

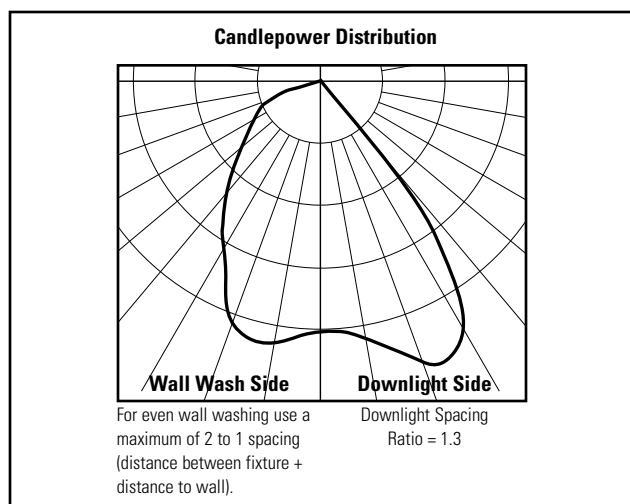
Distance from Ceiling (FT.)	Units 2 Feet From Wall			Units 3 Feet From Wall			Units 4 Feet From Wall		
	1	2	3	1	2	3	1	2	3
1	19	18	19	15	14	15	15	8	15
2	26	26	26	20	20	20	18	15	18
3	22	22	22	16	16	16	14	12	14
4	16	18	16	12	14	12	10	10	10
5	13	14	13	10	12	10	9	8	9
6	13	12	13	9	10	9	9	8	9
7	10	10	10	8	8	8	8	6	8
8	10	10	10	8	8	8	8	6	8
9	10	10	10	8	8	8	8	6	8

Distance from Ceiling (FT.)	Units 3 Feet From Wall			Units 4 Feet From Wall			Units 5 Feet From Wall			Units 6 Feet From Wall		
	1	2	3	1	2	3	1	2	3	1	2	3
1	7	10	7	7	6	7	5	4	5	5	3	3
2	13	12	13	11	8	11	9	8	9	9	6	9
3	14	14	14	12	10	12	8	8	8	8	8	8
4	13	14	13	11	8	11	8	8	8	7	8	7
5	10	14	10	10	8	10	8	8	8	6	6	6
6	9	12	9	9	6	9	7	6	7	5	6	5
7	9	12	9	9	6	9	7	6	7	5	6	5
8	9	10	9	9	6	9	7	6	7	5	6	5
9	9	10	9	9	6	9	7	6	7	5	6	5

Footcandle values are averaged and rounded off and are based on a minimum of five units.  
 Conversion factors: 75W A-19 (Clear) = F.C. x 0.7; 75W A-19 (Gold) = F.C. x 0.6; 100W A-19 (Gold) = F.C. x 0.9;

## Clear Cone, 100W A19



**Coefficients of Utilization**  
 % Effective Ceiling Cavity Reflectance

Room Cavity Ratio	% Ceiling Reflectance								
	80			50			10		
	50	30	10	50	30	10	50	30	10
1	.62	.60	.59	.58	.57	.56	.54	.53	.53
2	.58	.55	.53	.55	.53	.52	.51	.50	.49
3	.54	.51	.49	.51	.49	.48	.49	.48	.47
4	.50	.48	.46	.48	.47	.45	.47	.45	.44
5	.48	.44	.42	.46	.43	.41	.44	.42	.41
6	.44	.41	.39	.43	.40	.38	.41	.39	.39
7	.41	.38	.35	.40	.37	.35	.39	.36	.34
8	.38	.35	.32	.37	.34	.32	.36	.33	.32
9	.35	.31	.29	.34	.31	.29	.33	.31	.29
10	.32	.29	.27	.32	.29	.27	.31	.29	.27

20% Floor Cavity Reflectance

Conversion Factors:  
 75W A-19; (Clear): C.U. X 1.0. 75W (Gold): C.U. X 0.9. 100W A-19 (Gold): C.U. X 0.9

**Job Information** **Type:**

Lightolier a Genlyte Thomas Company [www.lightolier.com](http://www.lightolier.com)  
 631 Airport Road, Fall River, MA 02720 • (508) 679-8131 • Fax (508) 674-4710  
 We reserve the right to change details of design, materials and finish.  
 © 2002 Genlyte Thomas Group LLC (Lightolier Division) • A0902

**LIGHTOLIER®**