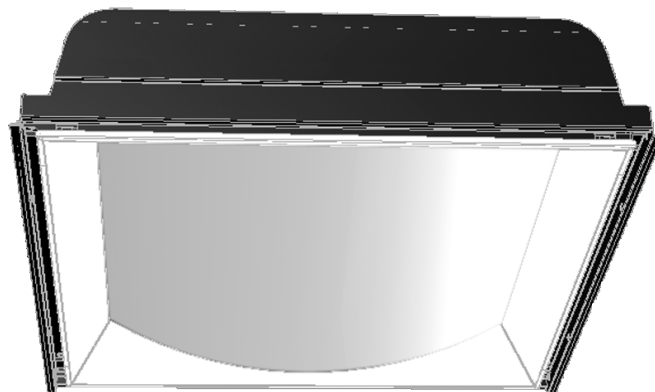


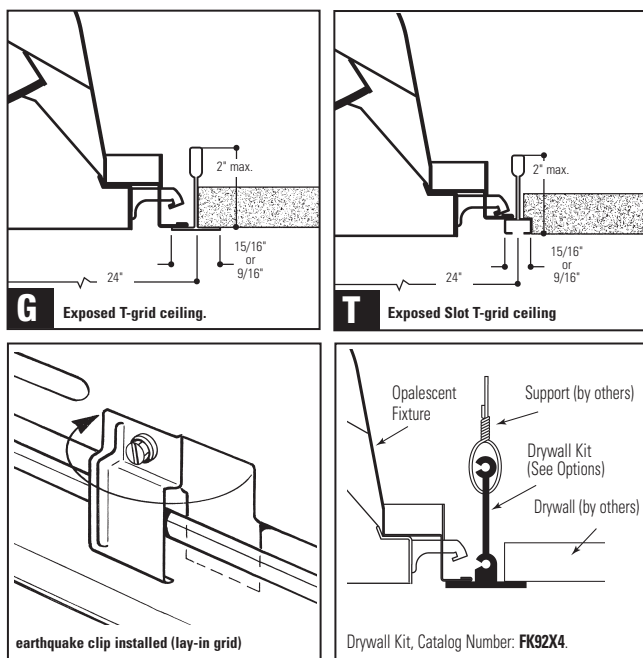
Opalescent LED OPS2GPW8802UNVL59

Features

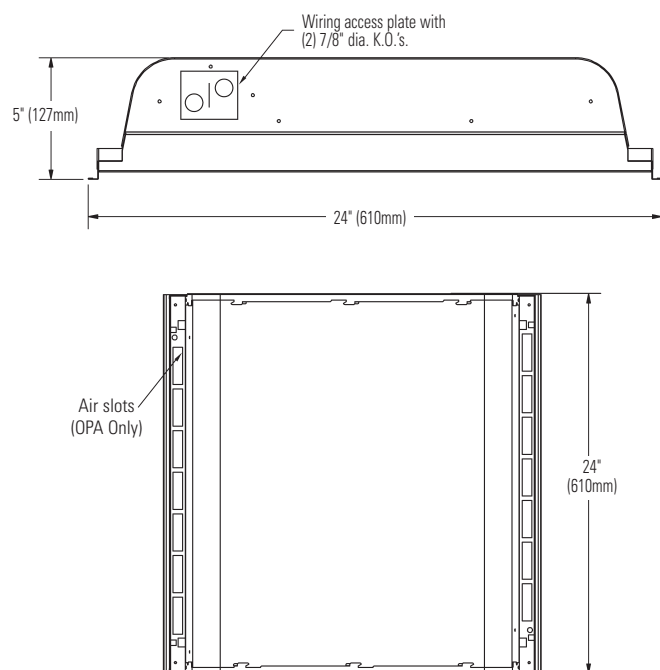
- Bold but simple 2-1/2" regressed frame with contoured lens.
- High light transmission frost white acrylic lens.
- True mitered corner lens frame.
- Field replaceable LED array and drivers accessible from below.
- Integrated thermal management system conducts heat away from LEDs and transfers it to the surrounding environment.
- Black body to dissipate heat from LEDs.
- Long life LED with 3549 lumen output.
- 5" deep body.
- Hemmed over side rails for maximum safety.
- Fixture ends turned-in for safe handling.
- Earthquake/Hold-down clips (4).
- Door jamb finished black on four sides for positive light stop.
- Spring loaded rooster head latches.
- 18 gauge steel hinges.
- Construction to meet NYC Code Requirements or Chicago Plenum is available.



Mounting Methods



Dimensions



Job Information Type:

Job Name:

Cat. No.:

Lamp(s):

Volts/Ballast:

Opalescent LED OPS2GPW8802UNVL59

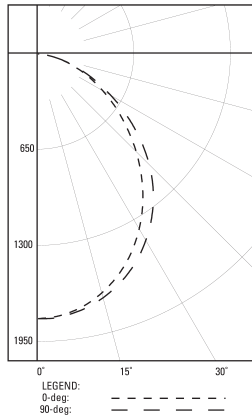
2' x 2' Recessed Luminaire, Contoured Lens Frame Troffer Static or Air Supply/Return, LED

Photometry

Model No. OPS2GPW8802UNVL59

Report Number: G2010129¹
 Catalog Number: OPS2GPW8802UNVL59
 Output lumens: 3549
 Correlated Color Temp²: 4000k
 Input Watts: 59
 Efficacy: 61.5 lm/w
 CRI: 80 minimum
 Lamp: (8) LED Boards
 Luminaire: Opalescent Recessed LED 2' x 2' fixture
 with contoured lens frame.
 CIE Type-Direct-Indirect
 Plane: 0-Deg 90-Deg
 Spacing Criteria: 1.1 1.2
 Shielding Angles: 90 90
 Plane: 0-Deg 90-Deg
 Luminous Length: 22.800 22.800

CANDELA DISTRIBUTION PLOT



CANDELA DISTRIBUTION

	0.0	45.0	90.0	LUMENS
0	1513	1513	1513	
5	1500	1502	1507	143
15	1412	1425	1441	402
25	1254	1283	1315	591
35	1039	1086	1130	679
45	790	851	895	653
55	544	597	620	527
65	329	357	360	349
75	155	163	160	171
85	28	28	27	35
90	4	3	3	

COEFFICIENTS OF UTILIZATION –
ZONAL CAVITY METHOD, EFFECTIVE
FLOOR CAVITY REFLECTANCE 0.20

RC	80	50	30	50	30	10	50	30	10
RW	70	50	30	50	30	10	50	30	10
1	110	105	102	99	96	93	95	93	91
2	101	93	87	88	83	79	84	80	77
3	92	82	75	77	72	67	75	70	66
4	85	74	65	70	63	58	67	62	57
5	78	66	58	63	56	50	61	55	50
6	73	60	51	57	50	45	55	49	44
7	67	54	46	52	45	40	51	44	39
8	63	50	42	48	41	36	47	40	35
9	59	46	38	44	37	32	43	37	32
10	55	42	35	41	34	29	40	34	29

ZONAL LUMEN SUMMARY

ZONE	LUMENS	% LAMP	% FIXT
0- 30	1136	32.0	32.0
0- 40	1815	51.2	51.1
0- 60	2995	84.4	84.4
0- 90	3549	100.0	100.0
90-180	0	0.0	0.0
0-180	3549	100.0	100.0*

*Total Efficiency

¹Tested using absolute photometry as specified in LM79: IESNA Approved Method for the Electrical and Photometric Measurements of Solid-State Lighting Products.
²Correlated Color Temperature within specs as defined in ANSI/NEMA/ANSI C78.377-2008: Specifications for the Chromaticity of Solid State Lighting Products.

Ordering Information

Explanation of Catalog Number. Example: OPS2GPW8802UNVL59

OP	Body Style: S = Static A = Air	2	Ceiling Type: G = Standard Grid T = Slot Grid	PW	880	2	UNV	L59
Opalescent Recessed Luminaire		Fixture Width		Lens: PW= Opalescent frost white lens	LED Configuration	Fixture Length	Voltage: UNV=120-277	LED Driver
OP	Standard Opalescent							
OY	For NYC Code – I.B.E.W. Manufactured							

Specifications

Materials: Chassis parts are die-formed code gauge cold rolled steel. Housing with side rails hemmed over and housing ends turned-in for safe handling.

Air Handling: (OPA only) side air passages for air supply or air return.

Finish: Chassis exterior—black baked polyester enamel.

Cavity—white baked polyester enamel minimum 95% reflectance. Phosphate undercoating.

Lens: High light transmission frost white acrylic lens.

Options/Accessories

Electrical Wiring Options: Consult factory.

Drywall Kit: Order Catalog Number: **FK92X2**. (Request Folio OA30-10 Rev. B).

Job Information Type: