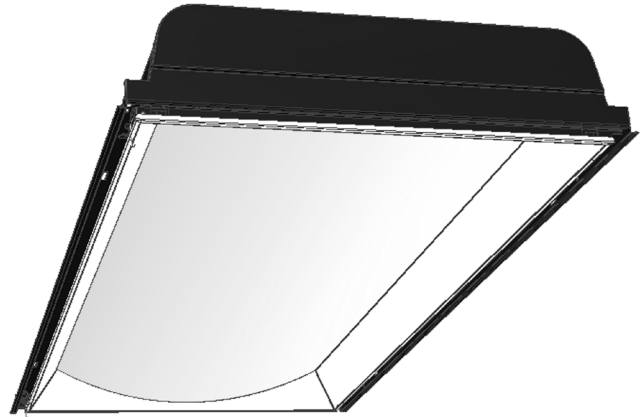
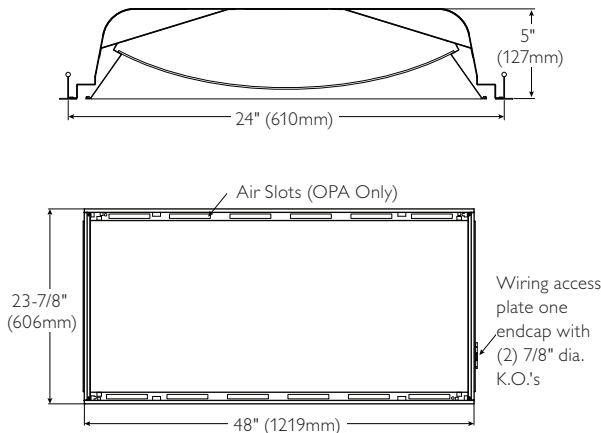


Opalescent

Recessed 2'X4' Luminaire, LED



Ordering Information

Opalescent	Body Style	Fixture Size	Ceiling Type	Lens	Lumen Category	Color Temp.	Voltage	Driver Type	Options
OP Direct-Indirect Recessed Luminaire	A = Air S = Static	24 = 2' X 4' (Nominal size)	G = Standard Grid T = Slot Grid	PW PW = High light transmission frost white acrylic lens.	27A = 2700 lumens 34A = 3400 lumens 39A = 3900 lumens 45A = 4500 lumens (Approximate delivered values. Consult IES file)	40 = 4000K Consult representative for other color temperature options. (Approximate values. Consult IES file)	U = Universal 120-277v	LAG = LED Driver Consult representative for dimming options	- Add appropriate suffix to catalog no., i.e.: (C)

Features

- Bold but simple 2-1/2" regressed frame with contoured lens.
- High light transmission frost white acrylic lens.
- Can provide 48 initial footcandles at 0.56 watts per square foot.
- Delivers 3866 lumens with just 44.9 input watts.
- Field replaceable LED array and drivers accessible from below.
- Integrated thermal management system conducts heat away from LEDs and transfers it to the surrounding environment.
- Intelligent driver technology, our LitePlane platform, is a factory calibrated system providing the customer multiple lumen outputs to balance energy savings with lighting application needs.
- High efficiency LEDs have 50,000 hour rated life at L₇₀.
- Predicted L70 lifetime is based on LED manufacturer's supplied LM-80 data and in-situ laboratory testing.
- True mitered corner lens frame.
- Door jamb finished black on four sides for positive light stop.
- Spring loaded rooster head latches.
- 18 gauge steel hinges.
- 5" deep body.
- Black body to dissipate heat from LEDs.
- Earthquake/Hold-down clips.

- Hemmed over side rails for maximum safety.
- Construction to meet NYC Code Requirements or Chicago Plenum is available.
- Not for continuous row mounting.
- Five-year warranty on luminaire, LED boards and driver.

Job Information	Type:
Job Name:	
Cat. No.:	
Notes:	

PHILIPS
LIGHTOLIER

Opalescent

Recessed 2'X4' Luminaire, LED

Specifications

Materials: Chassis parts are die-formed code gauge cold rolled steel. Housing with side rails hemmed over and housing ends turned-in for safe handling.

Air Handling: (OPA only) side air passages for air supply or air return.

Finish: Chassis exterior—black baked polyester enamel.

Cavity—white baked polyester enamel minimum 95% reflectance. Rust preventative undercoating.

Lens: PW—High light transmission frost white acrylic lens.

Electrical: LED boards and drivers are RoHS (Restriction of Hazardous Substances) compliant. For dimming options consult factory.

Labels: I.B.E.W. UL and ULc Listed.

Options/Accessories

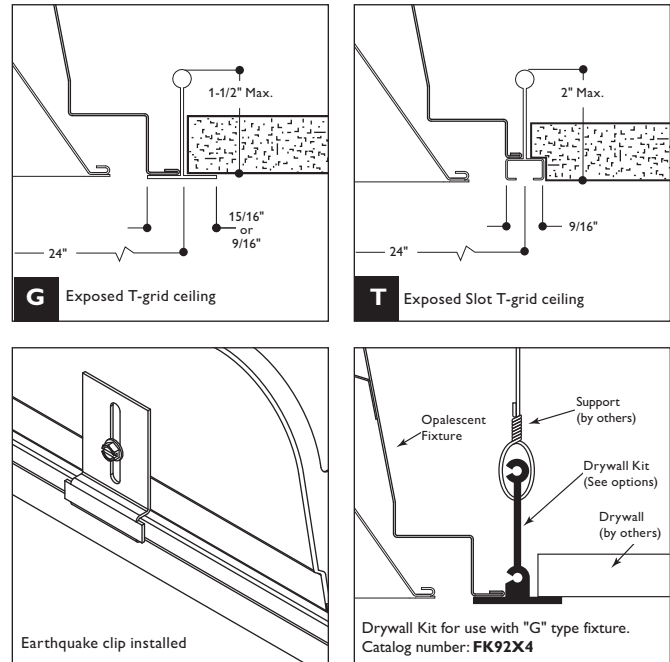
Electrical Wiring Options: Consult factory.

Drywall Kit: Order Catalog Number: **FK92X4**.

Fusing: Internal fast blow fusing: Suffix: **A**.
Internal slow blow fusing: Suffix: **C**.

Chicago Plenum: Suffix: **C**.

Mounting Methods



Job Information	Type:
-----------------	-------

PHILIPS
LIGHTOLIER

Opalescent

Recessed 2'X4' Luminaire, LED

Photometry

Report Number¹: G2011245
 Catalog Number: OPS24GPW39A40ULAG
 Delivered Lumens: 3866
 Correlated Color Temp.²: 3965K
 Input Watts: 44.9
 Efficacy: 86.1 lm/w
 CRI: 84.8
 Lamp: LED
 Luminaire: Opalescent Recessed LED 2' x 4' fixture with contoured lens frame.
 CIE Type: Direct/Indirect
 Plane: 0-Deg. 90-Deg.
 Shielding Angles: 90 90
 Plane: 0-Deg. 90-Deg.
 Luminous Length: 45.960 21.720

Candela Distribution

Vertical Angle	Horizontal Angle			Zonal Lumens
	0	45	90	
0	1585	1585	1585	
5	1567	1575	1584	150
15	1485	1501	1517	424
25	1333	1358	1385	626
35	1118	1159	1200	726
45	861	921	969	708
55	601	662	698	587
65	369	413	413	399
75	182	198	182	202
85	41	39	33	45
90	0	0	0	

¹ Tested using absolute photometry as specified in LM79: IESNA Approved Method for the Electrical and Photometric Measurements of Solid-State Lighting Products.

² Correlated Color Temperature within specs as defined in ANSI_NEMA_ANSLG C78.377-2008: Specifications for the Chromaticity of Solid State Lighting Products.

Coefficients of Utilization

Ceiling Wall	80%			50%			30%		
	70	50	30	50	30	10	50	30	10
RC	Zonal Cavity Method								
RW	Effective Floor Reflectance = 20%								
1	110	105	101	99	96	93	95	92	90
2	100	93	86	87	82	78	84	80	76
3	92	82	74	77	71	66	75	69	65
4	84	73	64	69	62	57	67	61	56
5	78	65	57	62	55	50	60	54	49
6	72	59	50	56	49	44	55	48	43
7	67	54	45	51	44	39	50	44	39
8	62	49	41	47	40	35	46	39	35
9	58	45	37	44	37	32	42	36	31
10	55	42	34	40	34	29	39	33	29

Zonal Lumen Summary*

Zone	Lumens	% Lamp	% Fixt.
0-30	1200	31.0	31.0
0-40	1926	49.8	49.8
0-60	3220	83.3	83.3
0-90	3866	100.0	100.0
0-180	3866	100.0	100.0

*Total Efficiency

Average Luminance data in candela / sq. meter

Angle	0°	45°	90°
45	1890.	2022.	2127.
55	1626.	1791.	1889.
65	1355.	1517.	1517.
75	1091.	1187.	1091.
85	730.	695.	588.

Additional Ordering Information

Catalog Number	Delivered Lumens	Input Watts	Lumens per Watt	Average initial 8'X8' footcandles	8'X8' Watts per sq. foot	Average initial 8'X10' footcandles	8'X10' Watts per sq. foot
OPS24GPW27A40ULAG	2740	30.1	91.0	42.8	0.47	34.3	0.38
OPS24GPW34A40ULAG	3423	38.5	88.9	53.5	0.60	42.8	0.48
OPS24GPW39A40ULAG	3866	44.9	86.1	60.4	0.70	48.3	0.56
OPS24GPW45A40ULAG	4480	52.9	84.7	70.0	0.83	56.0	0.66



Philips Lightolier
 e: lol.webmaster@philips.com
 t: (508) 679-8131, Technical info. (978) 657-7600
 w: www.lightolier.com

OPS24GPW March 7, 2012

Specifications are subject to change without notice.
 © Koninklijke Philips Electronics N.V., 2012. All rights reserved.

Job Information Type: