

Ordering Information

Family	Housing Height	Indirect	Direct	Lower Shielding	Mounting	Length	Housing	Voltage	Finish	Options
MS	2	N		P	GC		U			
MicroSquare	2 = 2" nom	N = None	S = T5 Standard H = T5 HO	P = Internal Parabolic Louver	GC = Grid	4 = 4'	U = Individual Unit	1 = 120V 2 = 277V U = 120V - 227V	W = White	D = Fluor. Dim. ¹ E = EM Pack ¹

¹ Voltage 1 or 2 must be selected for Dimming and EM Pack

Features

- Housing:** Single piece of high purity extruded aluminum, a portion from recycled material.
- Lamps:** One F28T5 or F54T5HO as specified. By others.
- Reflector:** Die-formed semi-specular aluminum.
- Shielding:** Semi-specular aluminum parabolic louver. Blades are on 1" centers.
- Finish:** Powder-coated, baked enamel white.
- Electronic Ballast:** Meets ANSI starting, end-of-life protection and sound rating specifications. Low THD.
- T-Bar Clips:** Mounting clips adjust vertically to accommodate different T-bar heights.
- Tie Wire Bracket:** Two brackets are mounted to the housing and have provisions for attaching tie wires to the fixture and the building structure.
- Electrical Access Plate:** Removable access plate allows mounting two conduit fittings in the top of the housing to power the fixture.

Electrical Options

Emergency Battery Pack: 90 minute operation, 700 lumens for 54W and 520 lumens for 28W.

Dimming: For 54W T5, Advance Mark X standard (no additional wires required); use compatible dimmer. For 28W T5, ULT Super-Dim standard (2 additional wires included); use compatible dimmer. Ballast not to exceed 1.25"(3.18cm) wide by 1.20" (3.05cm) high.

Labels

UL, cUL and I.B.E.W.

Mounting

Fixtures are installed in suspended ceilings. The fixture lays in a slot constructed of Slot-T or 15/16" T-bar. The opening of the slot depends on the width of the T-bar but the T-bar is on 3" and 48" centers. Clips mount the fixture to the T-bar and has provisions to attach ceiling grid tie wires.

Job Information

Type:

Job Name:

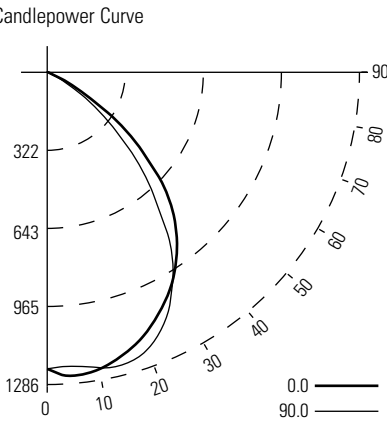
Cat. No.:

Lamp(s):

Notes:

Performance

Candlepower Curve



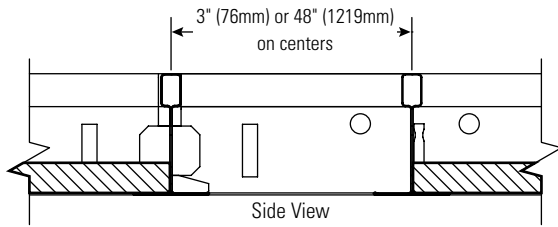
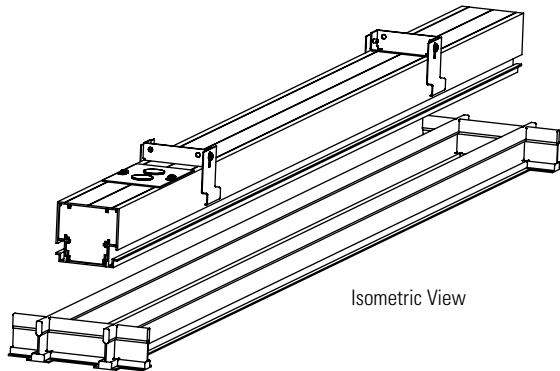
Zone Degree ↓	Candlepower				
	0	22	45	67	90
90	0	0	0	0	0
85	4	4	4	3	3
75	7	11	12	6	4
65	120	123	109	113	70
55	405	435	344	294	266
45	726	769	704	613	565
35	949	1019	1019	938	924
25	1107	1172	1212	1182	1166
15	1220	1256	1286	1276	1270
5	1273	1276	1254	1221	1209
0	1220	1220	1220	1220	1220

Room Cavity Ratio	Coefficients Of Utilization								
	% Effective Ceiling Cavity Reflectance			% Wall Reflectance			% Floor Cavity Reflectance		
	80	70	50	50	30	10	50	30	10
0	62	62	62	61	61	61	58	58	58
1	56	54	52	55	53	51	52	51	50
2	49	46	43	48	45	43	46	44	42
3	43	40	36	43	39	36	41	38	35
4	39	34	31	38	34	31	37	33	30
5	34	30	27	34	30	26	33	29	26
6	31	26	23	30	26	23	29	26	23
7	28	23	20	27	23	20	27	23	20
8	25	21	18	25	21	18	24	20	18
9	23	19	16	23	19	16	22	18	16
10	21	17	14	21	17	14	20	17	14

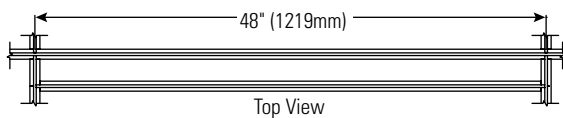
Report No.: LLI110804C.ies
 Lamps: Philips 1-F54T5/835/HO
 Lumens: 5000
 Efficiency: 52.4%
 Cat. No.: MS2NHPPC4UUW
 25°C Rating

Distribution			
Zone	Lumens	% Lamp	% Luminaire
0-90	2622.17	52.4	100
90-180	0	0	0
0-180	2622.17	52.4	100

Fixture Mounting Diagrams



Fixture installs in a T-bar opening where the T-bar "bulbs" are on 3" (76mm) or 48" (1219mm) on centers.



Job Information	Type:
-----------------	-------