

Ordering Information

Family	Housing Height	Indirect	Direct	Lower Shielding	Mounting	Length	Housing	Voltage	Finish	Options
MS	2	N		L			J			
MicroSquare	2 = 2" nom	N = None	S = T5 Standard H = T5 HO	L = Snap-in Lens	PC = Pendant Cable PS = Pendant Stem	4 = 4' 8 = 8'	J = Joiner Module	1 = 120V 2 = 277V U = 120V - 227V	A = Aluminum W = White	4 = 4 Thru Wires D = Fluor. Dim.¹ E = EM Pack¹ T = Tandem Switch²

¹ Voltage 1 or 2 must be selected for Dimming and EM Pack. EM Pack available in 8' fixtures only.

² Tandem switch is only available in 8' length fixtures

Features

- Housing:** Single piece of high purity extruded aluminum, a portion from recycled material.
- Lamps:** One F28T5 or F54T5HO as specified. By others.
- Reflector:** Die-formed semi-specular aluminum.
- Shielding:** Extruded frosted acrylic lens.
- Alignment Mechanism:** The housing and the end cap each have a draw tight mechanism that creates a hairline joint along and at the ends of the run. To operate the mechanism, the installer tightens two screws.
- Finish:** Powder-coated, baked enamel, white or aluminum, as specified. Custom colors available, consult factory.

Electrical

Electronic Ballast: Meets ANSI starting, end-of-life protection and sound rating specifications. Low THD.

Emergency Battery Pack: 90 minute operation, 700 lumens for 54W and 520 lumens for 28W. Available in 8' fixtures only.

Dimming: For 54W T5, Advance Mark X standard (no additional wires required); use compatible dimmer. Ballast not to exceed 1.25"(3.18cm) wide by 1.20"(3.05cm) high.

Connections: Pre-wired with 18 gauge wires and polarized cannon plug connectors for simultaneous mechanical/electrical connection.

Labels

UL, cUL and I.B.E.W.

Mounting

Cable Suspension (not shown): All mounting is on 48"(121.92cm) and 96"(243.84cm) centers. 4-1/2"(11.43cm) diameter flat canopy finished white enamel, 1/16"(0.16cm) diameter stainless steel aircraft cable adjustable up to 36"(91.44cm) without cutting.

Stem Mounting (not shown): 4-1/2"(11.43cm) diameter flat canopy, 1/4"(0.64cm) IP 1/2" (1.27cm) OD stem. All components have a white finish.

Ordering Instructions

Individual Fixtures:

- Order number of MODULES required.
- Order one POWER FEED END SET per MODULE.

Continuous Rows:

- Determine run length.
- Order the appropriate number of MODULES for the complete run.
- Order one POWER FEED END SET per run.
- Order one CABLE ASSEMBLY per MODULE minus one per run.

Job Information

Type:

Job Name:

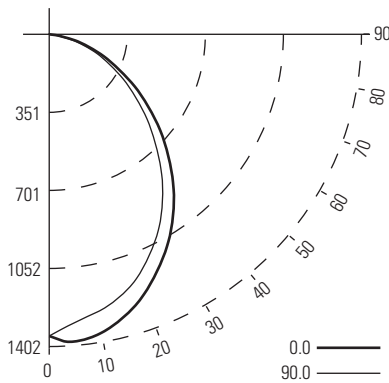
Cat. No.:

Lamp(s):

Notes:

Performance

Candlepower Curve



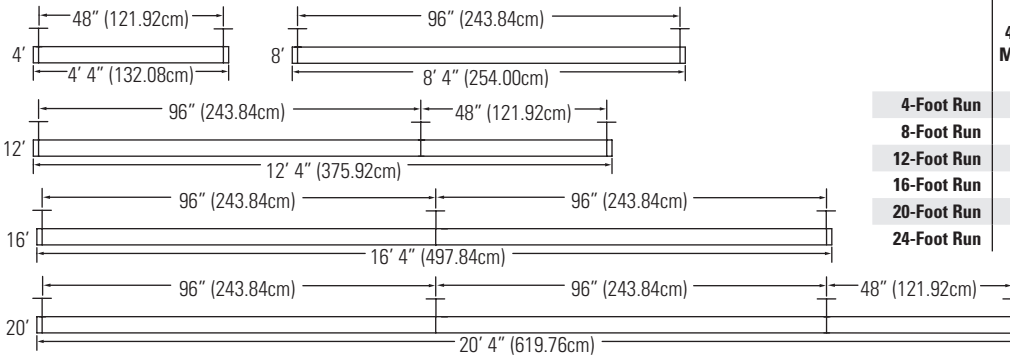
Zone → Degree ↓	Candlepower				
	0	22	45	67	90
90	0	0	0	0	0
85	56	56	53	50	48
75	184	183	177	167	162
65	352	351	334	312	303
55	550	550	527	492	480
45	771	772	744	702	685
35	991	993	966	925	909
25	1175	1178	1155	1113	1096
15	1325	1328	1301	1257	1240
5	1402	1400	1362	1313	1295
0	1350	1350	1350	1350	1350

		Coefficients Of Utilization									
		% Effective Ceiling Cavity Reflectance			% Wall Reflectance						
		80			70			50			
Room Cavity Ratio			50			30			10		
	0	77	77	77	75	75	75	72	72	72	
	1	66	63	60	65	62	59	62	60	57	
	2	57	52	48	56	51	48	54	50	47	
	3	50	44	40	49	44	39	47	42	39	
	4	44	38	33	43	37	33	41	36	32	
	5	39	33	28	38	32	28	37	32	28	
	6	35	29	24	34	28	24	33	28	24	
	7	31	25	21	31	25	21	30	25	21	
	8	28	23	19	28	22	19	27	22	18	
	9	26	20	17	25	20	17	25	20	16	
10	24	18	15	23	18	15	23	18	15		

Report No.: LLI110804B.ies
 Lamps: Philips 1-F54T5/835/HO
 Lumens: 5000
 Efficiency: 64.9%
 Cat. No.: MS2NHLPC4UUW
 25°C Rating

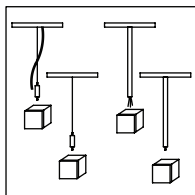
20% Floor Cavity Reflectance			
Distribution			
Zone	Lumens	% Lamp	% Luminaire
0-90	3242.74	64.9	100
90-180	0	0	0
0-180	3242.74	64.9	100

Fixture Dimension and Mounting

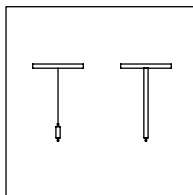


	4-Foot Module	8-Foot Module	End Set	Intermediate Suspension Assembly
4-Foot Run	1		1	
8-Foot Run		1	1	
12-Foot Run	1	1	1	1
16-Foot Run		2	1	1
20-Foot Run	1	2	1	2
24-Foot Run		3	1	2

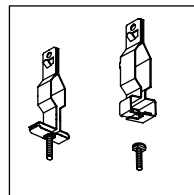
Mounting Accessories



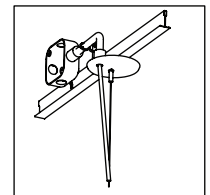
Power Feed End Set
 Standard Cable or Stem Length is 36" (91.44cm)
Cable with Aluminum Endset:
 With White Power Cord: **MSQ2EC36A**
 With 4-Wire White Power Cord*: **MSQ2EC36AX4**
 With 5-Wire White Power Cord**: **MSQ2EC36AX5**
Cable with White Endset:
 With White Power Cord: **MSQ2EC36W**
 With 4-Wire White Power Cord*: **MSQ2EC36WX4**
 With 5-Wire White Power Cord**: **MSQ2EC36WX5**
Stem:
 Aluminum End Caps and Stems: **MSQ2ES36A**
 White End Caps and Stems: **MSQ2ES36W**
 Aluminum End Caps and Stems with 4th Fluorescent Wire*: **MSQ2ES36AX4**
 Aluminum End Caps and Stems with 5th Fluorescent Wire**: **MSQ2ES36AX5**
 White End Caps and Stems with 4th Fluorescent Wire*: **MSQ2ES36WX4**
 White End Caps and Stems with 5th Fluorescent Wire**: **MSQ2ES36WX5**



Intermediate Cable or Stem Suspension Assembly
 Standard Cable or Stem Length is 36" (91.44cm)
Cable:
 Single Cable: **MSQC36**
Stem:
 Single White Stem: **MSQS36W**



Ceiling Grid Kit (CGK) (Cable Only)
 Includes both Standard 1" (2.54cm) Tee Bar Clip & Slot Tee Clip



Ceiling Grid Kit, Power (CGKP) (Cable Only)
 Includes both Standard 1" (2.54cm) Tee Bar Clip & Slot Tee Clip

*Use for emergency battery packs ** Use for T5 standard output dimming

Job Information	Type:
-----------------	-------