

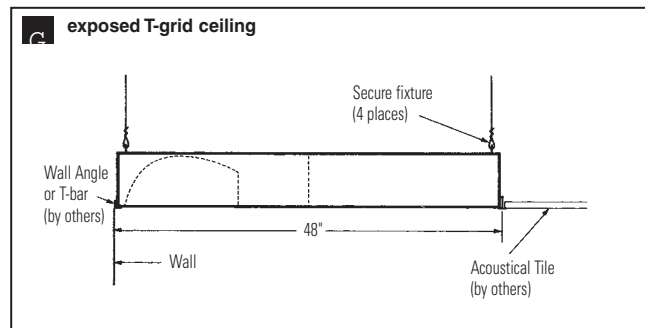
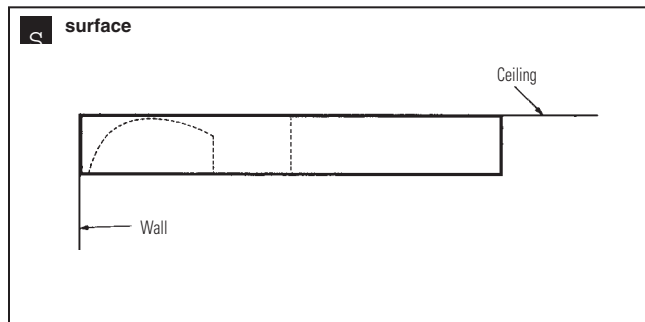
Features

- Four lighting functions with integral ambient, reading, examination and nurses night light.
- Precise light control for glare free patient environment.
- Installs as a one-piece unit.
- Recessed or surface mounted to ceiling which eliminates damage to fixture from hospital equipment attached to bed.
- 6-7/8" deep.
- All lamps are enclosed.
- All twin tube T5 lamps are accessible for relamping without tools.
- All ballasts accessible thru louver compartment.
- Optional low voltage electronic sequential switch mounted in fixture for ambient and reading light controlled with pillow speaker (optional by others).
- Optional 50 watt or LED night light.
- Meets NYC Code requirements. Chicago Plenum requirements available.



Style 1 shown

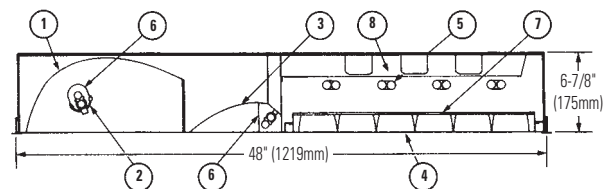
Mounting Methods



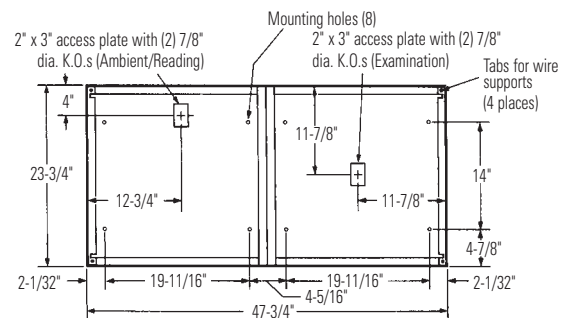
Now available in 3 styles

- (Reflectors always semi-specular)*
- Traditional with specular louver (**PS** option)
(For multiple patient room)
- White louver and horizontal surfaces to blend with ceiling (**FF** option)
(Reflectors always semi-specular)
- All components white (**AW** option)
(For single patient room)

Dimensions



1. Reading light with low iridescence anodized semi-specular aluminum reflector.
2. Extruded aluminum lamp baffle.
3. Ambient light with low iridescence anodized secular aluminum reflector.
4. Examination light with specular 36 cell aluminum louver with virgin acrylic overlay (illustrated).
5. Twin tube T5 lamps (6).
6. Clear acrylic lens.
7. Prismatic virgin acrylic overlay.
8. Ballast compartment accessible by opening louver and reflector.



Job Information

Type:

Job Name:

Cat. No.:

Lamp(s):

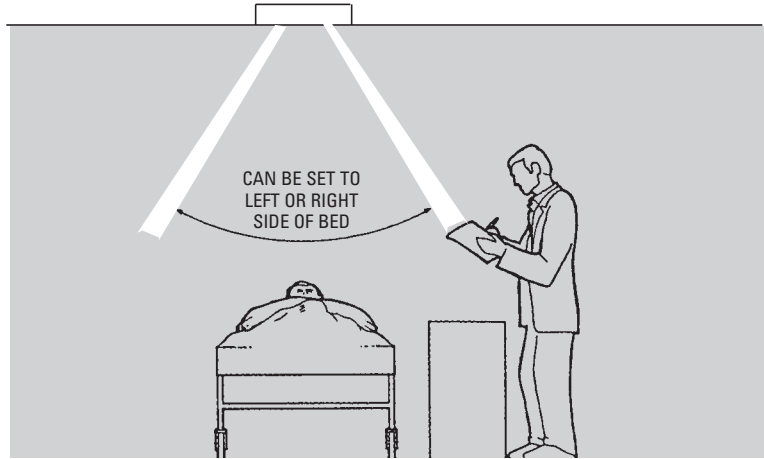
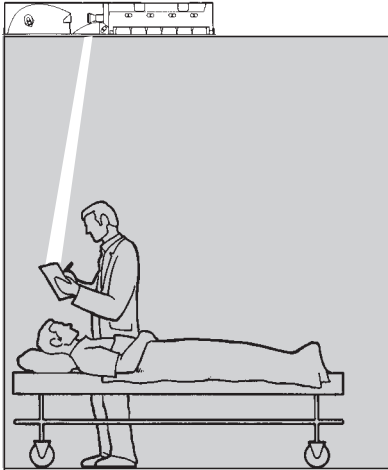
Volts/Ballast:

Lightolier a Genlyte company www.lightolier.com
 Technical Information: (978) 657-7600 • Fax (978) 658-0595
 631 Airport Road, Fall River, MA 02720 • (508) 679-8131 • Fax (508) 674-4710
 We reserve the right to change details of design, materials and finish.
 © 2007 a Genlyte company **Section 8/Folio R40-11 Rev. B**

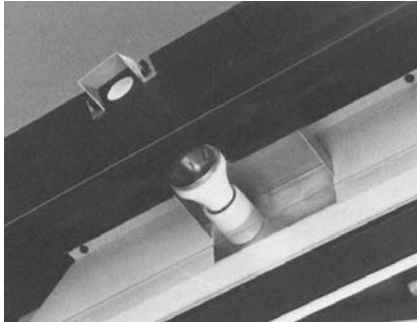


Nurse's Night Light (Optional NL or LD)

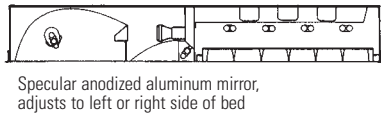
Lights night stand between beds.
Field adjustable for either right or left side of patient's bed.
No glare to any patient.
Wired for independent switching.



Options



120V medium base narrow spot, 50W reflector lamp



Specular anodized aluminum mirror, adjusts to left or right side of bed

Nurse's night light.. Suffix: NL (Lamp included)

Night Light



Night Light: 120V, 3 watt, cool white LED (50,000 hours life) (supplied with fixture). Suffix: **LD**

Sequential Switch. Suffix: **SW**

MD*4's optional low voltage (1-3 volts) sequential switch mounted in the fixture is listed in compliance with UL 544 for medical and dental equipment. Two red wires coming from the fixture can be wired to a wall receptacle (by others) for use with that manufacturer's pillow speaker. The pillow speaker is used to control the television, call the nurse and control the lighting. To control the lighting it should be specified to have a normally open contact switch.

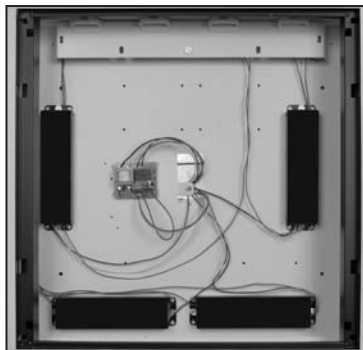
Pressing this switch on the pillow speaker the first time, turns the ambient light on; pressed a second time, turns the reading light on and the ambient light off; pressed a third time, turns both the ambient and reading lights on; pressed a fourth time turns both lights off. Pressing the button again repeats the cycle.

Should the patient's bed be rolled away from the wall, the pillow speaker will simply pull free from the wall receptacle avoiding any damage.

TAMPER RESISTANT/GERM SHIELD

Germ Shield: Ideal for psychiatric wards and germ free environments. Fits lay-in grid ceiling systems with 15/16" maximum ceiling tee face. The heavy duty welded extruded aluminum frame with clear 1/8" thick polycarbonate lens is fixture to ceiling system sealed with a heavy duty gasket. Request Folio R40-15 REV. A.

Pillow speaker (by others)



Ballast Compartment accessible by opening Louver and Reflector

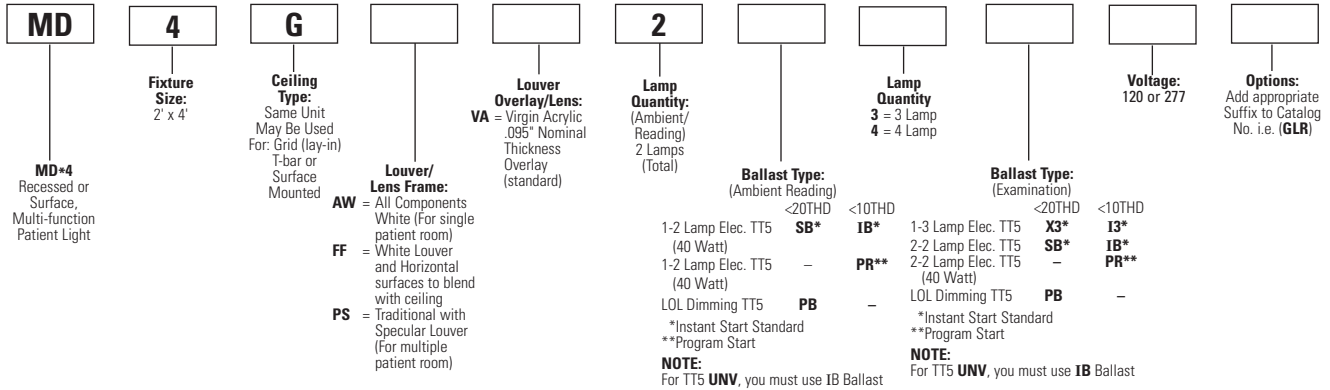


Tamper Resistant/Germ Shield



ORDERING INFORMATION

Explanation of Catalog Number. Example: MD4GPSVA2SB4SB120SW



Options/Accessories

Access Plates: Top wiring access plate is shipped with fixture as standard. When access plates are required in advance for wiring convenience, specify separately. Catalog Number: **ACP**.

Drywall Kit or Plaster Ceiling: Order Catalog Number: **FK92X4**. Request Folio **OA30-10 Rev. A**.

Electronic Sequential Switch (Low Voltage): Switch factory mounted in fixture for ambient and reading light convenience (controlled by pillow switch, by others). Suffix: **SW**.

Nurses Night Light: 120 volt medium base, narrow spot, 50W reflector lamp with specular anodized mirror, field adjustable to right or left side of patient's bed (Lamp included). Suffix: **NL**.

Night Light: 120 volt, 3 watt, cool white LED (50,000 hours life). Suffix: **LD**.

Fusing: Internal fast-blow fusing. Suffix: **GLR**.
Internal slow-blow fusing. Suffix: **GMF**.

Radio Interference Filter: To order one RIF per fixture; Suffix: **R**. To order one RIF per ballast; Suffix: **B**.

Electrical/Wiring Options: Consult factory.

Specifications:

Materials: Chassis parts are die-formed 20 gauge steel.

Louver (examination light) – Pre-anodized aluminum Coilzak® or equal.

Reading light – Extruded aluminum lamp baffle with clear extruded acrylic shields and is removable without tools.

Ambient light – Clear acrylic lens that rotates open for easy relamping.

Reflectors (Ambient and Reading Lights): Low iridescence specular pre-anodized aluminum standard.

Finish: Cavity (Examination Light) – Powder coated flat white or black polyester enamel, 89% reflectivity. Five stage rust prevention undercoating process. **Chassis exterior** – post painted white baked polyester powder.

Louver (examination light) **PS** = low iridescence specular pre-anodized aluminum. Comes with a virgin acrylic overlay **FF** = flat white baked polyester powder louver. **AW** = flat white baked polyester powder louver. **VA** = .095" nominal thickness prismatic virgin acrylic overlay.

Specifications (continued):

Electrical: Rapid start HPF, SB (Biax type) thermally protected class "P" ballast C.B.M. certified by E.T.L. If K.O. is within 3" of ballast, use wire suitable for at least 90°.

Labels: I.B.E.W. UL and ULc Listed.

This product may have a mercury containing lamp. Manage in accord with Disposal Laws. See: www.lamprecycle.org

Job Information Type:

Lightolier a Genlyte company www.lightolier.com
Technical Information: (978) 657-7600 • Fax (978) 658-0595
631 Airport Road, Fall River, MA 02720 • (508) 679-8131 • Fax (508) 674-4710
We reserve the right to change details of design, materials and finish.
© 2007 a Genlyte company **Section 8/Folio R40-11 Rev. B**

LIGHTOLIER®