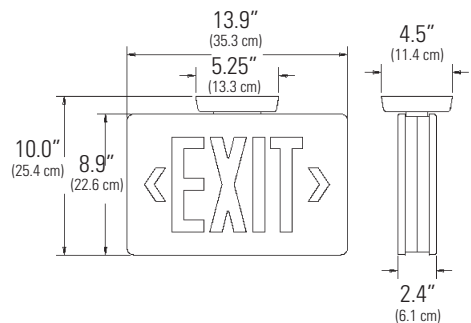




The LWL Series is a harsh environment LED Exit suitable for use in wet or damp location areas. It offers rugged construction along with appealing aesthetics. High performance electronics ensure long lasting reliability even in the most severe environments.



Complete Fixture consists of base exit.

How to Specify:



SERIES

LWL = LWL Series Wet/Damp Location LED Exits



BATTERY

N = Nickel Cadmium
A = AC Only



FACE OPTIONS

1 = Single
U = Universal
Single/Double Face



LETTER COLOR

R = Red
G = Green



STENCIL FACE/ HOUSING COLOR

W = White Housing and White Stencil
B = Black Housing and Black Stencil
G = Gray Housing and Gray Stencil
WA = White Housing and Brushed Aluminum Stencil
BA = Black Housing and Brushed Aluminum Stencil
GA = Gray Housing and Brushed Aluminum Stencil

Features

- 1. Illumination:** Illumination of the exit face is accomplished with long lasting, high output Light Emitting Diodes (LEDs). Hot spots and striations are eliminated by the internal light chamber, which is specially designed around the high performance LED array.
- 2. Housing:** Constructed of die cast aluminum with premium impact-resistant injection molded polycarbonate covers. Housing is powder coated and back cover is molded in color to match. Front cover is clear. Stencil is stamped aluminum with field selectable chevrons and is contained inside the fully gasketed housing for corrosion protection. Universal knockouts on backplate allow wall mounting directly to standard junction boxes. Die cast aluminum canopy is provided for top/side mounting and is powder coated to match housing.
- 3. Electronics:** AC Only or Emergency Operation. 120/277 dual voltage input. Emergency Operation version utilizes solid-state circuitry, and it's charging system is complete with low voltage disconnect, AC lockout, brownout protection, AC indicator lamp and test switch.
- 4. Battery:** Maintenance free, sealed nickel cadmium battery has an estimated service life of 10 years, and an operating temperature range of -49°F (-45°C) to 113°F (45°C).
- 5. Warranty:** Electronics: 5 years; Battery: 5 years full, 5 years pro-rata

Code Compliance

UL 924 listed for wet/damp locations (-45°C to 45°C)
National Electrical Code (NEC), NFPA70 and NFPA101 life safety codes; and OSHA safety code illumination standards.

Options

- BF = Buzzer/Flasher (Emergency units only)
- BZ = DC Buzzer
- EX = Special Input Transformer (consult factory)
- FA = 24 VDC Fire Alarm Interface
- FL = Emergency Flasher (Emergency units only)
- SD = Self-Diagnostics (Availability pending. Consult factory.)
- SW = Special Wording (Consult factory)
- PM = Knock-out only for pendant mounting. Pendant kit must be ordered separately.
- TPKITB = Pendant Kit w/ 12" Stem, Black (Consult factory for longer lengths)
- TPKITW = Pendant Kit w/ 12" Stem, White (Consult factory for longer lengths)
- 2CKT1 = 120 VAC Two Circuit
- 2CKT2 = 277 VAC Two Circuit

Accessories

- T15TPTOOL = Tamperproof Screwdriver
- LTREMOTE = Remote Laser Test Device

| Job Information | Type: |
|------------------|-------|
| Job Name: | |
| Cat. No.: | |
| Lamp(s): | |
| Notes: | |

Lightolier a Genlyte Thomas Company www.lightolier.com
631 Airport Road, Fall River, MA 02720 • (508) 679-8131 • Fax (508) 674-4710
We reserve the right to change details of design, materials and finish.
© 2004 Genlyte Thomas Group LLC (Lightolier Division) • A1004

LIGHTOLIER®