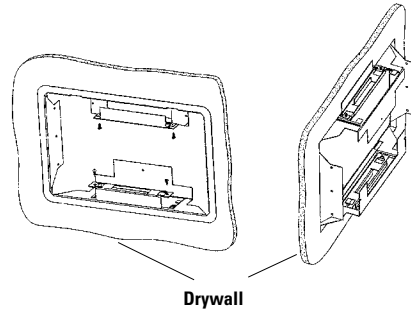
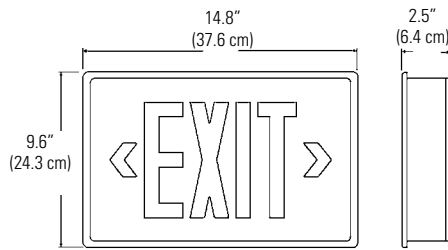


The LR Series is a fully recessed die-cast aluminum exit sign. The LR Series is ideal for areas where unobtrusive emergency egress lighting is desired.

Front and Side Views of Installed Sign



Wall cutout: 9.12" x 13.75"

Complete Fixture consists of base exit sign. Select options and accessories below.

How to Specify:



SERIES

LR = Fully Recessed Die-Cast Aluminum LED Exit



BATTERY

N = Nickel Cadmium
A = AC Only



STENCIL FACES

1 = Single
2 = Double



LETTER COLOR

R = Red
G = Green



STENCIL FACE/ HOUSING COLOR

A = Natural Brushed Aluminum Face w/Black Housing
B = Black Stencil Face w/Black Housing
W = White Stencil Face w/White Housing
WA = Natural Brushed Aluminum Face w/White Housing

Features

- 1. Illumination:** Illumination is accomplished with long lasting, high output Light Emitting Diodes (LEDs). LEDs and support electronics have an expected life of 25 years.
- 2. Housing:** Constructed of die-cast aluminum with NFPA-type field selectable chevrons. Housing and stencil face castings are available with durable epoxy-based powder coat paint finishes. Includes 20 gauge galvanized steel mounting frame for fully recessed drywall installations. The outer trim flange is painted white or black to match the exit stencil or wall finish. Its slim 2.5" recessed depth allows mounting flexibility in shallow aluminum stud wall systems, as well as standard wood stud/sheetrock applications.
- 3. Electronics:** 120/277 VAC dual voltage input with surge-protected, solid-state circuitry. Charging system is complete with low voltage disconnect, AC lockout, brownout protection, AC indicator lamp and test switch.
- 4. Battery:** Maintenance free, sealed nickel cadmium battery has an estimated service life of 12 years, and an operating temperature range of 20°F (-7°C) to 95°F (35°C).
- 5. Input Power Requirements:** AC Only - Red: 3.32 W; Green: 4.11 W
Emergency Operation - Red: 4.39 W; Green: 3.52 W
- 6. Warranty:** Electronics: 3 years, Battery: 5 year full, 5 years pro-rata

Options

- 2CKT1** = 120 VAC Two Circuit
 - 2CKT2** = 277 VAC Two Circuit
 - BF** = Buzzer/Flasher (Emergency units only)
 - BZ** = Buzzer (Emergency units only)
 - DC6** = 6VDC Remote Emergency Power
 - DC12** = 12VDC Remote Emergency Power
 - EX** = Special Input Transformer (Specify voltage & frequency)
 - FA** = 24 VDC Fire Alarm Interface
 - FL** = Emergency Flasher
 - LCR** = Low Level Matching Exit
 - TP** = Tamperproof Screws (Requires T15TPTOOL)
 - VRS** = Vandal Resistant Lens with Tamperproof Hardware
- Multiple option configurations may void UL listing. Consult factory for specifics.

Accessories

- T15TPTOOL** = Tamperproof Screwdriver

Code Compliance

UL 924 listed.

Job Information	Type:
Job Name:	
Cat. No.:	
Lamp(s):	
Notes:	

631 Airport Road, Fall River, MA 02720 • (508) 679-8131 • Fax (508) 674-4710
We reserve the right to change details of design, materials and finish.
www.lightolier.com © 2009 Philips Group • E0709