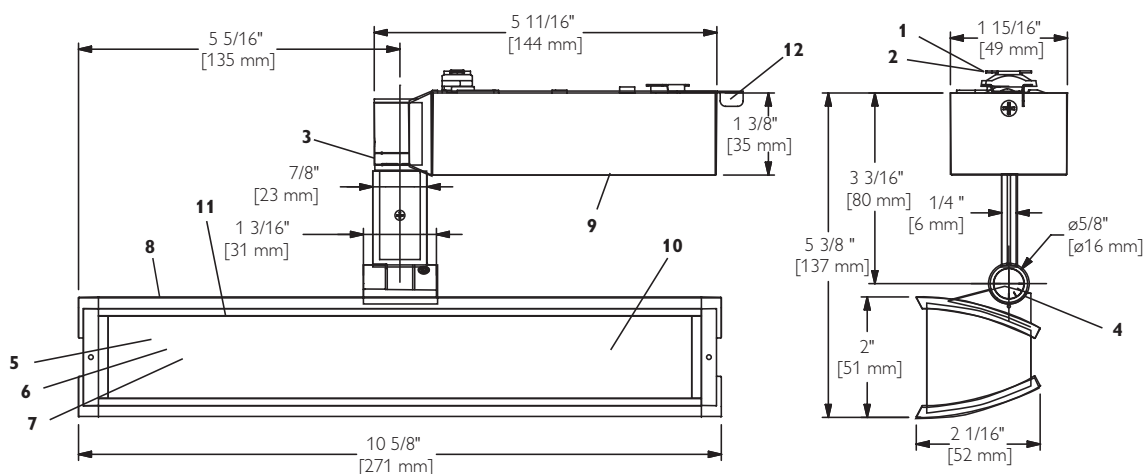


## Lytespan Alcyon LED Flood



### Ordering information

Catalog no.	Finish	CCT	Mounting	Source Life
LLF27WH	White	2700K	For use with Lytespan Radius, Basic and Advent Track. For monopoint applications refer to Spec Sheet 6171 and 6172.	50,000 hours based on 70% lumen maintenance.
LLF27BK	Black			
LLF27AL	Aluminum			
LLF30WH	White	3000K		
LLF30BK	Black			
LLF30AL	Aluminum			
LLF35WH	White	3500K		
LLF35BK	Black			
LLF35AL	Aluminum			
LLF40WH	White	4000K		
LLF40BK	Black			
LLF40AL	Aluminum			

### Features

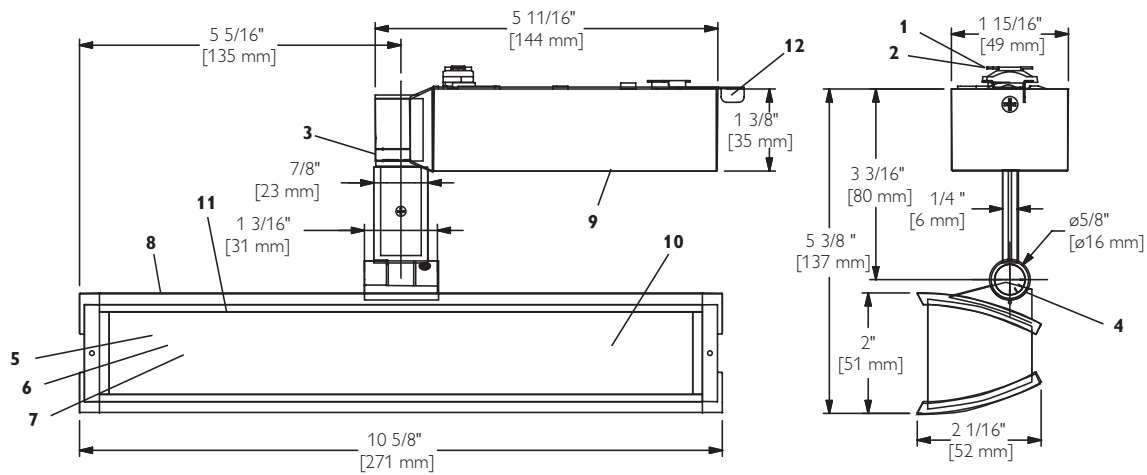
- Track attachment fitting:** For mechanical/electrical connection.
- Brass contact:** Extends for connection to second circuit (Advent track only).
- Horizontal pivot:** Wireless stem profile with 365° horizontal rotation. May be locked using Allen Wrench.
- Vertical pivot:** 0-90° vertical adjustment with aiming indicator. May be locked using Allen Wrench
- Led board:** Metal Core Printed Circuit board for efficient thermal management with 16 high brightness LED's.
- Optical assembly:** Patented remote phosphor technology provides increased efficiency and color stability. Phosphor lens assembly positioned in front of LED array converts blue light to white and produces a wide even pattern of diffused light without bright spots created by individual LED's. Uniform phosphor coating provides consistent, stable color with a shift of no more than +/- 100K over life.
- Optical assembly:** High reflectance material in optical chamber harnesses led light and redirects through phosphor with minimal losses.
- Housing:** Die Cast and Extruded Aluminum performs as housing and heat sink for LED's.

- Driver housing:** Molded Polycarbonate.
- Cover lens:** Colorless Borosilicate glass prevents dust and other contaminants from entering optical and LED surfaces.
- Accessory groove:** integrated groove in housing allows accessories to be installed directly to housing. Accessories sold separately.
- Safety locking lever:** Locks driver housing to track.

Job Information	Type:
Job Name:	
Cat. No.:	
Notes:	

## Lytespan Alcyon LED Flood

Page 2 of 3

**Accessories**

Accepts one of the following:

LLFVZ	WH, BK, AL	Visor
LLFLV	BK	Vertical Blade Louver
LLFBD	WH, BK, AL	Barn Door

**Electrical**

Input Voltage: 120V  
 Input Frequency: 50/60 Hz  
 Input Power: 20W  
 Efficacy: Approx. 53 lm/w\*  
 Input Current: 0.167 amp  
 THD: < 5%  
 Power Factor: > 0.9

\* +/- 8%

**Finish**

All painted finishes are baked enamel.

**Dimming**

Dimming: Use electronic ELV (electronic low voltage) type dimmer.

Refer to LED-DIM spec sheet.

**Labels**

c.U.L. listed. 5 year warranty.

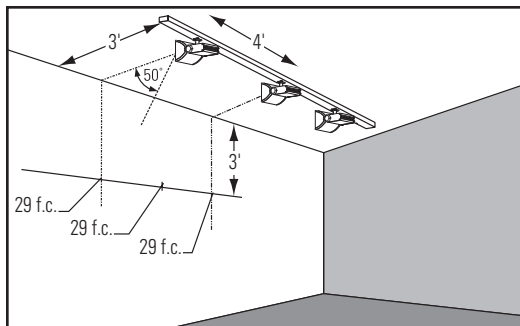
<b>Job Information</b>	<b>Type:</b>
------------------------	--------------

**PHILIPS**  
**LIGHTOLIER**

## Lytespan Alcyon LED Flood

### Lighting Data

#### Footcandles on wall:



#### Lamp Information:

Output Lumens: 1106  
 Rated Average Life: 50,000 hrs. @70% lumen maintenance  
 Correlated Color Temperature<sup>1</sup>: 3,500K  
 CRI 78<sup>2</sup>

**Example:** With track located 3' from wall and multiple units spaced 4' on center and aimed 50° from horizontal, the illumination on wall 3' from ceiling will be 29 f.c. beneath units and 29 f.c. between units.

#### Track 3 Feet From Wall

#### Single Unit

#### Multiple Units

Distance From Ceiling	Single Unit					Multiple Units (4' spacing)			Multiple Units (5' spacing)		
	0'	1'	2'	3'	4'						
	□ Beam Center										
1'	39	32	18	8	3	46	36	46	42	24	42
2'	31	26	17	9	4	39	36	39	35	26	35
3'	20	18	13	8	4	29	29	29	25	22	25
4'	12	11	9	6	4	20	21	20	17	17	17
5'	8	7	6	5	3	14	15	14	12	12	12
6'	5	5	4	3	3	10	11	10	9	9	9
7'	3	3	3	2	2	8	8	8	6	7	6
8'	2	2	2	2	2	6	6	6	5	5	5

Test #4099FR

For 3000K, multiply FC values by 0.95

For 4000K, multiply FC values by 1.05

For 2700K, multiply FC values by 0.86

<sup>1</sup> Correlated Color Temperature within specs as defined in ANSI\_NEMA\_ANSLG C78.377-2008: Specifications for the Chromaticity of Solid State Lighting Products.

<sup>2</sup> CRI within +/- 2%



Philips Lightolier  
 e: lol.webmaster@philips.com  
 t: (508) 679-8131  
 w: www.lightolier.com

LLF December 22, 2011

Specifications are subject to change without notice.  
 © Koninklijke Philips Electronics N.V., 2010. All rights reserved.

**Job Information** Type: