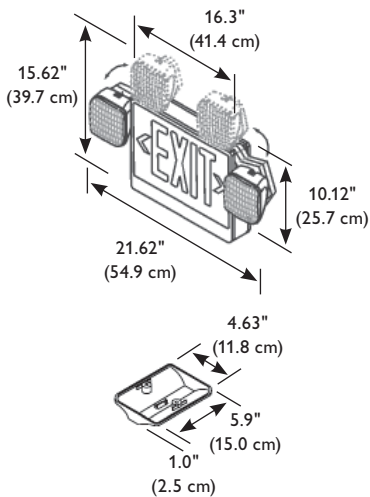


LLC2 Series

COMBINATION THERMOPLASTIC LED EXIT

Page 1 of 2

LLC2UR



Features

Illumination: Emergency illumination is provided by two high-performance lamp reflector systems integral to the product housing. Each lamp head can be positioned on top, side or "in-between." The standard lamp reflector system incorporates a high-intensity 5.4 W, T-5 wedge base tungsten lamp. Illumination of the exit face is accomplished with long-lasting, high-output Light Emitting Diodes (LEDs) without hot spots or striations.

Housing: Impact-resistant, UL 94 5 VA thermoplastic housing with NFPA-compliant field-selectable chevrons. Chevrons can be installed/removed from outside the exit housing. Thermoplastic backplate is provided with mounting knockouts for easy installation to standard junction boxes. Installation is further simplified by the use of snap-together backplate and housing. Canopy is furnished with all models.

Operating Temperature

Range: Damp Location
50°F (10°C) to 104°F (40°C)

Electronics:

120/277 VAC dual voltage input with surge-protection, solid-state circuitry provides for a reliable charging system. Charging system is complete with low voltage disconnect, AC lockout, brownout protection, AC indicator lamp and test switch.

Electrical Specifications:

Red:

0.027 A (120 VAC)

0.012 A (277 VAC)

Green:

0.030 A (120 VAC)

0.013 A (277 VAC)

Code Compliance

UL 924 and UL damp location listed. NFPA 101, NEC, BOCA, OSHA and IBC illumination standards.

Warranty

Three year full electronics warranty. One year full plus four year prorated lead calcium battery warranty.

Job Information	Type:
Job Name:	
Cat. No.:	
Notes:	

PHILIPS
LIGHTOLIER

LLC2 Series

COMBINATION THERMOPLASTIC LED EXIT

Page 2 of 2

Ordering Information

LLC2

Series

LLC2 = LLC Series
II Combination
Emergency Exit

U

Stencil Faces

U = Universal

Letter Color

R = Red
G = Green

W

Stencil Face/Housing Color

W = White

Factory Installed Options

SD = Self-Diagnostics
12R = 12 W Remote Capability¹

Note

1) 12R not available with SD. For remote lamp heads, see RH specification sheet.



Philips Lightolier
e: lol.webmaster@philips.com
t: (508) 679-8131
w: www.lightolier.com

LLC2 Series September 27, 2011

Specifications are subject to change without notice.
© Koninklijke Philips Electronics N.V., 2011. All rights reserved.

Job Information **Type:**