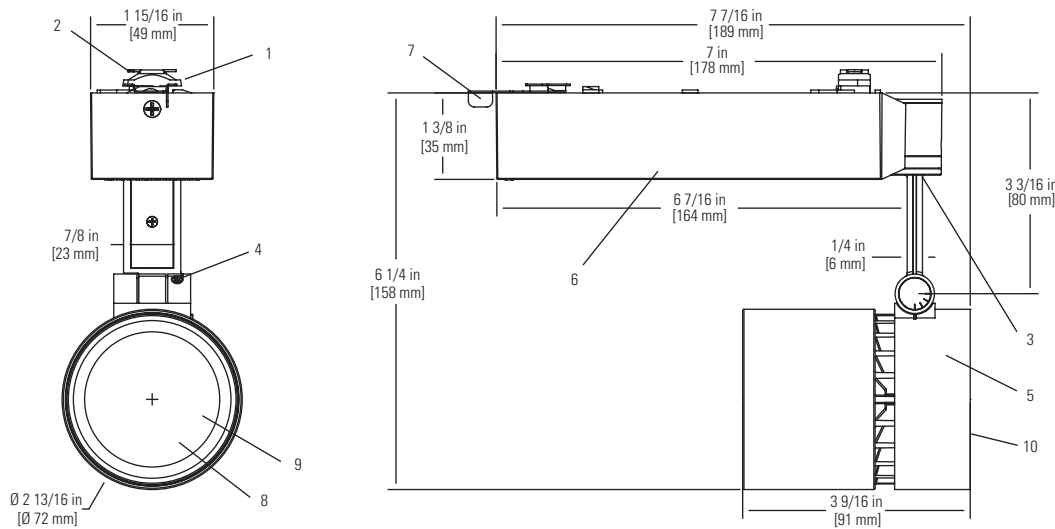


Lytespan Alcyon LED Small Cylinder



Features

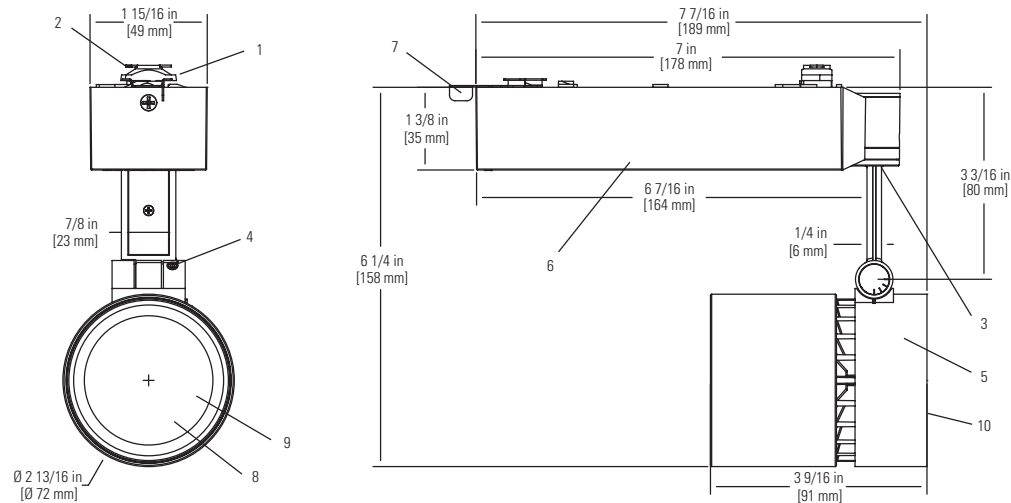
- 1. Track attachment fitting:** for mechanical/electrical connection.
- 2. Brass contact:** extends for connection to second circuit (advent track only).
- 3. Horizontal pivot:** wireless stem profile with 365° horizontal rotation.
- 4. Vertical pivot:** 0-90° vertical adjustment with aiming indicator.
- 5. Integrated housing heat sink:** die-cast aluminum maintains LED junction temperature for minimum 50,000 hr lifetime at 70% lumen maintenance
- 6. Driver housing:** molded polycarbonate
- 7. Safety locking lever:** locks driver housing to track
- 8. Interchangeable optics:** sold separately. Refer to spec sheet LA01R series.
- 9. Led board:** metal core board. 6 tightly packed high brightness white led's.

Ordering Information

Cat. No.	Finish	Description	CCT	CRI
LLA0130WH	White	Dimmable	3000K	84
LLA0130BK	Black			
LLA0130AL	Aluminum			
Cat. No.	Finish	Description	CCT	CRI
LLA0127WH	White	Dimmable	2700K	84
LLA0127BK	Black			
LLA0127AL	Aluminum			

Job Information	Type:
Job Name:	
Cat. No.:	
Notes:	

Lytespan Alcyon LED Small Cylinder



Accessories

Accessory Holder

(When using two accessories must use holder)

LLA01AHWH	Accessory Holder White
LLA01AHBK	Accessory Holder Black

Snoot

LLA01SNWH	Snoot 2.42" dia. white
LLA01SNBK	Snoot 2.42" dia. black

Louwer

AL25HC	2.5" Diam Hex Cell Louwer
---------------	----------------------------------

Diffusion or Color Filters

AF25, ADF25 Series

Mounting

For use with Lytespan Radius, Basic and Advent Track. Not compatible with extension wands or slope ceiling adapters. For monopoint applications refer to spec sheets 6173.

Finish

All painted finishes are baked enamel.
Back of housing is black on all finishes.

Reflector Options

Ordered Separately. Field Changeable

LLA01RS	Spot Ref
LLA01RNF	Narrow Flood Ref
LLA01RF	Flood Ref
LLA01RSSOL	Spot Ref (Includes Solite)
LLA01RNF SOL	Narrow Flood Ref (Includes Solite)
LLA01RFSOL	Flood Ref (Includes Solite)

Electrical

Electronic power supply input voltage: 120V, 50/60 Hz
Input power: 16W Efficacy: Approximately 46 lm/w
High power factor >0.9 ELV dimming available

Dimming

Lightolier Controls: ZP425QE
Lutron Skylark: SELV-300P-WH
Leviton Decora: IPE04-ILX

Labels

c.U.L.u.s. listed. 5 year warranty,
DLC compliant.

Job Information	Type:
------------------------	--------------

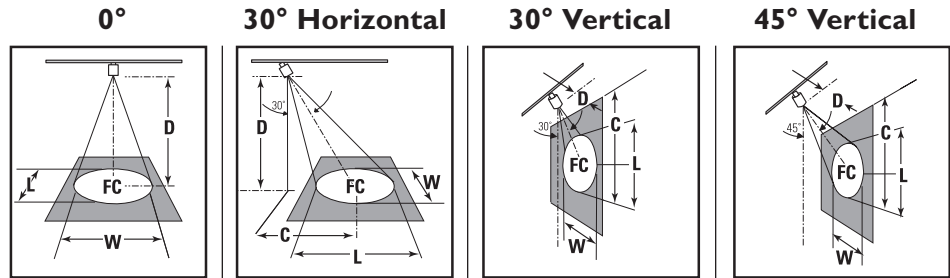
Lytespan Alcyon LED Small Cylinder

Aiming Angle:

L Beam length **D** Distance
W Beam Width **A** Aiming Angle
C Distance to center beam **FC** Footcandles

L and **W** are the outer points where the candle power drops to 50% of the maximum. **FC** are the initial footcandles at the center of the beam. Data shown is for 3000K, for 2700K multiply FC by 0.91.

CBCP = Center Beam Candle Power.



	Beam Spread (To 50% CBCP)	CBCP	Rated Life (Hrs.)	0°				30° Horizontal				30° Vertical				45° Vertical						
				D	FC	L	W	D	C	FC	L	W	D	C	FC	L	W	D	C	FC	L	W
LLA01RS w/Solite Lens		2,137	50,000	6	59	2.9'	2.9'	5'	2.9'	56	3.3'	2.8'	2'	3.5'	67	4.6'	1.9'	2'	2.0'	189	2.0'	1.4'
				7	44	3.4'	3.4'	6'	3.5'	39	3.9'	3.3'	3'	5.2'	30	7.0'	2.9'	3'	3.0'	84	3.1'	2.0'
				8	33	3.8'	3.8'	7'	4.0'	28	4.6'	3.9'	4'	6.9'	17	9.3'	3.8'	4'	4.0'	47	4.1'	2.7'
				9	26	4.3'	4.3'	8'	4.6'	22	5.2'	4.4'	5'	8.7'	11	11.6'	4.8'	5'	5.0'	30	5.1'	3.4'
LLA01RNF w/Solite Lens		1,941	50,000	5	78	2.8'	2.8'	5'	2.9'	50	3.8'	3.2'	2'	3.5'	61	5.8'	2.2'	2'	2.0'	172	2.4'	1.6'
				6	54	3.3'	3.3'	6'	3.5'	35	4.6'	3.8'	3'	5.2'	27	8.7'	3.3'	3'	3.0'	76	3.6'	2.4'
				7	40	3.9'	3.9'	7'	4.0'	26	5.3'	4.5'	4'	6.9'	15	11.5'	4.4'	4'	4.0'	43	4.8'	3.1'
				8	30	4.4'	4.4'	8'	4.6'	20	6.1'	5.1'	6'	10.4'	7	17.3'	6.7'	6'	6.0'	19	7.2'	4.7'
LLA01RF w/Solite Lens		1,423	50,000	5	57	3.3'	3.3'	5'	2.9'	37	4.6'	3.9'	2'	2.6'	79	6.0'	2.0'	2'	2.0'	126	3.0'	1.9'
				6	40	4.0'	4.0'	6'	3.5'	26	5.6'	4.6'	2'	3.5'	44	8.1'	2.7'	3'	3.0'	56	4.5'	2.8'
				7	29	4.7'	4.7'	7'	4.0'	19	6.5'	5.4'	3'	5.2'	20	12.1'	4.0'	4'	4.0'	31	6.0'	3.8'
				8	22	5.4'	5.4'	8'	4.6'	14	7.4'	6.2'	4'	6.9'	11	16.1'	5.4'	6'	6.0'	14	9.0'	5.7'
LLA01RS w/Clear Lens		2,569	50,000	6	71	2.6'	2.6'	5'	2.9'	67	2.9'	2.5'	2'	3.5'	80	3.9'	1.7'	2'	2.0'	227	1.8'	1.2'
				7	52	3.0'	3.0'	6'	3.5'	46	3.5'	2.9'	3'	5.2'	36	5.9'	2.6'	3'	3.0'	101	2.7'	1.8'
				8	40	3.4'	3.4'	7'	4.0'	34	4.0'	3.4'	4'	6.9'	20	7.9'	3.4'	4'	4.0'	57	3.6'	2.4'
				9	32	3.8'	3.8'	8'	4.6'	26	4.6'	3.9'	5'	8.7'	13	9.8'	4.3'	5'	5.0'	36	4.5'	3.0'
LLA01RNF w/Clear Lens		2,107	50,000	5	84	2.7'	2.7'	5'	2.9'	55	3.7'	3.1'	2'	3.5'	66	5.5'	2.1'	2'	2.0'	186	2.3'	1.5'
				6	59	3.2'	3.2'	6'	3.5'	38	4.4'	3.7'	3'	5.2'	29	8.2'	3.2'	3'	3.0'	83	3.5'	2.3'
				7	43	3.8'	3.8'	7'	4.0'	28	5.1'	4.3'	4'	6.9'	16	10.9'	4.3'	4'	4.0'	47	4.6'	3.0'
				8	33	4.3'	4.3'	8'	4.6'	21	5.9'	5.0'	6'	10.4'	7	16.4'	6.4'	6'	6.0'	21	6.9'	4.5'
LLA01RF w/Clear Lens		1,473	50,000	5	59	3.2'	3.2'	5'	2.9'	38	4.5'	3.8'	2'	2.6'	82	5.7'	1.9'	2'	2.0'	130	2.9'	1.8'
				6	41	3.9'	3.9'	6'	3.5'	27	5.4'	4.5'	2'	3.5'	46	7.6'	2.6'	3'	3.0'	58	4.4'	2.8'
				7	30	4.5'	4.5'	7'	4.0'	20	6.3'	5.3'	3'	5.2'	20	11.4'	3.9'	4'	4.0'	33	5.8'	3.7'
				8	23	5.2'	5.2'	8'	4.6'	15	7.2'	6.0'	4'	6.9'	12	15.2'	5.2'	6'	6.0'	14	8.7'	5.5'

Photometric performance

Tested in accordance to IESNA LM79-2008



Philips Lightolier
e: lol.webmaster@philips.com
t: (508) 679-8131
w: www.lightolier.com

LLA01 January 23, 2012

Specifications are subject to change without notice.
© Koninklijke Philips Electronics N.V., 2010. All rights reserved.

Job Information Type: