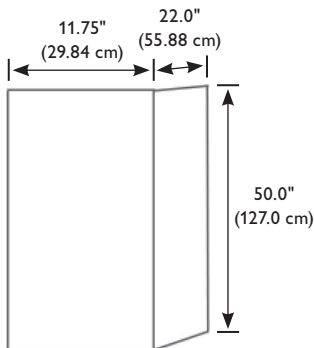


# LL2 Series

## 1,500 VA SINGLE PHASE UPS

Page 1 of 2

### LL2AA1.5



### Overall Characteristics

**Features:** Operating temperature range 32°F (0°C) to 104°F (40°C). Audible noise less than 50 dB at 3 ft on "A" weighted scale. Automatic low battery voltage disconnect. Double conversion, no interruption. Solid state pulse width modulated inverter. Internal inverter bypass switch. Standard UL 924 compliant, 90 minute battery back up. UL 924 auxiliary equipment 10 and 20 minute back up available. Microprocessor control and diagnostic system. LED array system status panel. Fault annunciating audible alarm. Current limiting start sequence. Single output circuit breaker is standard. Additional circuit breakers (OCB) or circuit breakers with trip alarms (OCBA) can be added. Optional normally off load (NOL) energizes only during power outage, is user programmable from 0-15 minutes. Free standing NEMA 1 enclosure. Lockable control access panel. Seismic anchoring compatible.

**Application:** The solid state pulse width modulated (PWM) inverter offers enhanced load compatibility. It operates incandescent, magnetic and electronic ballast fluorescent, high power factor compact fluorescent, and high intensity discharge (HID) luminaries. Provides conditioned, uninterruptible power for other types of critical loads. Consult factory for non-lighting load applications.

**Input:** Input power factor is correcting to 0.97. Frequency range is 60 Hz,  $\pm 2.5$  Hz. Input harmonic current distortion is  $< 5\%$  THD. IEEE 587 ANSI C 62.41-1980 surge suppression.

**Output:** Sine wave output. Voltage regulation  $\pm 2\%$ . Frequency regulation is synchronized to utility and free running 60 Hz,  $\pm 0.5\%$ . Output voltage distortion maximum 3% THD with linear load. Load power factor capability 0.7 lead to 0.7 lag. Overload capability 150% for 1 minute with utility power source present.

### Code Compliance

UL 924 and UL 924 auxiliary equipment listed.

### Warranty

Electronics warranty is twelve months from date of shipment. Battery warranty is one year full, nine years pro-rata from date of shipment. Extended warranty available, consult factory for extended warranty and service option.

### Job Information Type:

Job Name:

Cat. No.:

Notes:

**PHILIPS**

**LIGHTOLIER**

# LL2 Series

## 1,500 VA SINGLE PHASE UPS

### Ordering Information

<b>LL2</b>		<b>1.5</b>					
Series	Voltage Config. Input/Output	Unit Size	Battery Time	Nol	Qty Circuit Breakers	Qty Nol Circuit Breakers	Factory Installed Options
<b>LL2</b> = Single Phase UPS System for Emergency Lighting Applications	<b>AA</b> = 120/120 <b>JJ</b> = 277/277 <b>JA</b> = 277/120	<b>1.5</b> = 1500 VA	<b>S</b> = 90 Min <b>X</b> = 10 Min <b>Y</b> = 20 Min	<b>0</b> = No <b>1</b> = Yes with TDT	<b>01X</b> = 1 OCB* <b>02X</b> = 2 OCB <b>03X</b> = 3 OCB <b>04X</b> = 4 OCB . . <b>12X</b> = 12 OCB ----- <b>01A</b> = 1 OCBA <b>02A</b> = 2 OCBA <b>03A</b> = 3 OCBA . . <b>06A</b> = 6 OCBA	<b>A</b> = 1 <b>B</b> = 2 <b>C</b> = 3 <b>D</b> = 4 <b>E</b> = 5 <b>F</b> = 6 <b>G</b> = 7 <b>H</b> = 8 <b>I</b> = 9 <b>J</b> = 10 <b>K</b> = 11 <b>L</b> = 12 <b>Z</b> = None	<b>FSU</b> = Factory Start-Up Service <b>EXT</b> = Extended Warranty <sup>1</sup>

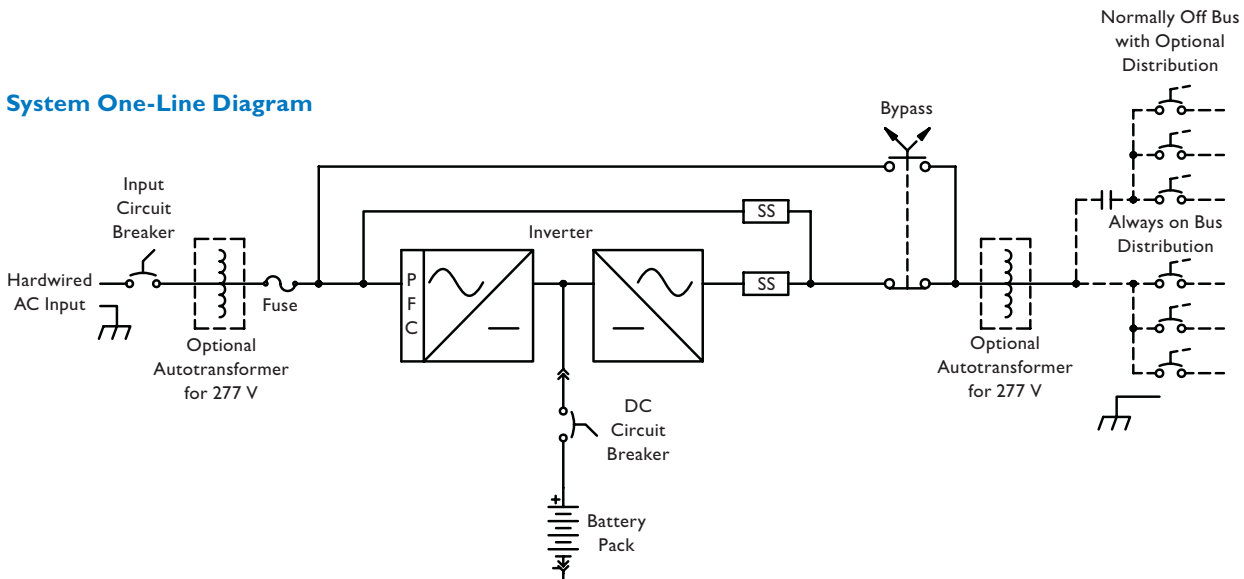
Note  
1) EXT option only available with FSU.  
  
\* 1 OCB is standard, substitute corresponding designator for optional configurations.

### System Input/Output Ratings

System Rating	1500 VA
Input Voltage (V) : Input Current	120 : 20.4 277 : 9.6
Output Voltage (V) : Output Current	120 : 12.5 277 : 5.4
OCB Pole Spaces Available	
Without Trip Alarm	12
With Trip Alarm	6
Heat Rejection (btu/hr)	750
Weights (lbs)	
120 V with 90 min battery	475
277 V with 90 min battery	535

(Maximum  
12 pole spaces)

### System One-Line Diagram



Philips Lightolier  
e: lol.webmaster@philips.com  
t: (508) 679-8131  
w: www.lightolier.com

LL2 Series - 1500 VA August 31, 2011

Specifications are subject to change without notice.  
© Koninklijke Philips Electronics N.V., 2011. All rights reserved.

**Job Information Type:**