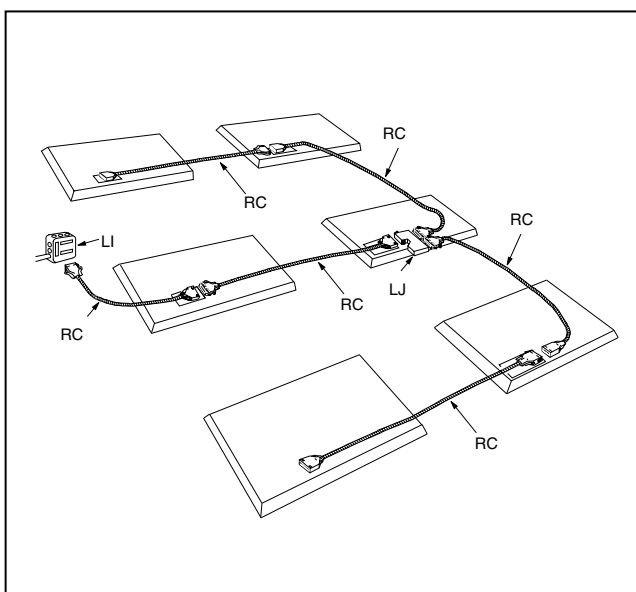


FEATURES

- Die cast housing with zinc plated steel cover plate.
- Internal wires are #12 AWG THHN stranded copper, 600 volt, plus a bare #12AWG solid tinned copper ground conductor.
- Thru-wired for three circuits.
- Unit is low profile, 5-5/8" x 3-1/8" x 13/16".
- I.B.E.W./UL and C-UL Labeled.

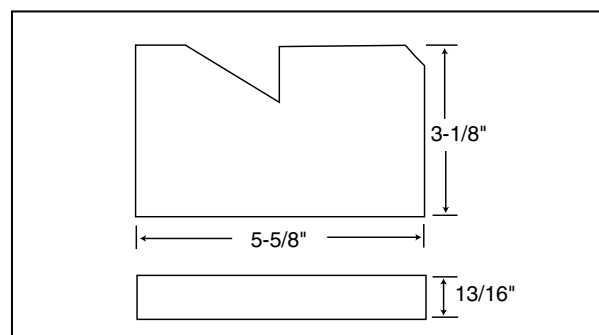


APPLICATION



The circuit splitter unit is plugged into cable, adapter or tap cable to divide the circuit flow into two directions from the unit.

DIMENSIONS



Job Information

Type:

Job Name:

Cat. No.:

Lamp(s):

Volts/Ballast:

Lightolier a Genlyte Thomas Company

www.lightolier.com

Technical Information: (978) 657-7600 • Fax (978) 658-0595

631 Airport Road, Fall River, MA 02720 • (508) 679-8131 • Fax (508) 674-4710

We reserve the right to change details of design, materials and finish.

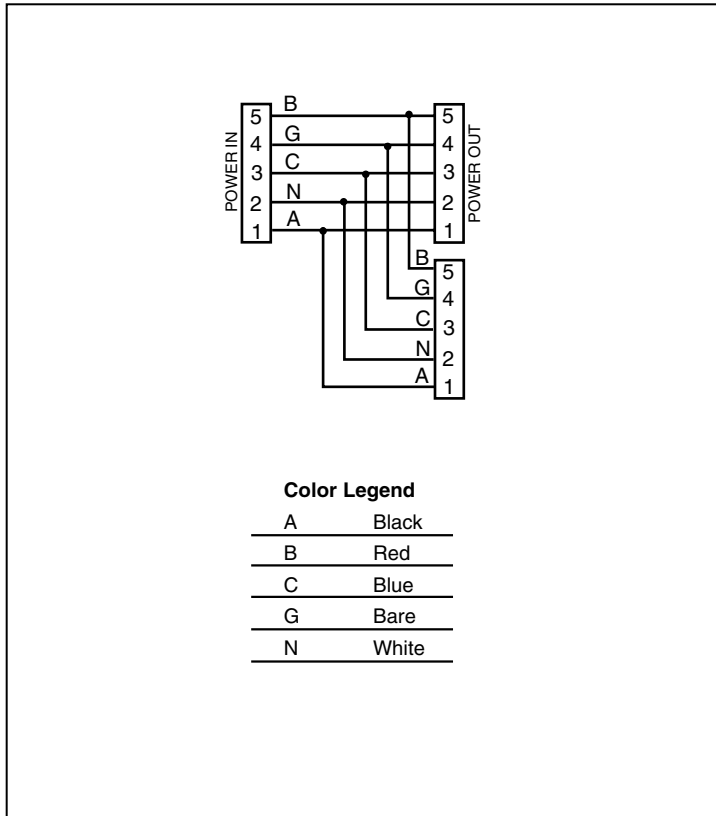
© 2002 Genlyte Thomas Group LLC (Lightolier Division)

A0902

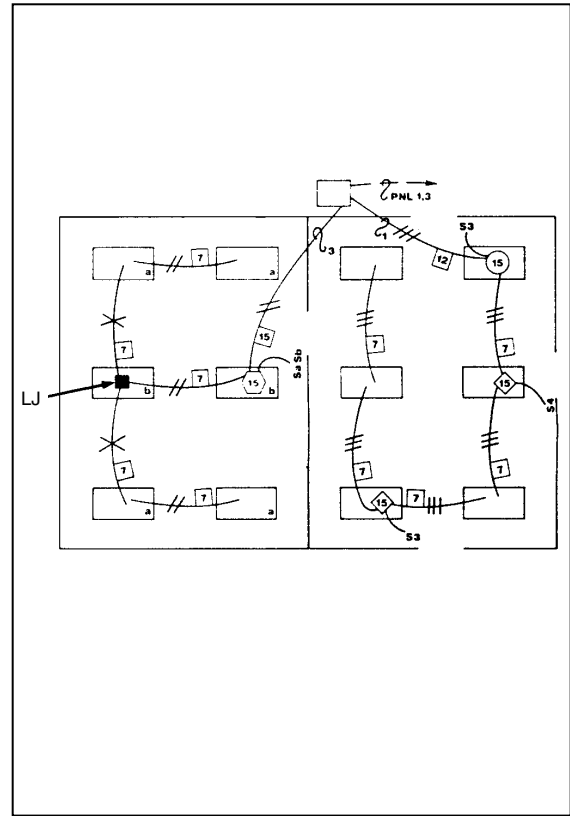
OPTIONS/ACCESSORIES/Folio OA40-14

LIGHTOLIER®

WIRING DIAGRAM

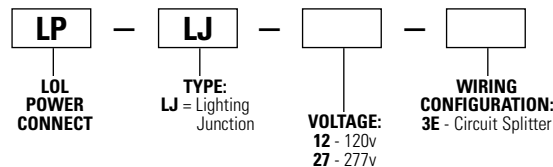


WIRING



ORDERING INFORMATION

Explanation of Catalog Number. Example: LP-LJ-12-3E



SPECIFICATIONS

- I.B.E.W. UL and C-UL Listed.
- Unit is low profile, 5-5/8" x 3-1/8" x 13/16".
- Thru-wired for three circuits.
- Die cast housing with zinc plated steel cover plate.
- Internal wires are #12 AWG THHN stranded copper, 600 volt, plus a bare #12 AWG solid tinned copper ground conductor.

Job Information

Type:

Lightolier a Genlyte Thomas Company www.lightolier.com
 Technical Information: (978) 657-7600 • Fax (978) 658-0595
 631 Airport Road, Fall River, MA 02720 • (508) 679-8131 • Fax (508) 674-4710
 We reserve the right to change details of design, materials and finish.
 © 2002 Genlyte Thomas Group LLC (Lightolier Division)
 A0902 **OPTIONS/ACCESSORIES/Folio OA40-14**