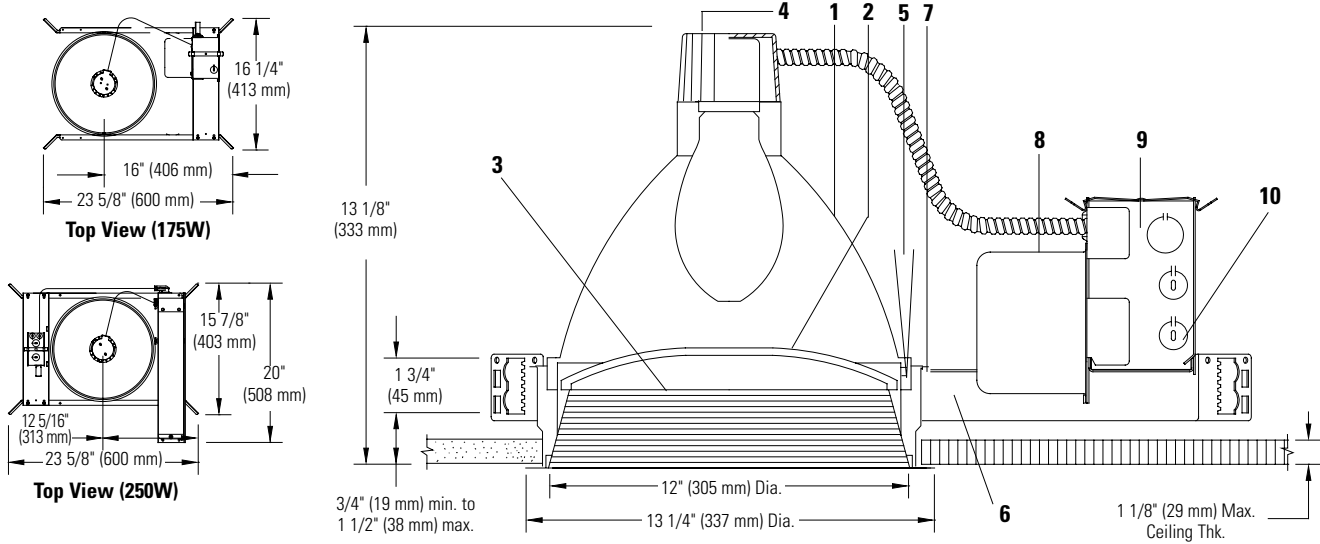


Calculite® H.I.D. Lensed Downlight **LD12D**



Ceiling Cutout: 12 1/2" (318 mm) Dia.

Complete Fixture consists of Reflector Trim & Frame-In Kit. Select each separately.

| Reflector Trim | | Frame-In Kit | Lamp |
|----------------|--------------|--------------|--|
| LD12D WH | White Baffle | LD12D 17HB | 175W E28/BT28 (Coated) Enclosed Metal Halide |
| LD12D BK | Black Baffle | LD12D 25HB | 250W E28/BT28 (Coated) Enclosed Metal Halide |

Features

- Reflector:** Semi-specular Alzak® aluminum, 16 ga.
- Fresnel Lens:** 11" dia. Regressed 2 1/4" from ceiling line.
- Lens Bezel:** Spun aluminum, 16 ga. Stepped conical aperture for low brightness. Matte white or black inside, painted white flange.
- Socket Cup:** Heat dissipating die-cast aluminum with mogul base porcelain socket with nickel plated screw shell.
- Torsionite Springs:** Permit removal of lens assembly without tools.
- Mounting Frame:** Die-formed steel, 16 ga. vertically oriented for maximum rigidity. Comes with 4 mounting brackets to accept standard 3/4" or 1 1/2" lathing channels (by others), 1/2" EMT tubing (by other) or optional Lightolier mounting bars (1950 or 1951).
- Mounting Rings:** Die-formed steel, 20 ga. Designed for vertical adjustment for inside of fixture, black finish.
- Ballast/Junction Box Assembly:** Ballast and splice box on 16 ga. plate. Ballast assembly is accessible from below without tools for inspection and replacement.
- Junction Box:** 16ga. steel. Can be inspected from below. UL listed for maximum of (8) No. 12 AWG, 90°C through branch circuit conductors.
- Thermal Protector:** Meets NEC and UL requirements. Thermal insulation shall not be installed within 3" (76mm) of the recessed fixture enclosure, wiring compartment, or ballast, and shall not be so installed above the fixture so as to entrap heat and prevent the free circulation of air.

Electrical

Ballast: 120/277V, magnetic, lag type high reactance autotransformer, high power factor, encased and filled with a special thermally conductive insulation material for heat dissipation and quiet operation.

| Ballast | ANSI Code | Voltage | Max. Amps | Input Watts |
|---------|-----------|---------|-----------|-------------|
| 175W MH | M57 | 120/277 | 1.80/0.80 | 210 |
| 250W MH | M58 | 120/277 | 2.50/1.12 | 293 |

Options and Accessories

- Mounting Bars:** 1950 - 18" Set of (2) 1951 - 27" set of (2)
 - T-Bar Anchor Clips:** 1956 (set of 4). For use with mounting bars.
 - Slope Ceiling Adaptor:** 7929. See Spec. Sheet SCA.
 - Auxiliary:** *Add suffix **A** to Frame-In Kit. See Spec. Sheet "A".
 - Emergency Lamp:** *Add suffix **E** to Frame-In Kit. See Spec. Sheet "E".
 - Fuse:** Add suffix **F1** or **F2** to Frame-In Kit (F1=120V, F2=277V)
 - Chicago Air Plenum:** Add **LC** to Frame-In Kit
- * Auxiliary and Emergency for 250W MH, marking spacing is required. Not for residential use. Install with minimum spacings between:
a) Centers of adjacent fixtures: 3 feet; B) Top of fixture and an overhead building member; 3 inches; and C) Fixture center to side wall: 1 1/2 feet

Labels

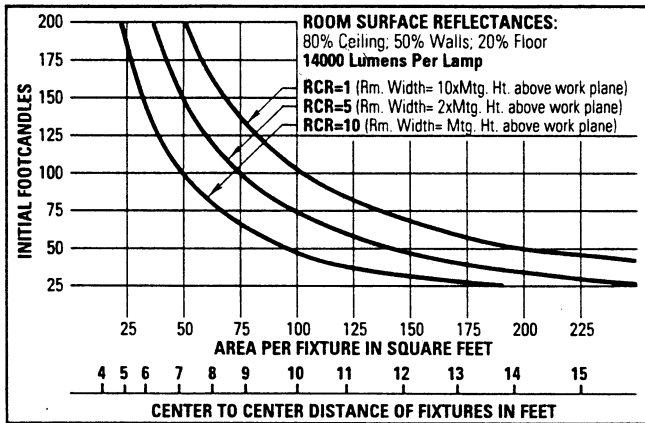
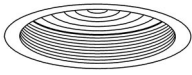
UL (Suitable for wet Locations), CSA, I. B. E. W.

Alzak® is a registered trademark of ALCOA.

| Job Information | Type: |
|------------------|-------|
| Job Name: | |
| Cat. No.: | |
| Lamp(s): | |
| Notes: | |

Lightolier a Genlyte Thomas Company www.lightolier.com
631 Airport Road, Fall River, MA 02720 • (508) 679-8131 • Fax (508) 674-4710
We reserve the right to change details of design, materials and finish.
© 2002 Genlyte Thomas Group LLC (Lightolier Division) • A0902

LIGHTOLIER



This quick calculator chart determines the number and spacing of 175 Watt BT28 Metal Halide units for any level of illumination. Lighting Conversion Factors: 250 Watt BT28 Metal Halide: F.C. x 1.5.

SPACING RATIO = 1.0

CERTIFIED TEST REPORT NO. 15868
INDEPENDENT TESTING LABORATORIES, INC.
RECESSED FRESNEL LENS LITE HID DOWNLIGHT
12" APERTURE, SPECULAR FINISH
ONE 175W BT28 METAL HALIDE COATED LAMP, LUMEN RATING = 12000

CANDLEPOWER SUMMARY

| ANGLE | MEAN CP | LUMENS |
|-------|---------|--------|
| 0 | 5630 | |
| 5 | 5610 | 533 |
| 15 | 5372 | 1520 |
| 25 | 4436 | 2054 |
| 35 | 2781 | 1746 |
| 45 | 1358 | 1051 |
| 55 | 590 | 529 |
| 65 | 275 | 273 |
| 75 | 110 | 116 |
| 85 | 26 | 28 |
| 90 | 0 | 1 |
| 65 | 1 | 0 |
| 75 | 0 | 0 |
| 85 | 0 | 0 |

ZONAL LUMENS AND PERCENTAGES

| ZONE | LUMENS | % LAMP | % LUMINAIRE |
|--------|--------|--------|-------------|
| 0-30 | 4107 | 34.3 | 52.3 |
| 0-40 | 5853 | 48.8 | 74.6 |
| 0-60 | 7433 | 61.9 | 94.7 |
| 0-90 | 7850 | 65.4 | 100.00 |
| 90-180 | 0 | .00 | .00 |
| 0-180 | 7850 | 65.4 | 100.00 |

** EFFICIENCY = 65.4% **

DATE: NOVEMBER 8, 1972
PREPARED FOR:
LIGHTOLIER, SECAUCUS N.J.

TESTED ACCORDING TO IES PROCEDURES. TEST DISTANCE EXCEEDS FIVE TIMES THE GREATEST LUMINOUS OPENING OF LUMINAIRE.

COEFFICIENTS OF UTILIZATION

% EFFECTIVE CEILING CAVITY REFLECTANCE

| ROOM CAVITY RATIO | % EFFECTIVE CEILING CAVITY REFLECTANCE | | | | | | | | | | | | | | | |
|-------------------|--|-----|-----|-----|-----|-----|-----|-----|-----|-----|-----|-----|-----|-----|-----|-----|
| | 80 | | | 70 | | | 50 | | | 30 | | | 10 | | | 0 |
| | % WALL REFLECTANCE | | | | | | | | | | | | | | | |
| | 50 | 30 | 10 | 50 | 30 | 10 | 50 | 30 | 10 | 50 | 30 | 10 | 50 | 30 | 10 | 0 |
| 1 | .72 | .70 | .68 | .70 | .68 | .67 | .67 | .66 | .65 | .65 | .64 | .63 | .63 | .62 | .61 | .60 |
| 2 | .66 | .63 | .60 | .65 | .62 | .59 | .62 | .60 | .58 | .60 | .58 | .57 | .59 | .57 | .56 | .54 |
| 3 | .60 | .57 | .54 | .59 | .56 | .53 | .58 | .55 | .52 | .56 | .54 | .52 | .55 | .52 | .51 | .50 |
| 4 | .56 | .51 | .48 | .55 | .51 | .48 | .53 | .50 | .47 | .52 | .49 | .47 | .51 | .48 | .46 | .45 |
| 5 | .51 | .47 | .43 | .50 | .46 | .43 | .49 | .45 | .43 | .48 | .45 | .42 | .47 | .44 | .42 | .41 |
| 6 | .47 | .43 | .39 | .47 | .42 | .39 | .46 | .42 | .39 | .45 | .41 | .39 | .44 | .41 | .38 | .37 |
| 7 | .44 | .39 | .36 | .43 | .39 | .36 | .42 | .38 | .36 | .42 | .38 | .35 | .41 | .38 | .35 | .34 |
| 8 | .40 | .36 | .32 | .40 | .35 | .32 | .39 | .35 | .32 | .38 | .35 | .32 | .37 | .34 | .32 | .31 |
| 9 | .37 | .32 | .29 | .36 | .32 | .29 | .36 | .32 | .29 | .35 | .31 | .29 | .34 | .31 | .29 | .28 |
| 10 | .34 | .29 | .26 | .34 | .29 | .26 | .33 | .29 | .26 | .32 | .29 | .26 | .32 | .29 | .26 | .25 |

20% FLOOR CAVITY REFLECTANCE

Conversion Factors: 250W BT28 Metal Halide: C.U. x 1.0.

Job Information **Type:**

Lightolier a Genlyte Thomas Company www.lightolier.com
631 Airport Road, Fall River, MA 02720 • (508) 679-8131 • Fax (508) 674-4710
We reserve the right to change details of design, materials and finish.
© 2002 Genlyte Thomas Group LLC (Lightolier Division) • A0902

LIGHTOLIER