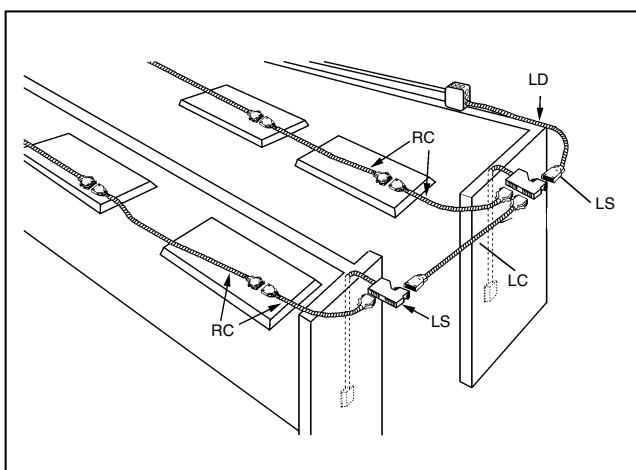


Features

- Pre-wired with male (power-in) female (power-out) configuration.
- Internal wires are #12 AWG THHN stranded copper, 600 volt, plus a bare #12 AWG solid tinned copper ground conductor.
- Cablehead is 18 gauge steel, zinc plated.
- Spring steel latches are on the male (power-in) cablehead.
- Single circuit, two circuit and three circuit cable sets are available.
- I.B.E.W. UL and C-UL Labeled.

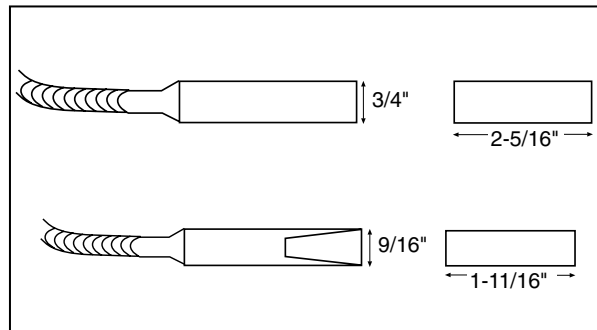


APPLICATION



Pre-fabricated distribution cables replace conventional conduit and wire to distribute branch lighting circuits from junction box.

DIMENSIONS



Job Information

Type:

Job Name:

Cat. No.:

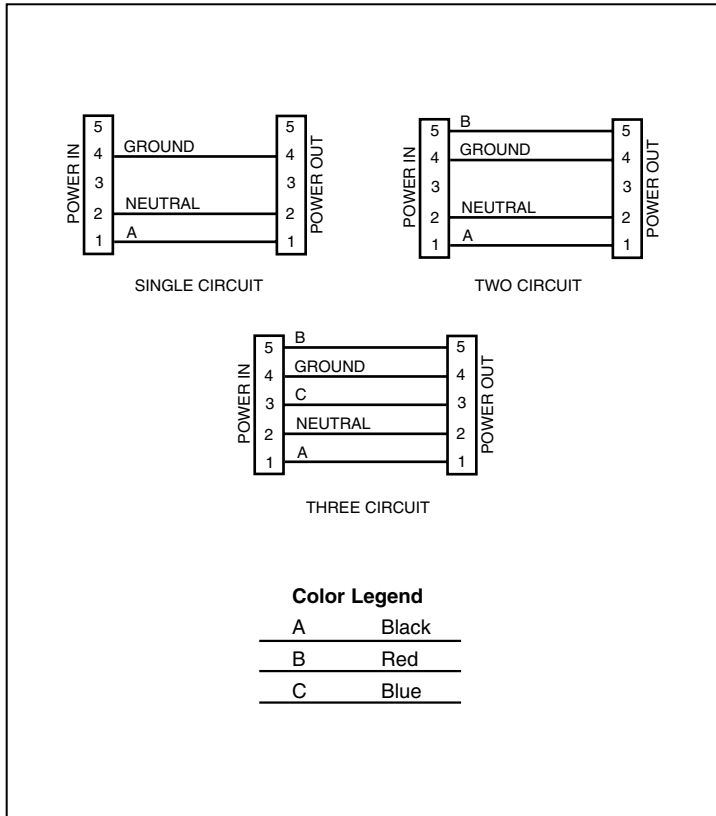
Lamp(s):

Volts/Ballast:

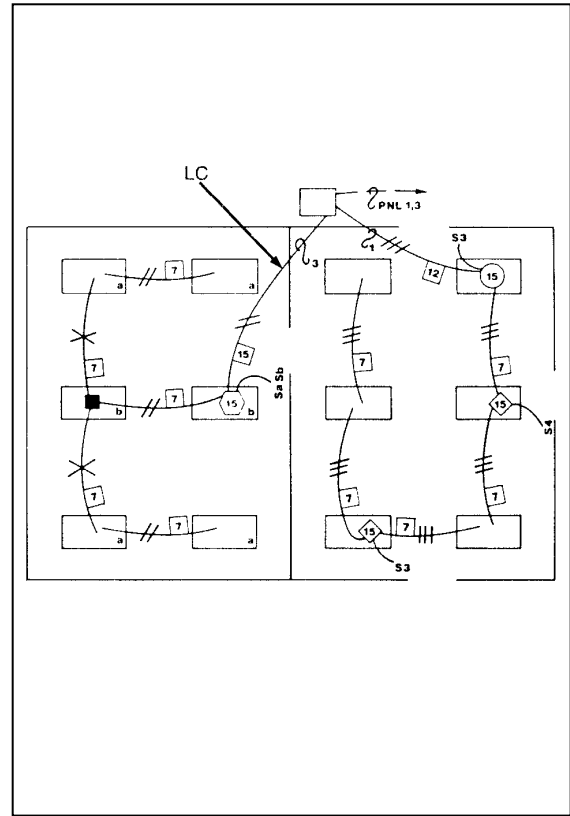
Lightolier a Genlyte Thomas Company www.lightolier.com
 Technical Information: (978) 657-7600 • Fax (978) 658-0595
 631 Airport Road, Fall River, MA 02720 • (508) 679-8131 • Fax (508) 674-4710
 We reserve the right to change details of design, materials and finish.
 © 2002 Genlyte Thomas Group LLC (Lightolier Division)
 A0902 **OPTIONS/ACCESSORIES/Folio OA40-11**

LIGHTOLIER®

WIRING DIAGRAM

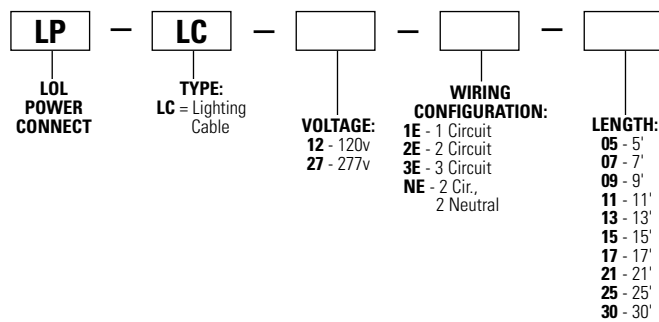


WIRING



ORDERING INFORMATION

Explanation of Catalog Number. Example: LP-LC-12-1E-05



SPECIFICATIONS

- UL and C-UL Listed.
- Pre-wired with male (power-in) female (power-out) configuration.
- Internal wires are #12 AWG THHN stranded copper, 600 volt, plus a bare #12 AWG solid tinned copper ground conductor.
- Cablehead is 18 gauge steel, zinc plated.
- Single circuit, two circuit and three circuit cable sets are available.

Job Information

Type:

Lightolier a Genlyte Thomas Company www.lightolier.com
 Technical Information: (978) 657-7600 • Fax (978) 658-0595
 631 Airport Road, Fall River, MA 02720 • (508) 679-8131 • Fax (508) 674-4710
 We reserve the right to change details of design, materials and finish.
 © 2002 Genlyte Thomas Group LLC (Lightolier Division)
 A0902 **OPTIONS/ACCESSORIES/Folio OA40-11**