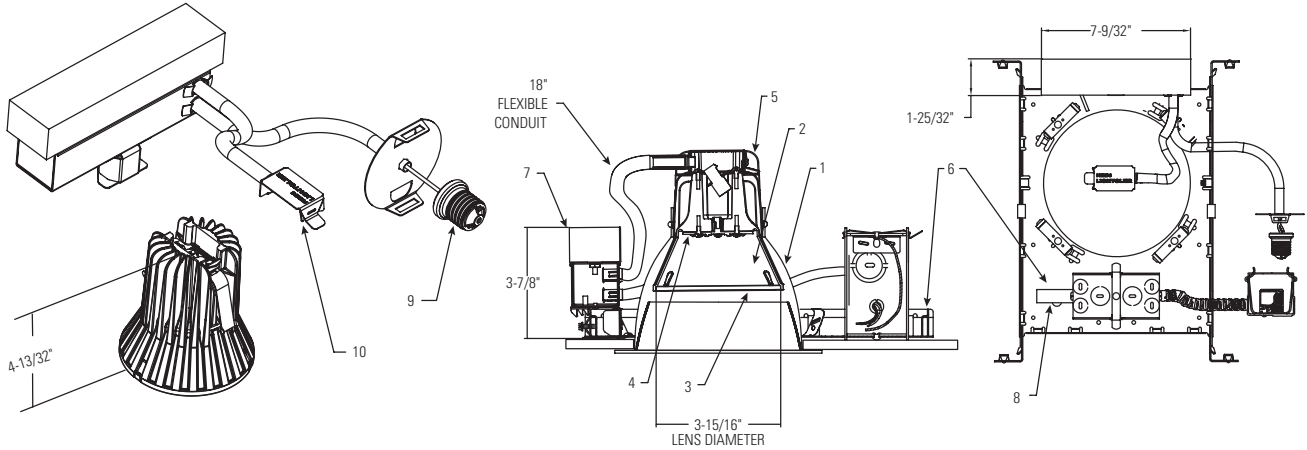


L56LED09SD

Lytecaster, Dimming, LED, Retrofit Kit



Retrofit kit

Retrofit kit fully assembled with frame-in kit and reflector trim

Retrofit kit and frame-in kit

Note: Complete assembly consist of LED Retro-fit + Frame + Trim

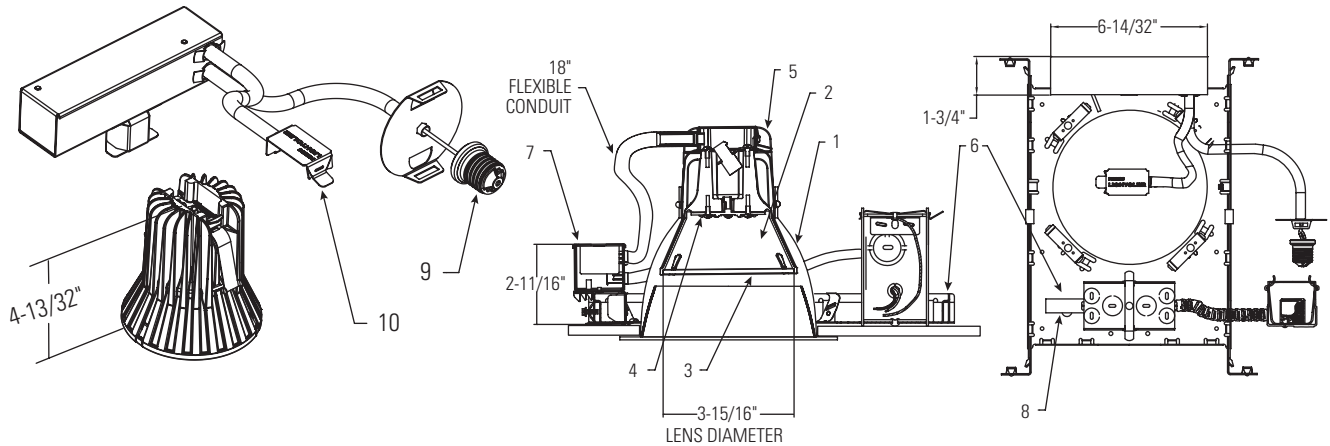
| LED retrofit kit | 1000 Series trim compatibility | | | | | | | |
|------------------------------|--------------------------------|---|------------|---------|-------------|---------|--------------------|--------------|
| | Frame-in-kit | Reflector trims- see individual reflector trim specification sheets | | | | | | |
| L56LED09S27D L56LED09S35D | 1002P1 | Open downlight | | | | | | |
| | | Cone | Satin cone | Baffle | Basic white | Pinhole | Enclosed diffusers | Wall washers |
| | | 1012 | 1008 | 1005 | 1071 | 1011 | 1024 | 1035 |
| | | 1012NM | 1008NM | 1005NM | | | 1078 | 1035WH |
| | | 1013 | 1010 | 1005WH | | | 1090 | 1085 |
| | | 1013NM | 1010NM | 1005BNM | | | | |
| | | 1013BK | | 1076 | | | | |
| | | 1013BKNM | | 1076WH | | | | |
| | | 1013CD | | | | | | |
| | | 1013CDNM | | | | | | |
| 1013WH | | | | | | | | |

***Note:** See Page 4 for recommended dimmers.

| Job Information | Type: |
|-----------------|-------|
| Job Name: | |
| Cat. No.: | |
| Notes: | |

L56LED09SD

Lytecaster, Dimming, LED, Retrofit Kit



Note: Complete assembly consist of LED Retro-fit + Frame + Trim

| LED retrofit kit | 1100 Series trim compatibility | | | | | | | | | |
|------------------------------|--------------------------------|---|----------|------------|---------|-------------|------------|--------------------|--------------|----------|
| | Frame-in-kit | Reflector trims- see individual reflector trim specification sheets | | | | | | | | |
| L56LED09S27D L56LED09S35D | 1102P1 1102P1M | Open downlight | | | | | | | | |
| | | Anodized reflector | Cone | Satin cone | Baffle | Basic white | Crossblade | Enclosed diffusers | Wall washers | Open wet |
| | | 1143 | 1112 | 1108 | 1105 | 1171 | 1132 | 1121 | 1185 | 1184WH |
| | | 1144 | 1112NM | 1108NM | 1105NM | | | 1124 | 1186 | 1184CD |
| | | 1144CD | 1113 | 1110 | 1105WH | | | 1126 | 1186WH | |
| | | 1145 | 1113NM | 1110NM | 1105BNM | | | 1128 | 1195 | |
| | | 1146 | 1113BK | | 1176 | | | 1134 | 1196 | |
| | | 1146CD | 1113BKNM | | 1176WH | | | 1177SH | 1196CD | |
| | | | 1113CD | | 1179M1 | | | 1178SH | | |
| | | | 1113CDNM | | 1179WH | | | 1190 | | |
| | 1113WH | | | | | | | | | |

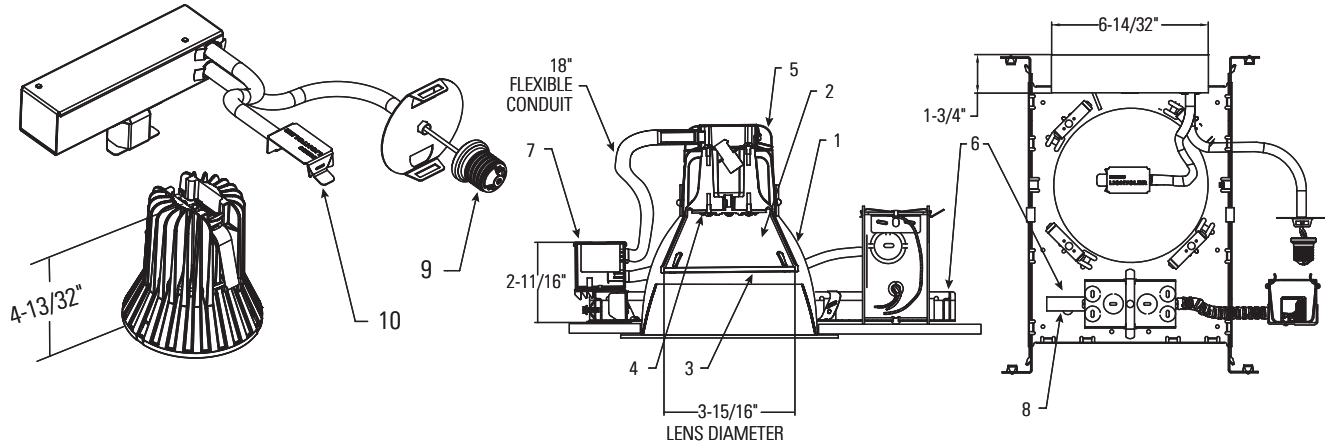
***Note:** See Page 4 for recommended dimmers.

Job Information Type:

PHILIPS
LIGHTOLIER

L56LED09SD

Lytecaster, Dimming, LED, Retrofit Kit



Features

- 1. Reflector:** See individual specification sheets for information.
- 2. Optical mixing chamber:** Designed to provide a spacing ratio of .9 (60° beam) when installed in standard Lytecaster trims. Optic design provides less glare than standard PAR lamps.
- 3. Lens:** Solite Glass lens has high transmission value with slight texturing to provide a smooth consistent beam distribution.
- 4. LED board:** Utilizes Philips Lumileds LED's.
- 5. Thermal management:** Heat sink was developed using the latest in Computational Fluid Dynamics Software. This optimized thermal design provides a 50,000 hour lifetime at 70% lumen maintenance. Cast aluminum heat sink is coated with a RoHS compliant coating (trivalent chromate) to resist corrosion in damp/wet environments.
- 6. Mounting frame:** Conversion kit can be mounted to 1102P1 and 1002P1 series rough-in sections. See individual specification sheets for information.
- 7. Power supply/enclosure:** Factory wired electronic LED driver (see Electrical section for specifications) mounted to a 22Ga galvanized steel splice box housing.
- 8. Thermal protector:** Utilizes already installed thermal protection device located on junction box of rough-in being converted.

Features (continued)

- 9. Adaptor assembly:** Male Adapting Screw is tool free and makes converting to Solid State Lighting as easy as changing an incandescent lamp. Clip Socket Bracket to existing deep drawn socket cup.
- 10. Top heat sink cover:** Tool free snap on enclosure bracket. 22-ga component houses the driver secondary tool free wire connector.

Electrical

Electronic power supply: Class 2 power unit for use in a damp or dry location (Outdoor Type1). Class A sound rated unit tolerates sustained open circuit and short circuit output conditions without damage. Complies with FCC rules per Title 47 CFR Part 15/18 Consumer limits (Class B) for EMI/RFI (conducted and radiated) at full load.

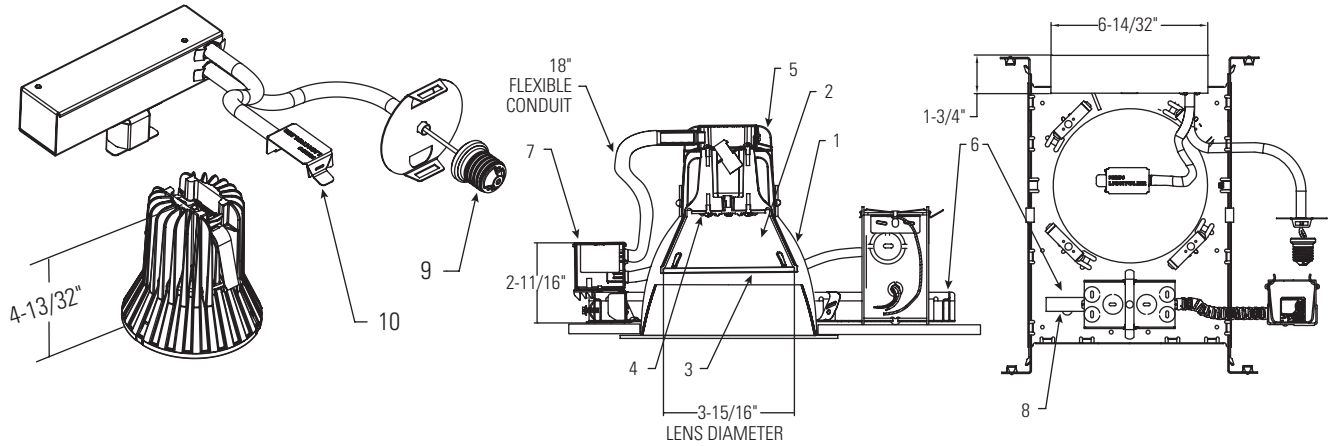
| Input voltage | Input frequency | Max input current | Max input power | Max THD | Power factor | Minimum operating temperature | % Minimum dimming |
|---------------|-----------------|-------------------|-----------------|---------|--------------|-------------------------------|-------------------|
| 120V | 50/60Hz | 0.2 | 25W | < 20% | >.9 | -20° C | < 5% |

| Job Information | Type: |
|-----------------|-------|
|-----------------|-------|

L56LED09SD

Lytecaster, Dimming, LED, Retrofit Kit

Page 4 of 6



Electrical

Dimming switch compatibility:

Note that most standard incandescent dimmers will function, but performance will vary. The dimmers listed below have the optimal performance.

HUNT dimming: 56500 PS-LED-PC-IV-120V-LT26/36 (2 wire triac)
 56501 PS-LED-PC-WH-120V-LT26/36 (2 wire triac)
 56510 PS-LED-PC-3W-IV-120V-LT26/36 (2 wire triac)
 56511 PS-LED-PC-3W-WH-120V-LT26/36 (2 wire triac)

Lightolier controls: zp260qe (requires neutral)

Lutron: NLV-600 (2 wire triac)

Leviton: IPE04-1LW (requires neutral)

6681-IW (2 wire triac)

Please Note: Product incompatible with Lutron Electronic Low Voltage dimmers.

Labels

UL wet location classified

ENERGY STAR® qualified for use with specific finishing trims (see p 4).

5 Year Warranty.



All testing conducted in accordance with IESNA LM79 and LM80 standards.

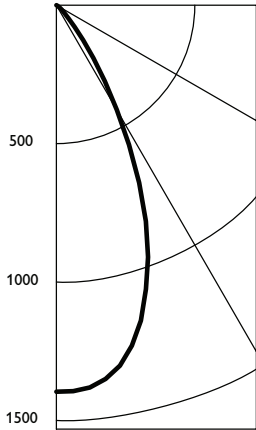
Job Information Type:

PHILIPS
LIGHTOLIER

L56LED09SD

Lytecaster, Dimming, LED, Retrofit Kit

Lytecaster LED, 2700K retro fit kit



| Angle | Mean CP |
|-------|---------|
| 0 | 1396 |
| 5 | 1386 |
| 10 | 1322 |
| 15 | 1180 |
| 20 | 868 |
| 25 | 708 |
| 30 | 437 |
| 35 | 233 |
| 40 | 103 |
| 45 | 44 |
| 50 | 25 |
| 55 | 12 |
| 60 | 5 |
| 65 | 2 |
| 70 | 0 |
| 75 | 0 |
| 80 | 0 |
| 85 | 0 |
| 90 | 0 |

Catalog No: L56LED09S27D1 / 1013

| | |
|-----------------------|-----------|
| Report No.: | F10129 |
| Total Fixture Lumens: | 976 |
| Color Temp: | 2700K |
| Input Watts: | 22.6W |
| Luminaire Efficacy | 43.2 lm/w |
| Spacing Criterion: | 0.82 |
| CRI | 82 |

Coefficients of utilization

| Ceiling | 80% | | | 70% | | | 50% | | | 0% | |
|-------------------|---|-----|-----|-----|-----|-----|-----|-----|-----|-----|-----|
| | 70 | 50 | 30 | 70 | 50 | 30 | 50 | 30 | 10 | 0 | |
| Wall | 70 | 50 | 30 | 70 | 50 | 30 | 50 | 30 | 10 | 0 | |
| RCR | Zonal Cavity Method - Effective Floor Reflectance = 20% | | | | | | | | | | |
| Room Cavity Ratio | 0 | 119 | 119 | 119 | 116 | 116 | 116 | 111 | 111 | 111 | 100 |
| | 1 | 114 | 111 | 109 | 111 | 109 | 107 | 105 | 103 | 102 | 94 |
| | 2 | 109 | 104 | 100 | 106 | 102 | 99 | 99 | 96 | 94 | 88 |
| | 3 | 104 | 98 | 93 | 102 | 96 | 92 | 94 | 90 | 87 | 83 |
| | 4 | 99 | 92 | 87 | 97 | 91 | 86 | 89 | 84 | 81 | 78 |
| | 5 | 94 | 86 | 81 | 93 | 86 | 80 | 84 | 79 | 76 | 73 |
| | 6 | 90 | 82 | 76 | 89 | 81 | 76 | 79 | 75 | 71 | 69 |
| | 7 | 86 | 77 | 72 | 85 | 77 | 71 | 75 | 71 | 67 | 65 |
| | 8 | 82 | 73 | 68 | 81 | 73 | 67 | 72 | 67 | 63 | 62 |
| | 9 | 79 | 70 | 64 | 78 | 69 | 64 | 68 | 63 | 60 | 58 |
| | 10 | 75 | 66 | 61 | 74 | 66 | 61 | 65 | 60 | 57 | 55 |

Zonal lumens and percentages

| Zone | Lumens | %Lamp | %Fixt |
|------|--------|-------|-------|
| 0-30 | 775 | N/A | 79 |
| 0-40 | 926 | N/A | 95 |
| 0-60 | 977 | N/A | 99 |
| 0-90 | 979 | N/A | 100 |

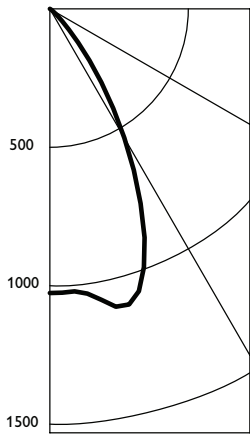
Single Unit Data

| Height to Lighted Plane | Initial Foot-Candles | Beam Diameter* |
|-------------------------|----------------------|----------------|
| 6' | 39 | 5 |
| 7' | 28 | 6 |
| 8' | 22 | 7 |

Tested using absolute photometry as specified in LM79: IESNA Approved Method for the Electrical and Photometric Measurements of Solid-State Lighting Products.

*Beam diameter is where foot-candles drop to 50% of maximum.

Lytecaster LED, 2700K retro fit kit



| Angle | Mean CP |
|-------|---------|
| 0 | 1026 |
| 5 | 1024 |
| 10 | 1067 |
| 15 | 1105 |
| 20 | 993 |
| 25 | 775 |
| 30 | 538 |
| 35 | 325 |
| 40 | 159 |
| 45 | 63 |
| 50 | 22 |
| 55 | 9 |
| 60 | 0 |
| 65 | 0 |
| 70 | 0 |
| 75 | 0 |
| 80 | 0 |
| 85 | 0 |
| 90 | 0 |

Catalog No: L56LED09S27D1 / 1113

| | |
|-----------------------|----------|
| Report No.: | F10138 |
| Total Fixture Lumens: | 1025 lms |
| Color Temp: | 2700K |
| Input Watts: | 22.7W |
| Luminaire Efficacy | 45 lm/w |
| Spacing Criterion: | 1.00 |
| CRI | 82 |

Coefficients of utilization

| Ceiling | 80% | | | 70% | | | 50% | | | 0% | |
|-------------------|---|-----|-----|-----|-----|-----|-----|-----|-----|-----|-----|
| | 70 | 50 | 30 | 70 | 50 | 30 | 50 | 30 | 10 | 0 | |
| Wall | 70 | 50 | 30 | 70 | 50 | 30 | 50 | 30 | 10 | 0 | |
| RCR | Zonal Cavity Method - Effective Floor Reflectance = 20% | | | | | | | | | | |
| Room Cavity Ratio | 0 | 119 | 119 | 119 | 116 | 116 | 116 | 111 | 111 | 111 | 100 |
| | 1 | 114 | 111 | 108 | 111 | 109 | 107 | 105 | 103 | 101 | 94 |
| | 2 | 108 | 103 | 99 | 106 | 102 | 98 | 98 | 95 | 93 | 87 |
| | 3 | 103 | 96 | 92 | 101 | 95 | 91 | 92 | 89 | 86 | 81 |
| | 4 | 98 | 90 | 85 | 96 | 89 | 84 | 87 | 83 | 79 | 76 |
| | 5 | 93 | 85 | 79 | 91 | 84 | 78 | 82 | 77 | 74 | 71 |
| | 6 | 88 | 79 | 73 | 87 | 79 | 73 | 77 | 72 | 69 | 66 |
| | 7 | 84 | 75 | 69 | 82 | 74 | 68 | 73 | 68 | 64 | 62 |
| | 8 | 80 | 70 | 64 | 79 | 70 | 64 | 69 | 64 | 60 | 58 |
| | 9 | 76 | 66 | 61 | 75 | 66 | 60 | 65 | 60 | 56 | 55 |
| | 10 | 72 | 63 | 57 | 71 | 62 | 57 | 62 | 57 | 53 | 52 |

Zonal lumens and percentages

| Zone | Lumens | %Lamp | %Fixt |
|------|--------|-------|-------|
| 0-30 | 755 | N/A | 74 |
| 0-40 | 960 | N/A | 94 |
| 0-60 | 1024 | N/A | 99 |
| 0-90 | 1025 | N/A | 100 |

Single Unit Data

| Height to Lighted Plane | Initial Foot-Candles | Beam Diameter* |
|-------------------------|----------------------|----------------|
| 6' | 29 | 6 |
| 7' | 21 | 7 |
| 8' | 16 | 8 |

Tested using absolute photometry as specified in LM79: IESNA Approved Method for the Electrical and Photometric Measurements of Solid-State Lighting Products.


*Beam diameter is where foot-candles drop to 50% of maximum.

Job Information Type:

L56LED09SD

Lytecaster, Dimming, LED, Retrofit Kit

Energy Star Lytecaster LED Retrofit Trim Compatibility Chart

| 5" Trims (1000 Series) | | | | | 6¾" Trims (1100 Series) | | | | | | | | | |
|------------------------|--------------|---------------|--------------|---------------|-------------------------|--------------|---------------|--------------|---------------|---|--------------|---------------|--------------|---------------|
| | L56LED09S271 | L56LED09S27D1 | L56LED09S351 | L56LED09S35D1 | | L56LED09S271 | L56LED09S27D1 | L56LED09S351 | L56LED09S35D1 | | L56LED09S271 | L56LED09S27D1 | L56LED09S351 | L56LED09S35D1 |
| 1005BNM | X | --- | X | --- | 1105 | X | --- | X | --- | 1132 | X | --- | X | X |
| 1005WH | X | --- | X | X | 1105NM | X | --- | X | --- | 1143 | X | X | X | X |
| 1008 | X | --- | X | --- | 1105BNM | X | X | X | X | 1144 | X | X | X | X |
| 1008NM | X | --- | X | --- | 1105WH | X | X | X | X | 1144CD | X | X | X | X |
| 1010 | X | X | X | X | 1108 | X | X | X | X | 1145 | X | X | X | X |
| 1010NM | X | X | X | X | 1108NM | X | X | X | X | 1146 | X | X | X | X |
| 1012 | X | X | X | X | 1110 | X | X | X | X | 1146CD | X | X | X | X |
| 1012NM | X | X | X | X | 1110NM | X | X | X | X | 1171 | X | X | X | X |
| 1013 | X | X | X | X | 1112 | X | X | X | X | 1176WH | X | --- | X | X |
| 1013NM | X | X | X | X | 1112NM | X | X | X | X | 1179M1 | X | --- | X | --- |
| 1013BK | --- | --- | X | --- | 1113 | X | X | X | X | 1179WH | X | --- | X | X |
| 1013BKNM | --- | --- | X | --- | 1113NM | X | X | X | X | 1184CD | X | X | X | X |
| 1013CD | X | X | X | X | 1113BK | X | --- | X | --- | 1184WH | X | X | X | X |
| 1013CDNM | X | X | X | X | 1113BKNM | X | --- | X | --- | 1190 | X | X | X | X |
| 1013WH | X | X | X | X | 1113CD | X | X | X | X | X = Meets ENERGY STAR performance levels.  ASK ABOUT ENERGY STAR | | | | |
| 1071 | X | X | X | X | 1113CDNM | X | X | X | X | | | | | |
| 1076VH | X | --- | X | X | 1113WH | X | X | X | X | | | | | |
| 1090 | X | X | X | X | 1126 | X | --- | X | --- | | | | | |



Philips Lightolier
 e: lol.webmaster@philips.com
 t: (508) 679-8131
 w: www.lightolier.com

L56LED09SD July 22, 2011

Specifications are subject to change without notice.
 © Koninklijke Philips Electronics N.V., 2010. All rights reserved.

Job Information Type: