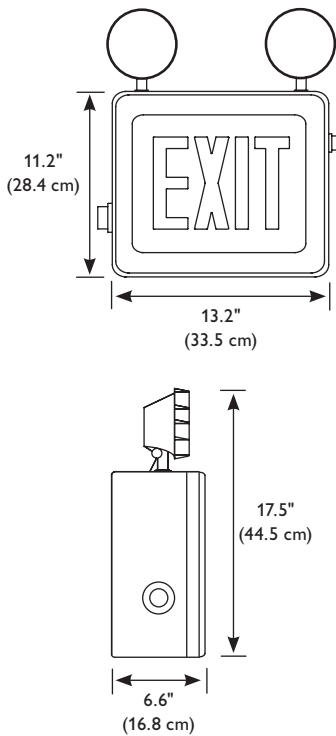


HAZARDOUS LOCATION COMBINATION LED EXIT SIGN

HX618R2HT18SD2



Features

Illumination: Illumination of the exit stencil face is accomplished with long lasting, high output LEDs, producing an average illumination level in excess of 25 ft (85.7 cd/m²) at the end of the 90 minute emergency run time. A variety of optional lamp heads provide design flexibility for egress lighting.

Housing: Constructed of impact-resistant, fiberglass-reinforced polyester. Housing color is gray with corrosion-resistant hardware and clear polycarbonate cover. The HX Series is UL listed for Class I, Division 2, Groups A, B, C & D; Class I, Zone 2, Groups IIA, IIB (+ H₂) & IIC; and Class II, Division 2, Groups F & G. The housing includes a one-piece formed gasket and corrosion-resistant hardware. Standard internal or external mounting feet provides installation flexibility.

Operating Temperature

Range: Standard location 65°F (19°C) to 85°F (30°C)

Diagnostic Electronics

(standard): 120/277 VAC dual voltage input with surge protection is standard on all models. Charging system is microprocessor driven with software embedded diagnostic routine and temperature compensation. 120/277 VAC input, surge protection, brownout, AC lockout and low voltage disconnect features are standard.

Self-Testing Diagnostics

(optional): The diagnostic/charging platform with self-testing mode automatically runs a one-minute self-test every 30 days and a 30-minute test on the sixth and twelfth month. A one-minute or 90-minute test may be initiated via the push to test switch on the unit or by activating the appropriate test command on the optional IR test device.

Electrical Specifications:

6 V 18 W Red or Green:
120 VAC, 0.133 A, PF 0.80
277 VAC, 0.058 A, PF 0.80
6 V 36 W Red or Green:
120 VAC, 0.122 A, PF 0.70
277 VAC, 0.053 A, PF 0.70
6 V 72 W Red or Green:
120 VAC, 0.129 A, PF 0.80
277 VAC, 0.056 A, PF 0.80

Code Compliance

UL 924 and 844 listed. NFPA 101, NEC, BOCA, OSHA and IBC illumination standards. Temperature Rating (T-Rating) 160° (T3C). Class I, Zone 2 T-Rating 200° (T3). IEC 61951-1 Life Testing (batteries).

Warranty

Five year full electronics warranty. One year full plus four year prorated battery warranty.

Job Information	Type:
Job Name:	
Cat. No.:	
Notes:	

HAZARDOUS LOCATION COMBINATION LED EXIT SIGN

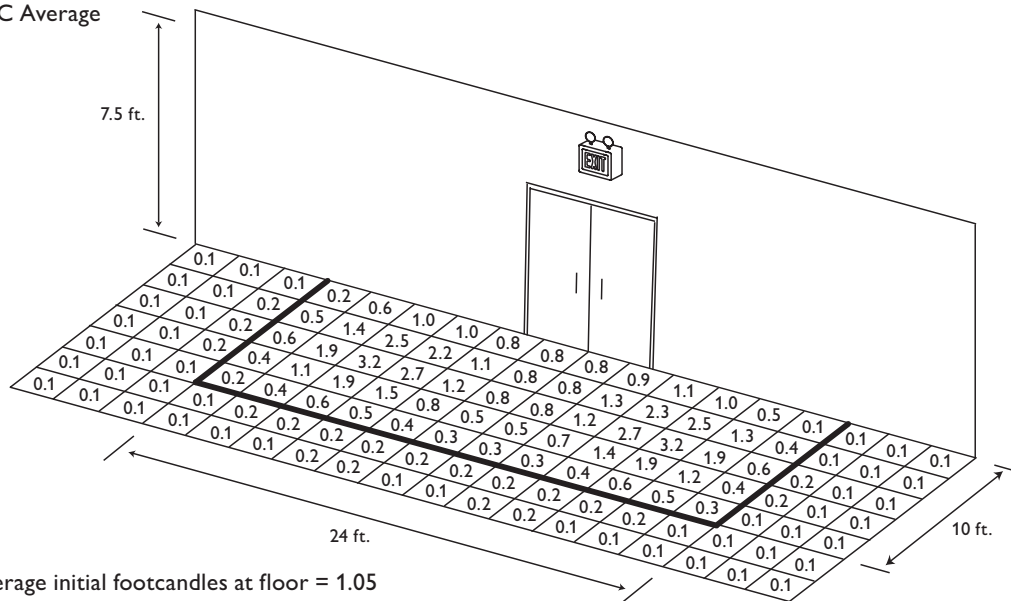
Ordering Information

HX	6					SD2	
Series	System Voltage	Battery/Wattage ³	Letter Color	# of Heads	Lamp Heads	Model Designator ¹	Factory Installed Options ²
HX = Hazardous Location Combination Exit	6 = 6 VDC	Lead Calcium 18 = 18 Watt Unit 36 = 36 Watt Unit 72 = 72 Watt Unit	R = Red G = Green	Blank = No Lamp Heads 1 = One Lamp Head 2 = Two Lamp Heads	Tungsten HT8 = 8 Watts HT18 = 18 Watts HT25 = 25 Watts Halogen HH6 = 6 Watts HH8 = 8 Watts HH12 = 12 Watts	SD2 = Diagnostic Electronics	BF = Buzzer/Flasher BZ = Buzzer EX = Special Input Transformer (specify voltage & frequency) FL = Flasher (self-powered models only) S = Shatterproof Lamp Head Lens T = Self-Testing Diagnostics (non-audible) TA = Audible Self-Testing Diagnostics TD = Time Delay
Accessories (order as a separate item)							
SDREMOTE = Infrared Remote Test Device							
WG5 = Wire Guard							
Note							
1) For self-testing models refer to options.							
2) Some option combinations may impact UL listing. Consult factory for specifics.							
3) Battery capacity to support local/remote load.							

Optics

Wall mounted 7.5' AFF, 'IH' 6 Volt 12 Watt Halogen Lamps Represented

1 FC Average



- Average initial footcandles at floor = 1.05
- Maximum initial footcandles at floor = 3.3
- Minimum initial footcandles at floor = 0.1
- Maximum to minimum ratio = 33.00

* The optics layout shown is intended to be used as reference only. Standard reflectances used were 80/50/20. Lightolier is not responsible for site specific conditions that may alter the results.



Philips Lightolier
 e: lol.webmaster@philips.com
 t: (508) 679-8131
 w: www.lightolier.com

HX Series - Combo August 5, 2011

Specifications are subject to change without notice.
 © Koninklijke Philips Electronics N.V., 2011. All rights reserved.

Job Information Type: