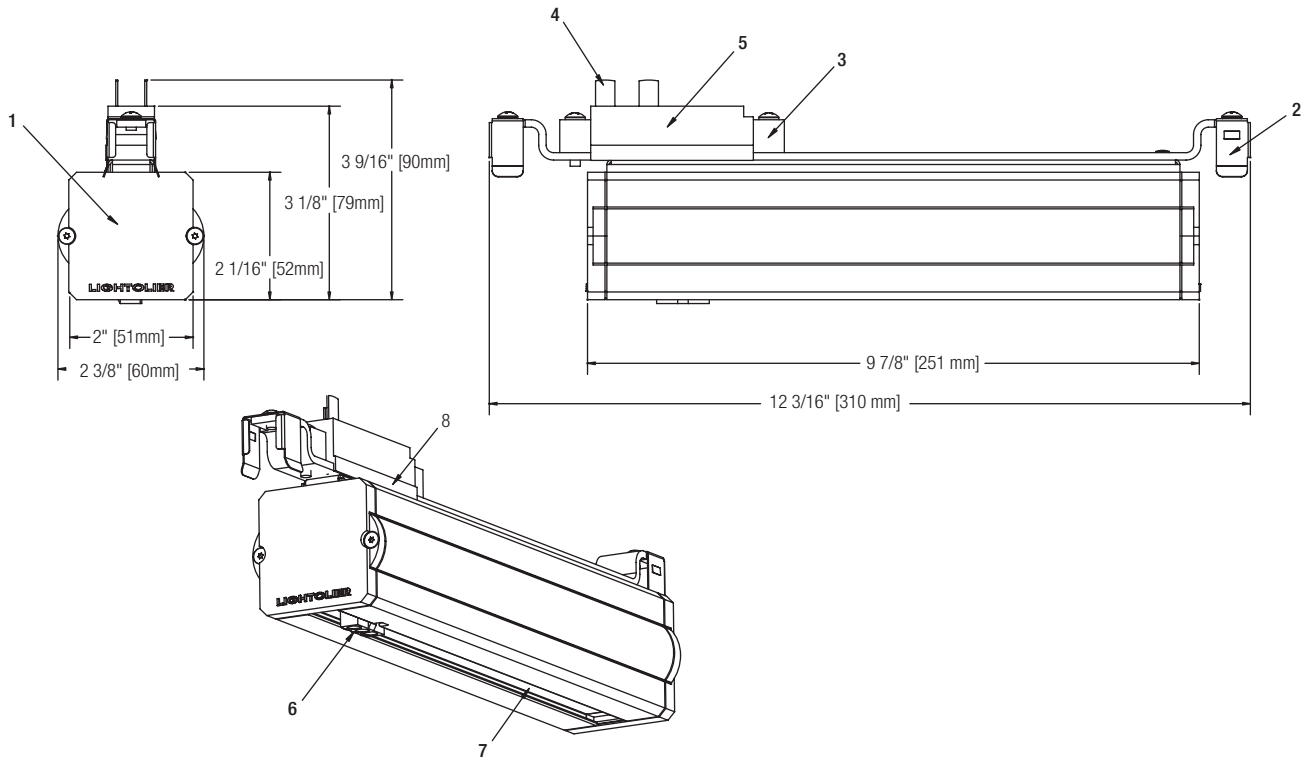




Lytespan® Accent Lighting System **HLB10E**



Ordering Information

Catalog No.	Finishes	Track Mountings	Luminaires	Lamp
HLB10EWH HLB10EBK HLB10EAL	Matte White Matte Black Metallic Aluminum	Edison Price Lighting HighLine® track system only. DO NOT USE with any other mounting accessories or install into Lightolier track systems.	Use one of Lightolier: 8300 8307 8317 8308 8318 83W7	100W Ceramic Metal Halide

Features

- Housing:** .10" thick extruded body, with die cast end caps.
- Locking Spring Clip:** Metal spring clips that mechanically lock fixture into Track.
- Plastic Adapter:** Molded plastic, houses copper contacts and current limiting fuse.
- Contacts:** Two copper alloy contacts that engage and connect to the Track power supply.
- Fuse:** 600 VAC, 5A current limiting device.
- Power Connector:** 5kv rated, insulated. Accepts power connector from fixture.
- Integral Track Groove:** To mount PowerArc™ Modular spots and wall wash fixtures.
- Polarity Guide:** Plastic detail that controls polarity by allowing the module to be installed in only one direction.

Electrical

Module grounded throughout Electronic Ballast

Input Voltage: 277 VAC 50/60 Hz
Power Factor: >0.99
Input Power: 110W
Max. Input Current: 1.3A @ 120V/.56A @ 277V
Total Harmonic Distortion: <10%
ANSI Code: M90, M140

Do not use on dimming circuit.

Finish

All painted finishes are baked enamel.

Labels

UL, cUL

Job Information	Type:
Job Name:	
Cat. No.:	
Lamp(s):	
Notes:	

Lightolier a Genlyte company www.lightolier.com
 631 Airport Road, Fall River, MA 02720 • (508) 679-8131 • Fax (508) 674-4710
 We reserve the right to change details of design, materials and finish.
 © 2007 Genlyte Group LLC • A0507

LIGHTOLIER®