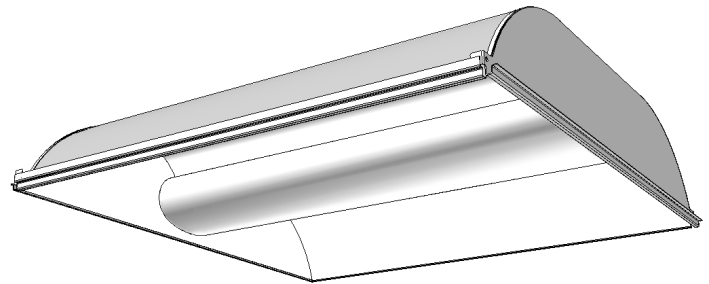


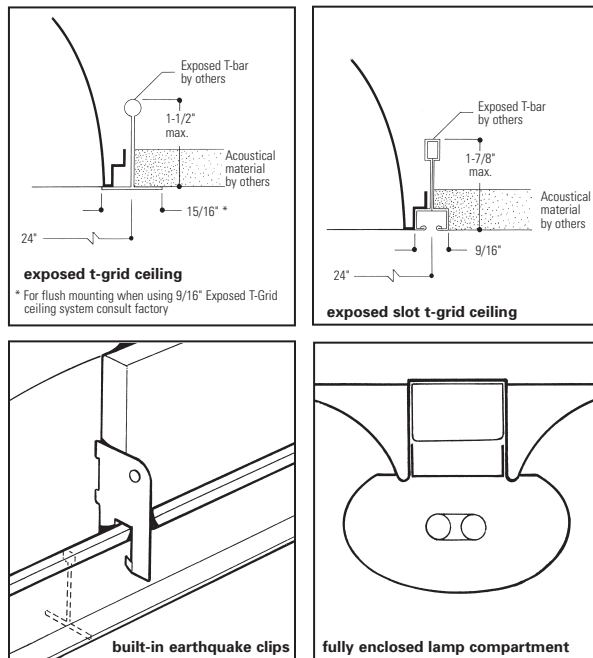
HP90 Recessed Fluorescent **H9S2GLR1FT**

Features

- 72.9% efficient.
- Direct/indirect appearance with soft contoured interior.
- Lens encloses lamp compartment.
- Translucent DR acrylic high light transmission linear prismatic lens.
- Tension screws secure ends to body.
- Same fixture fits both G and T ceiling types.
- Fits flush to face of slot grid (T) ceiling types.
- Lamp shield opens from either side.
- 95% reflective specular aluminum reflector.
- Ballast accessible from room side.
- Built-in earthquake clips.
- Can be continuous row mounted.
- Wiring access plate standard.
- Optional DALI ballast i GEN TECHNOLOGY accepts digital dimming controllers, scene controllers and automatic control devices.
- Construction to meet NYC Code or Chicago Plenum available.

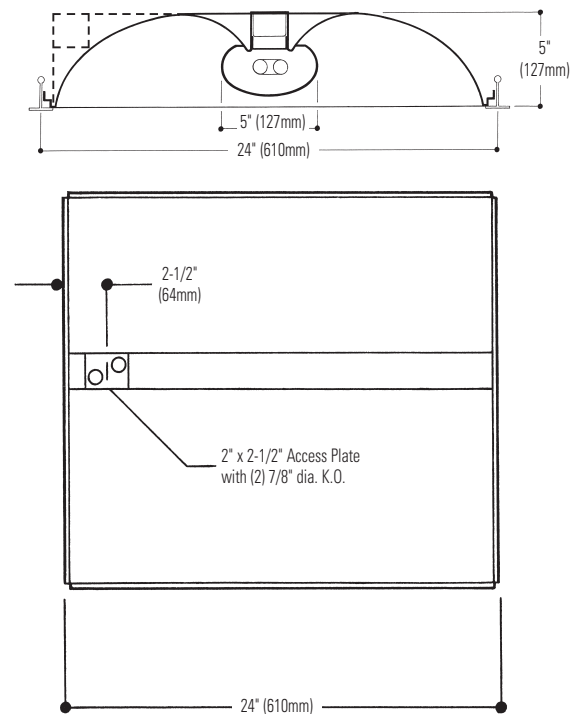


Mounting Methods



* If emergency pack or 2nd ballast are used access is gained through the adjacent ceiling tile.

Dimensions



Job Information Type:

Job Name:

Cat. No.:

Lamp(s):

Volts/Ballast:

HP90 Recessed Fluorescent **H9S2GLR1FT**

Direct/Indirect – 2' x 2' with Acrylic Linear Prismatic Lens
Static, 1 Lamp TT5

Model No. H9S2GLR1FTUNVPR

LER = FP - 61.2 IW - 37.55 BF - 1.0
Comparative yearly lighting energy cost per
1000 lumens = \$3.92

Report Number: G2006149
Catalog Number: H9S2GLR1FTUNVPR
Lamps: F40BX/SPX30/IS
Luminaire: HP90 2' x 2' with linear
prismatic lens.
Ballast: C240PUNVHP-B/UNV
Report is based on 3150 Lumens per lamp.
Efficiency: 72.9%
CIE Type-Direct-Indirect
Plane: 0-Deg 90-Deg
Spacing Criteria: 1.2 1.2
Shielding Angles: 90 90
Plane: 0-Deg 90-Deg
Luminous Length: 22.800 22.800

CANDELA DISTRIBUTION

	0.0	45.0	90.0	FLUX
0	876	876	876	
5	868	872	876	83
15	836	841	845	238
25	776	776	772	357
35	685	685	646	416
45	560	518	528	410
55	400	373	413	348
65	230	248	318	260
75	97	149	195	155
85	19	24	19	31
90	2	2	2	

COEFFICIENTS OF UTILIZATION – ZONAL CAVITY METHOD. EFFECTIVE FLOOR CAVITY REFLECTANCE 0.20

RC	80			50			30		
RW	70	50	30	50	30	10	50	30	10
1	80	76	73	71	69	67	69	67	65
2	73	67	62	63	59	56	60	57	54
3	66	59	53	55	51	47	53	49	46
4	61	52	46	49	44	40	48	43	40
5	56	47	40	44	39	35	43	38	40
6	52	42	36	40	35	31	39	34	30
7	48	38	32	37	31	27	36	31	27
8	45	35	29	34	28	24	33	28	24
9	42	32	26	31	26	22	30	25	22
10	39	30	24	29	24	20	28	23	20

ZONAL LUMEN SUMMARY

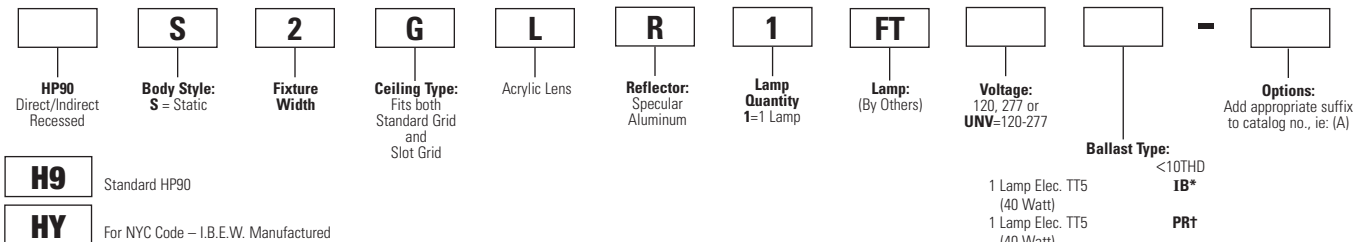
ZONE	LUMENS	% LAMP	% FIXT
0- 30	678	21.5	29.5
0- 40	1093	34.7	47.6
0- 60	1851	58.8	80.6
0- 90	2296	72.9	100.0
90-180	0	0.0	0.0
0-180	2296	72.9	100.0

LUMINANCE DATA IN CANDELA/SQ. METER

AVERAGE IN DEG.	AVERAGE 0-DEG.	AVERAGE 45-DEG.	AVERAGE 90-DEG.
45	2174.	2011.	2049.
55	1914.	1789.	1976.
65	1494.	1611.	2065.
75	1029.	1580.	2068.
85	598.	765.	598.

Ordering Information

Explanation of Catalog Number. Example: H9S2GLR1FTUNVPR



Options/Accessories

Fusing: Internal fast blow fusing: SUFFIX: **A**.
Internal slow blow fusing: SUFFIX: **C**.
Drywall Kit: Order Catalog Number: **FK92X2**.
Electrical Wiring Options: Consult factory.
For motion or light sensor: See Folio OA20-10.

Specifications

Performance: In an installation of 1 lamp 40W luminaires in a room cavity ratio of 1, with reflectance 80% ceiling, 50% wall, 20% floor, the C.U. shall not be less than .96. To reduce glare the average brightness at 65° shall not exceed 2617 candelas per square meter. To control veiling reflections, luminaire output in the 30°-90° zone shall not be less than 69.5%.

Materials: Chassis parts are die-formed code gauge steel.
Lamp Shield: Linear prismatic translucent DR acrylic lens.
Finish: Chassis exterior – baked white acrylic enamel. **Cavity** – baked flat white acrylic enamel. Rust preventative undercoating. **Reflector** – low iridescence specular aluminum 95% reflectance.

Specifications (Continued)

Electrical: Thermally protected class "P" ballast C.B.M. approved, non PCB. If K.O. is within 3" of ballast, use wire suitable for at least 90°.
UL Listed for damp locations.
Labels: I.B.E.W./UL and ULc Listed.
This product may have a mercury containing lamp. Manage in accord with Disposal Laws. See: www.lamprecycle.org

Job Information Type: