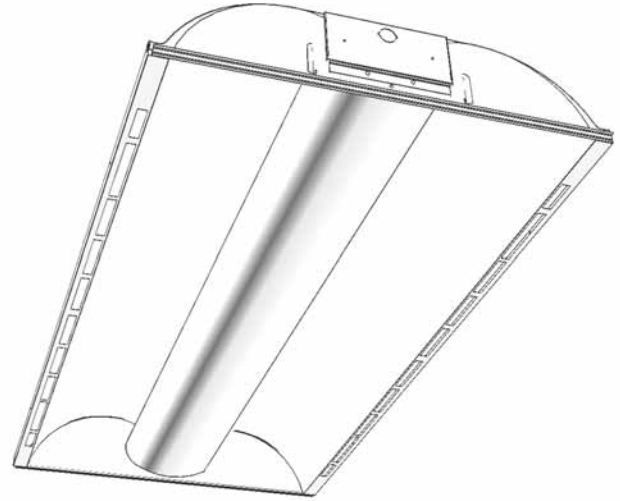
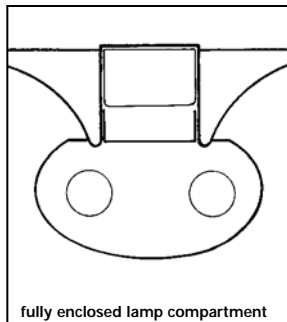
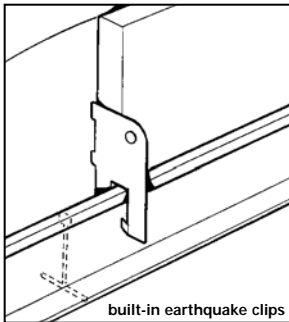
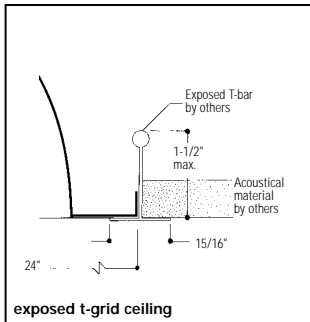


Features

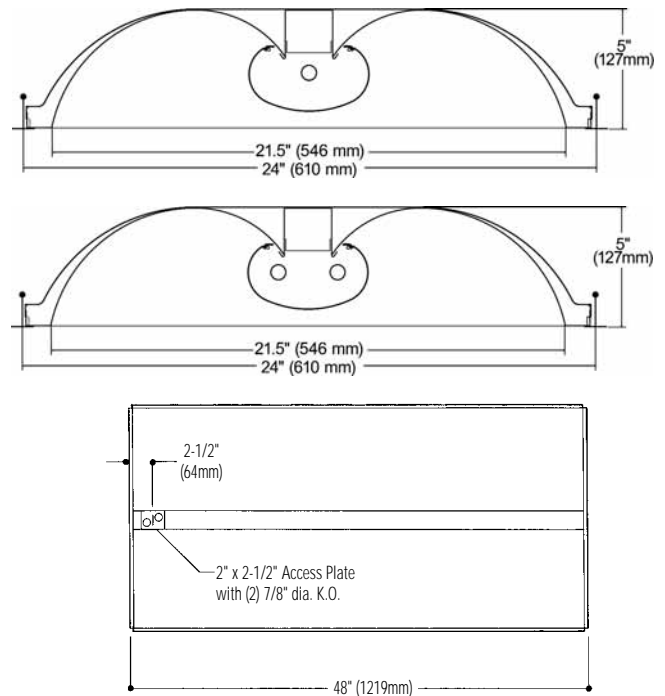
- 84.6% efficient (2 lamp, 54W).
- 81.0% efficient (1 lamp, 54W).
- Direct/indirect appearance with soft contoured interior.
- Air supply or return.
- Air return models meet UL 1598, Paragraph 9.2.2.5 requirements.
- Lens encloses lamp compartment.
- Translucent DR acrylic linear prismatic lens.
- Tension screws secure ends to body.
- Same fixture fits both G and T ceiling types.
- Fits flush to face of slot grid (T) ceiling types.
- Lamp shield opens from either side.
- 95% reflective specular aluminum reflector.
- Ballast accessible from room side.
- Built-in earthquake clips.
- Can be continuous row mounted.
- Wiring access plate standard.
- Optional DALI ballast iGEN TECHNOLOGY accepts digital dimming controllers, scene controllers and automatic control devices.
- Construction to meet NYC Code or Chicago Plenum available.



Mounting Methods



Dimensions



Job Information	Type:
Job Name:	
Cat. No.:	
Lamp(s):	
Volts/Ballast:	

For Factory Technical Information: (978) 657-7600 • Fax (978) 658-0595
631 Airport Road, Fall River, MA 02720 • (508) 679-8131 • Fax (508) 674-4710
www.lightolier.com © 2008 a Philips Group

03/08

Section 5/Folio M32-34

Direct/Indirect Fluorescent – 2' x 4' with Acrylic Linear Prismatic Lens Air Supply or Return, 1 or 2 Lamp T5

Model No. H9A2GLR154UNVPG

LER = FP - 57.1 IW - 62.4 BF - 1.0
Comparative yearly lighting energy cost per 1000 lumens = \$4.20

Report Number: G2006154
Catalog Number: H9A2GLR154UNVPG
Lamps: F54 T5 HO
Luminaire: HP90 2' x 4' with linear prismatic lens.
Ballast: Advance ICN-2S54 UNV PG
Report is based on 4400 Lumens per lamp.
Efficiency: 81.0%
CIE Type-Direct-Indirect
Plane: 0-Deg 90-Deg
Spacing Criteria: 1.3 1.2
Shielding Angles: 90 90
Plane: 0-Deg 90-Deg
Luminous Length: 47.760 23.760

CANDELA DISTRIBUTION

	0.0	45.0	90.0	FLUX
0	1393	1393	1393	
5	1374	1395	1411	133
15	1323	1360	1366	382
25	1235	1232	1213	566
35	1101	1028	1017	651
45	889	796	818	631
55	598	566	642	529
65	319	390	545	410
75	121	241	317	239
85	10	10	10	24
90	2	2	2	

ZONAL LUMEN SUMMARY

ZONE	LUMENS	% LAMP	% FIXT
0- 30	1081	24.6	30.3
0- 40	1732	39.4	48.6
0- 60	2892	65.7	81.1
0- 90	3566	81.0	100.0
90-180	0	0.0	0.0
0-180	3566	81.0	100.0

LUMINANCE DATA IN CANDELA/SQ. METER

AVERAGE IN DEG.	AVERAGE 0-DEG.	AVERAGE 45-DEG.	AVERAGE 90-DEG.
45	1717.	1537.	1580.
55	1424.	1347.	1528.
65	1031.	1260.	1761.
75	638.	1271.	1672.
85	157.	157.	157.

COEFFICIENTS OF UTILIZATION – ZONAL CAVITY METHOD. EFFECTIVE FLOOR CAVITY REFLECTANCE 0.20

RC	80	50	30	10	50	30	10
RW	70	50	30	10	50	30	10
1	89	85	82	80	77	75	73
2	81	74	69	70	66	62	64
3	74	66	59	62	57	53	60
4	68	58	51	55	50	45	53
5	63	52	45	50	44	39	48
6	58	47	40	45	39	35	44
7	54	43	36	41	35	31	40
8	50	39	33	38	32	28	37
9	47	36	30	35	29	25	34
10	44	33	27	32	27	23	31

Model No. H9A2GLR254UNVPG

LER = FP - 66.5 IW - 112.39 BF - 1.0
Comparative yearly lighting energy cost per 1000 lumens = \$3.61

Report Number: G2006118
Catalog Number: H9A2GLR254UNVPG
Lamps: F54 T5 HO
Luminaire: HP90 2' x 4' with linear prismatic lens.
Ballast: B254UNV-E
Report is based on 4400 Lumens per lamp.
Efficiency: 84.6%
CIE Type-Direct-Indirect
Plane: 0-Deg 90-Deg
Spacing Criteria: 1.3 1.4
Shielding Angles: 90 90
Plane: 0-Deg 90-Deg
Luminous Length: 46.800 22.800

CANDELA DISTRIBUTION

	0.0	45.0	90.0	FLUX
0	2340	2340	2340	
5	2320	2339	2354	223
15	2228	2326	2406	658
25	2079	2280	2417	1044
35	1851	2134	2220	1303
45	1548	1790	1827	1348
55	1173	1345	1428	1197
65	771	963	1099	950
75	383	625	665	597
85	75	95	60	125
90	0	0	0	

ZONAL LUMEN SUMMARY

ZONE	LUMENS	% LAMP	% FIXT
0- 30	1926	21.9	25.9
0- 40	3229	36.7	43.4
0- 60	5774	65.6	77.5
0- 90	7446	84.6	100.0
90-180	0	0.0	0.0
0-180	7446	84.6	100.0

LUMINANCE DATA IN CANDELA/SQ. METER

AVERAGE IN DEG.	AVERAGE 0-DEG.	AVERAGE 45-DEG.	AVERAGE 90-DEG.
45	3179.	3676.	3752.
55	2970.	3405.	3615.
65	2649.	3309.	3776.
75	2149.	3507.	3731.
85	1250.	1583.	1000.

COEFFICIENTS OF UTILIZATION – ZONAL CAVITY METHOD. EFFECTIVE FLOOR CAVITY REFLECTANCE 0.20

RC	80	50	30	10	50	30	10
RW	70	50	30	10	50	30	10
1	92	88	84	82	79	77	74
2	83	76	70	71	67	63	69
3	76	67	59	63	57	52	60
4	69	59	51	56	49	44	54
5	64	52	45	50	43	38	48
6	59	47	39	45	38	33	43
7	54	43	35	41	34	29	39
8	50	39	32	37	31	26	36
9	47	36	29	34	28	24	33
10	44	33	26	31	25	21	31

Ordering Information

Explanation of Catalog Number. Example: H9A2GLR254UNVPGGLR

<div style="border: 1px solid black; width: 40px; height: 20px; margin: 0 auto;"></div> <p>HP90 Direct/Indirect Recessed</p>	<div style="border: 1px solid black; width: 40px; height: 20px; margin: 0 auto; text-align: center;">A</div> <p>Body Style: A = Air Supply or Return</p>	<div style="border: 1px solid black; width: 40px; height: 20px; margin: 0 auto; text-align: center;">2</div> <p>Fixture Width</p>	<div style="border: 1px solid black; width: 40px; height: 20px; margin: 0 auto; text-align: center;">G</div> <p>Ceiling Type: Fits both Standard Grid and Slot Grid</p>	<div style="border: 1px solid black; width: 40px; height: 20px; margin: 0 auto; text-align: center;">L</div> <p>Acrylic Lens</p>	<div style="border: 1px solid black; width: 40px; height: 20px; margin: 0 auto; text-align: center;">R</div> <p>Reflector: Specular Aluminum</p>	<div style="border: 1px solid black; width: 40px; height: 20px; margin: 0 auto;"></div> <p>Lamp Quantity 1=1 Lamp 2=2 Lamp</p>	<div style="border: 1px solid black; width: 40px; height: 20px; margin: 0 auto; text-align: center;">54</div> <p>Lamp: (By Others) 54=T5 54W (Nominal 48")</p>	<div style="border: 1px solid black; width: 40px; height: 20px; margin: 0 auto;"></div> <p>Voltage: 120, 277 or UNV=120-277</p>	<div style="border: 1px solid black; width: 40px; height: 20px; margin: 0 auto;"></div> <p>Ballast Type: <20THD <10THD – PG †† 1 Lamp Elec. T5 HO (54 Watt) 2 Lamp Elec. T5 HO (54 Watt) ††Program Rapid Start (UNV only)</p>	<div style="border: 1px solid black; width: 40px; height: 20px; margin: 0 auto;"></div> <p>Options: Lamps Flex EM Pack Fuse (Consult your representative)</p>
<div style="border: 1px solid black; width: 40px; height: 20px; margin: 0 auto; text-align: center;">H9</div> <p>Standard HP90</p>										
<div style="border: 1px solid black; width: 40px; height: 20px; margin: 0 auto; text-align: center;">HY</div> <p>For NYC Code – I.B.E.W. Manufactured</p>										
<div style="border: 1px solid black; width: 40px; height: 20px; margin: 0 auto; text-align: center;">HN</div> <p>For NYC Code – Local 3 Manufactured</p>										

Options/Accessories

Drywall Kit: Order Catalog Number: **FK92X4**.
Electrical Wiring Options: Consult factory.
For motion or light sensor: See Folio OA20-10.

Specifications

Performance: In an installation of 2 lamp 54W luminaires in a room cavity ratio of 1, with reflectance 80% ceiling, 50% wall, 20% floor, the C.U. shall not be less than .88. To reduce glare the average brightness at 65° shall not exceed 3776 candelas per square meter. To control veiling reflections, luminaire output in the 30°-90° zone shall not be less than 74.1%.
Materials: Chassis parts are die-formed code gauge steel.
Lamp Shield: Linear prismatic translucent DR acrylic lens.
Finish: Chassis exterior – baked white acrylic enamel. Cavity – baked flat white acrylic enamel. Phosphate undercoating. Reflector – low iridescence specular aluminum 95% reflectance.

Specifications (continued)

Electrical: Thermally protected class "P" ballast C.B.M. approved, non PCB. If K.O. is within 3" of ballast, use wire suitable for at least 90°.
UL Listed for damp locations.
Labels: I.B.E.W./UL and ULc Listed.
This product may have a mercury containing lamp. Manage in accord with Disposal Laws. See: www.lamprecycle.org

Job Information

Type:

For Factory Technical Information: (978) 657-7600 • Fax (978) 658-0595
631 Airport Road, Fall River, MA 02720 • (508) 679-8131 • Fax (508) 674-4710
We reserve the right to change details of design, materials and finish.
www.lightolier.com © 2008 a Philips Group